

# vwheritage



**TYPE 25**  
CATALOGUE 2017  
ISSUE 1



[VWHERITAGE.COM](http://VWHERITAGE.COM)

# vwheritage



“

**Thank you for picking up the latest VW Heritage Type 25 Catalogue. Along with our new website, it should provide pretty much all you need to keep your Volkswagen camper, van or bus on the road.**

If you can't find a particular part listed don't panic, give us a call. We are adding new items all the time, and as UK Partner for VW Classic Parts we can source over 40,000 additional obsolete parts direct from Volkswagen's warehouses in Wolfsburg.

Since the last Type 25 Catalogue our range has almost doubled in size. We have invested in more manufacturing of our own parts, and created additional kits with all the parts you need for a job, in one place, for an even better price.

We'd love you to come and visit us at our warehouse and shop in Shoreham-by-Sea. If you are travelling down for a specific item, or have a large order to place why not take advantage of our Click & Collect service, so the parts can be ready for you when you get here.

If you live locally our VW Heretics evening meets occur on the third Thursday of the month between April and September and are a great way to meet other VW owners. With over 200 VW vehicles on average, hot food and drinks available, plus our shop open 7-9pm they can be a great evening out for all the family.

For those who live a bit further afield, or even internationally it is always great to hear from you. We are very proud of the fact that we regularly supply parts to VW

enthusiasts in over 100 countries around the world. If you can spare a few minutes, please leave some online feedback on the parts you have received. It'll help other Type 25 owners, and someone else's review might just help you.

Posting pictures on Social Media? Let us have a look too **@vwheritage** **#vwheritage**

Enjoy your Type 25, and we hope to hear from you soon.

*Barney*

”



**WHY USE US?**

VW Heritage is run by enthusiasts who live and breathe VWs. It's what makes us what we are; Parts Specialists. Got a question? Chances are one of us has asked it too, and now we know the answer! Our warehouse is full with more than 19,000 lines; we should be able to help no matter what your part requirements are.

**PRICED TO SELL**

We strive to have the most competitive prices out there – if you've seen it somewhere cheaper we will aim to beat it... and if we can't it probably means ours is better! All prices include VAT at 20%.

**THAT'S NOT RIGHT**

Got a washer when you needed a window? Give us a call and we will get on it straight away. Be it a supplier error or just a plain human mistake, we will do our best to rectify all issues within 24 hours.

**ERMM, IT SHOULDN'T BE LIKE THIS?**

So an elephant's sat on the box? Please, please have a look in it now. Check the contents of every order, if there's a problem to sort we need to know ASAP.

**QUALITY PARTS**

All parts are sold with at least a standard one year warranty (excluding a few specific items) As much as we would love to say nothing ever breaks – it does happen, so give us a call and we will make sure it gets sorted. Let us have a look too, a picture speaks a thousand words.

**DIDN'T NEED THAT BIT AFTER ALL**

Our 30 Day no quibble returns policy is simple. Complete the form on our website or give us a call and we will give you a specific returns number for the unwanted items. Had the part longer? Parts can be returned up to 90 days, subject to a 20% handling charge. See terms and conditions for full details. - [www.vwheritage.com/returns](http://www.vwheritage.com/returns)

**COME ON DOWN**

Our doors are open 9am to 5.30pm in the week and 9am to 1pm on a Saturday. If you are making the journey for a specific part why not call us first, we can get it reserved on an order for you so it doesn't sell in the meantime.

**SO WHAT NOW**

You can order online at [www.vwheritage.com](http://www.vwheritage.com) from the comfort of your own living room, and with free carriage available on most orders over £35 it's almost too easy! If you have a question, how about calling our mail order hotline 01273 444 000. We can offer you the advice you need, and if you order before 3pm we can usually get your parts to you by the next working day.

**PAYMENT**

**We accept the following forms of payment:** Cash - Shop customers only • Credit/Debit Card - Visa, Mastercard • Bank Transfer by arrangement • Paypal

**THOUSANDS OF CLASSIC AND PERFORMANCE PARTS FROM THE VW EXPERTS**

A full list of our terms and conditions of sale are available on request. All pictures and drawings in this catalogue are general and may not relate to a specific part. © 2017 by VW Heritage Parts Centre Ltd. No part of this catalogue may be reproduced without written permission from VW Heritage. Street Style And Power & VW Heritage are trading names of VW Heritage Parts Centre Limited. Registered in England & Wales. Company No.3294341. VAT Number GB248 3174 96. E. & O.E. All offers/prices are subject to change without prior notice and can be changed at any time.

<b>TYPE 4 ENGINES</b>	<b>12</b>
<b>WATERBOXER ENGINES</b>	<b>18</b>
<b>DIESEL ENGINES</b>	<b>26</b>
<b>GEARBOX &amp; CLUTCH</b>	<b>32</b>
<b>EXHAUSTS &amp; FUEL TANKS</b>	<b>38</b>
<b>SUSPENSION &amp; STEERING</b>	<b>44</b>
<b>WHEELS &amp; BRAKES</b>	<b>50</b>
<b>CABLES &amp; CONTROLS</b>	<b>54</b>
<b>BODY &amp; TRIM</b>	<b>60</b>
<b>INTERIOR</b>	<b>74</b>
<b>ELECTRICAL</b>	<b>78</b>
<b>CAMPING &amp; LEISURE</b>	<b>90</b>
<b>TOOLS &amp; CONSUMABLES</b>	<b>102</b>

# VW CLASSIC PARTS

Could be the answer to your prayers

Our partnership with VW Classic Parts is helping enthusiasts all over the UK to track down those missing pieces for their projects from the very source that the parts came from in the first place.



It's been 6 years since we became UK partners for VW Classic Parts, and we continue to unearth the missing components for our customer's projects. Whether you need a single screw or a complete side panel it could be sat on a shelf at the VW Classic Parts warehouse just waiting for you to call us!

VW Classic Parts have put all the hard work in, gathering such a huge stock holding from dealerships and warehouses around the world, and now it is for us all to reap the benefits.

#### **Barney Dines, VW Heritage Managing Director explains more.**

*"This resource is invaluable to the classic VW community, and we are privileged to be in a position to offer these parts to new and existing VW Heritage customers. It's not just parts for the vintage Volkswagen models either, there's thousands of parts for VWs from the 80's, 90's and early 00's too."*

#### **Stefan Neubacher, Managing Director at VW Classic Parts commented on this growing working relationship.**

*"VW Heritage have been a pleasure to work with since we appointed them as an official partner in 2011. Their team is made up of enthusiasts, which really helps when advising and selling the parts we have on offer at VW Classic Parts. The amount of knowledge within the team is huge, and the service they offer is great. We look forward to continuing to work together in the future for the good of the classic VW community, and keeping the real heritage of the Volkswagen brand alive".*

VW Classic Parts have over 44,000 parts listed in their inventory; a number that dwarfs our current 18,000 part lines and really puts into perspective the importance of this partnership for the global VW scene. It will no doubt be responsible for keeping many VWs on the road for decades to come.

# VW HERITAGE

## Becomes a TÜV accredited parts manufacturer

Having passed the strictest of audits for German TÜV Quality Management Processing, we are proud to say VW Heritage is now a certified and approved TÜV manufacturer.



**With this coveted TÜV approved production standard, we have been able to receive TÜV certifications on all our SSP Cosmic, SSP Fook, and SSP Gasburner wheels, and we plan for more TÜV certified wheels to follow.**

### WHAT IS IT ALL ABOUT?

The German Ministry of Transport only accepts non-standard parts installed on cars which are tested and certified by the German TÜV. This certification process is well known for its very high safety requirements and is enforced by the German TÜV and the German Police force.

Our intention is to manufacture SSP wheels to comply fully with TÜV requirements for use in the German market.

Whilst this is great news for our German customers, for those that the TÜV doesn't yet apply to, it is a guarantee of maximum durability and safety with regards to fitment as passed and approved by the TÜV Certification Tests.

### WHAT DOES THIS MEAN FOR YOU?

Although currently only legislation in Germany, there are drafts made for an EU-wide TÜV testing system that will become standard in mainland Europe and set to head across the channel to the UK in the next few years. TÜV approval will be required for all non standard additions you make to your vehicle.



## CARRIAGE COSTS

We operate a fast and efficient mail order system.

Delivery prices are shown in the table and include VAT @ 20%. Exports outside Europe are priced individually.

All goods sent by ourselves are fully insured against loss and damage. We make sure you get your parts in perfect condition wherever you are.

On receipt of your parcel, always check the goods before signing. If there are any damaged, missing or incorrect parts we need to know within one working day of delivery. This will enable us to sort out any problem quickly!

### A = Normal orders

### B = Glass, panels, front axles & bumpers

### C = Engines, gearboxes, complete Bus front panels & bonnets

Glass - Mail orders containing glass require special packaging (this is an additional charge). This will be refunded if the packaging is returned.

UK Mainland, Scottish Highlands, & Isle Of Wight			
Order value	A	B	C
Up to £19.99	£4.00	£8.00	£40.00
£20.00 - £74.99	£6.50	£10.00	£40.00
£75+	£9.50	£16.50	£40.00

Scottish Islands, Northern Ireland, Channel Islands, Scilly Isles & Isle of Man			
Order value	A	B	C
Up to £19.99	£4.00	£15.50	£80.00
£20.00 - £74.99	£9.50	£17.50	£80.00
£75+	£12.50	£22.50	£80.00

Eire, Belgium, Luxembourg, Germany & France			
Order value	A	B	C
Up to £19.99	£8.00	£22.50	£80.00
£20.00 - £74.99	£13.50	£31.00	£80.00
£75+	£20.00	£35.00	£80.00

All other European & Worldwide destinations - please call our sales team for a quote.

We have included all the parts we stock for the Type 25 model range at the time of going to press. If you can't find the part you need please give us a call as we may have added it to our range since the catalogue has been printed.

## HOW TO USE THIS CATALOGUE

With so many different parts available it can be confusing trying to work out the parts you need. We have tried to make this as clear as possible with comprehensive diagrams and photographs. Below is a breakdown of our price panels so ordering the correct part is straight forward and hassle free.

Number of diagram / Photograph			
Title & description of parts	Part number	Price	
1 <b>Core plug</b> , 36.6mm	036-103-113/A	each	
2 <b>Crank seal</b> , with flange	068-103-171/F	each	
3 <b>Crank oil seal housing gasket</b>	026-103-181/B	each	
4 <b>Bolt</b> , M6 x 18	N01-021-612	each	
5 <b>Washer</b> , 7 x 14 x 0.8	N01-223-45	each	
6 <b>Bolt</b>	N01-022-76	each	
		Unit of sale	

### Abbreviations used in the catalogue

**NCA** = Not Currently Available - This part has been included as we believe it may become available in the future.

**NLA** = No longer available.

**TBA** = To be announced - This is a brand new product.

**CALL** = The price and supply of this part can fluctuate please call for a quote.

**>7/78** = Up to July 1978.

**8/78>** = August 1978 onwards.

## HAVE YOU VISITED OUR BLOG?

VW related stories published most days. Shows, technical articles, vehicles spotted for sale - **Check it out!**



# UNDERSTANDING Your Type 25

The Volkswagen Type 25 (also referred to as T3 or Vanagon) was the third generation VW Transporter. It followed on from the success of the Bay-window and Split-screen but was fundamentally a completely new vehicle.

The new design featured a wider, blockier, heavy set stance, reflecting the architecture and fashion of the late 70s and early 80s. Mechanically, the main design change from its predecessor was the more reliable and harder wearing coil and strut suspension assembly and a more efficient front disc braking system.

Production started at Hanover in May 1979 and a selection of different models were on offer.

- **The Transporter, in the form of a panel van, fitted with either a single or twin sliding door.**
- **A Pick-up with either a single cab, or a double cab with single crew door on the passenger side.**
- **The Microbus with a single or double sliding door and windows on every quarter.**
- **The Caravelle was launched a little later; it offered much the same as the Microbus but boasted a higher level of interior trim.**



Early Type 25s were equipped with either a 1600cc (50bhp) CT or 2000cc (70bhp) CU/CV air-cooled, flat four engine. Initially both were fed by carburettors, however in 1980 the first of the 2000cc fuel injected models rolled off the production line. 1981 saw the first ever water-cooled VW Bus; it had a 50hp 1600cc inline 4 cylinder diesel engine in the back and marked a new high in fuel economy for commercial Volkswagen vehicles.

The Caravelle model was also debuted in 1981, which offered a more luxurious interior and larger range of exterior colours; it was certainly more than just a van with windows. Before the year was out Volkswagen had added the 1900cc DF and DG 'Wasserboxer' to the range. With the DG producing a healthy 78bhp it was only a matter of months before both the aircooled engines were retired from service and Volkswagen only offered the WBX and Diesel power plant.

It was in 1985 that VW unveiled the Syncro name and a 4 wheel drive version of the Type 25 was let loose on the world. With raised and upgraded suspension and a centre coupling capable of working through vicious angles, the all-terrain Transporter can apparently ascend up to a 54% gradient.

By 1986, Volkswagen had added the fuel injected 2100cc water-cooled engine to the Type 25 range, this ran alongside rather than replaced the 1900cc version. The Diesel models were also refreshed with the 1600cc model receiving a turbocharger, and the naturally aspirated motor being enlarged to 1700cc.

From 1986 in a bid to appear more modern a plastic bumper and body kit was offered along with optional alloy wheels and a number of top end models were equipped with rectangular headlights. Breakthroughs in corrosion prevention at the time means post 1986 models are less susceptible to corrosion, and are considered slightly more desirable.

The 'Caravelle, being top of the range was always a favourite for camping conversions like the VW approved Westfalia models, which were available with elevating roof and boasted luxurious interiors, and full camping ancillaries such as sinks, refrigerators and a propane gas burner.

Also worth noting are the coach built conversions which relied on the VW cab and chassis, but bolted a small house onto the back. The Karmann Gypsy and Cheetah were probably the most popular, although others such as the Tischler were also available at the time.

1990 saw production come to a close at the Volkswagen factory in Hanover, however production continued in Uitenhage, South Africa until 2002. It was here that other versions were produced specifically for the South African and North American market such as the 2600cc Caravelle, known as the 'Exclusiv.'

A couple of performance models were produced based on the Type 25. The Oettinger WBX6 was powered by a fuel injected 3700cc 180bhp, 6 cylinder water-cooled boxer motor, and was destined for the dealerships until being dropped at the last minute. Oettinger took the project over and offered it themselves.

Porsche also had a go, producing the legendary Porsche B32 which featured a 3.2 litre Carrera engine capable of 135mph; however only a handful were made as they were destined for use supporting Porsche race cars.

## CHASSIS NUMBERS

Date	Chassis no.	Model Year	Date	Chassis no.	Model Year
May-79	24-A-0000 001	1980	Jan-86	24-G-068 279	1986
Aug-79	24-A-0013 069	1980	Jul-86	24-G-175 000	1986
Jan-80	24-A-0070 410	1980	Aug-86	24-H-000 001	1987
Jul-80	24-A-0150 805	1980	Jan-87	24-H-072 878	1987
Aug-80	24-B-000 001	1981	Jul-87	24-H-175 000	1987
Jan-81	24-B-095 074	1981	Aug-87	24-J-000 001	1988
Jun-81	24-B-175 000	1981	Jan-88	24-J-060 498	1988
Jul-81	24-C-000 001	1982	Jul-88	24-J-120 000	1988
Jan-82	24-C-089 151	1982	Aug-88	24-K-000 001	1989
Jul-82	24-C-175 000	1982	Jan-89	24-K-077 876	1989
Aug-82	24-D-000 001	1983	Jul-89	24-K-175 000	1989
Jan-83	24-D-062 766	1983	Aug-89	24-L-000 001	1990
Jul-83	24-D-175 000	1983	Jan-90	24-L-056 781	1990
Aug-83	24-E-000 001	1984	Jul-90	24-L-175 000	1990
Jan-84	24-E-081 562	1984	Aug-90	24-M-000 001	1991
Jul-84	24-E-175 000	1984	Jan-91	24-M-010 527	1991
Aug-84	24-F-000 001	1985	Jul-91	24-M-020 000	1991
Jan-85	24-F-073 793	1985	Aug-91	24-N-000 001	1992
Jul-85	24-F-175 000	1985	Jan-92	24-N-002 183	1992
Aug-85	24-G-000 001	1986	Jul-92	24-N-015 000	1992

# TYPE 25 Tischer

This is one of only 27 Tischer XL65's ever made, and possibly the only one registered in the UK. Based on a 1989 Type 25, but extended by 65cm to accommodate the large coach built body on the back VW Heritage purchased the vehicle after spotting an advert online, and blogging about 'how unusual' it was.

Although it was located in Germany, David (company Chairman and founder) was inspired by its awesomeness and organised an independent inspection, before making arrangements to bring it over to the UK in time for the 2015 camping season.

The vehicle is pretty much how it left the Tischer production line. Powered by a 1600 Turbo Diesel engine it returns 28MPG and will

cruise comfortably at 65MPH. Double glazed, centrally heated, and with a separate 'bathroom' it'll sleep 4 (well 3 and a small one) in comfort and has seating for all the family around the large collapsible table at the back. It's a firm favourite amongst the VW Heritage team for luxury show weekends away.

Externally, the only modifications are the VW Heritage graphics which have been applied in the style of the original stickers. If you see us parked up at an event, come and have a look; it's quite a machine!







vw heritage

# RUN BY ENTHUSIASTS

## For enthusiasts

This is a snapshot of the VWs currently owned by some of our staff at VW Heritage.

Because we are VW owners and drivers, we understand why quality is important and with our many collective years of experience owning and working on VWs, we will help you through your restoration or repair job with technical advice and, most importantly, by supplying the right parts on time.



**JAMES:** CONTENT STRATEGIST



**DAVE:** WEB DESIGNER



**BEN:** MARKET ANALYST



**JULIAN:** SALES



**ROB:** PURCHASING COORDINATOR



**JO:** PRODUCT SPECIALIST



**ANDY:** MARKETING MANAGER



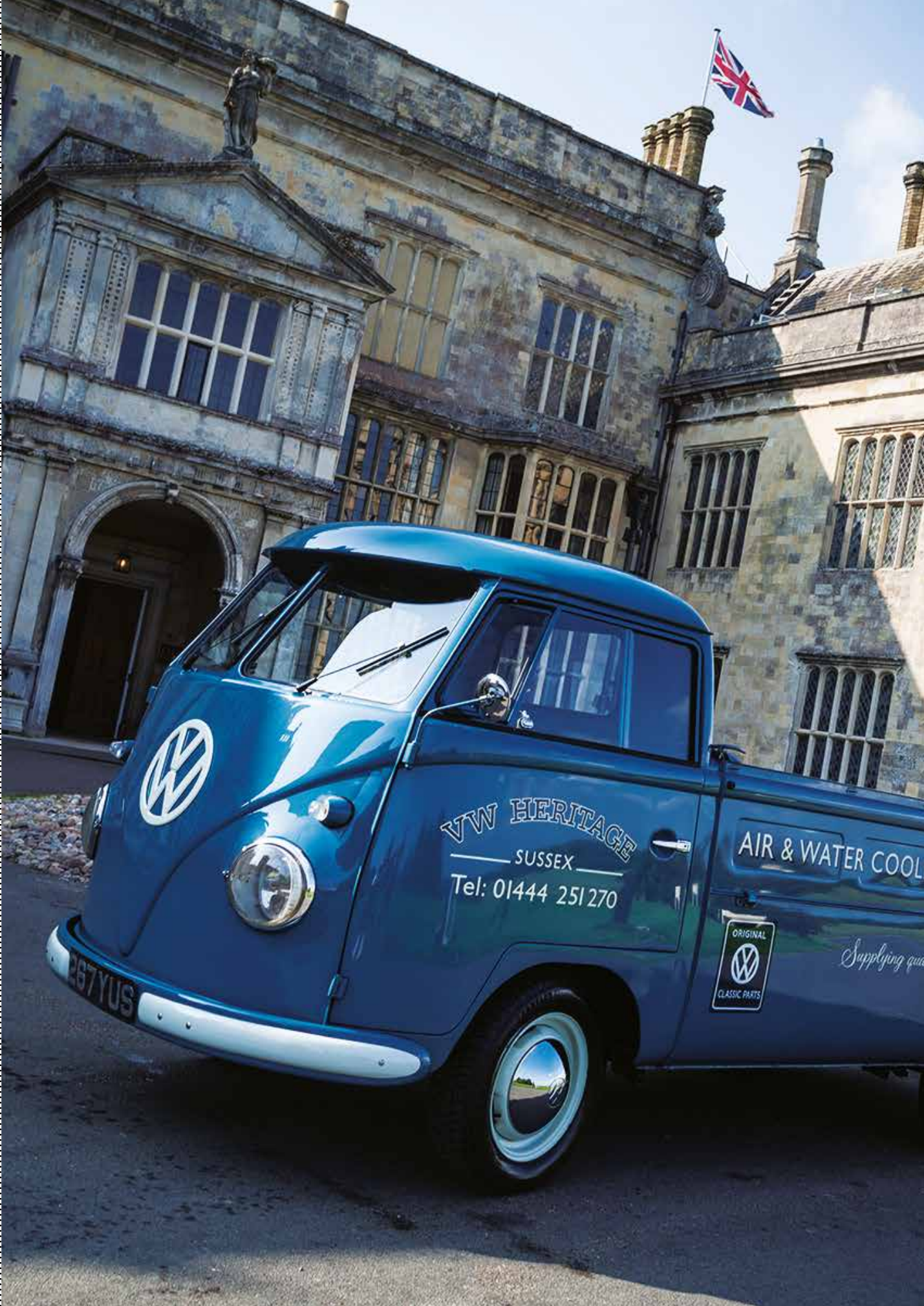
**DASH:** ESTATES MANAGER



**DAVID:** CHAIRMAN & FOUNDER



**ALEX:** CUSTOMER SERVICE



VW HERITAGE  
SUSSEX  
Tel: 01444 251270

AIR & WATER COOL

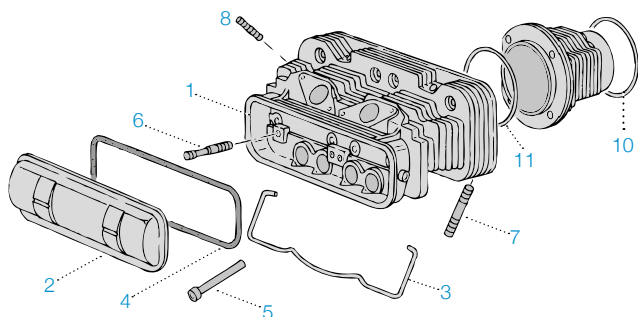


Supplying quality

# ENGINE PARTS



## CU CYLINDER HEADS & CYLINDERS



1	<b>Cylinder heads</b> - new, reproduction, complete with valve & springs etc. 8/1978>	071-101-061/X	each	<b>£316.96</b>
2	<b>Rocker covers</b>	021-101-471/R	each	<b>£24.50</b>
3	<b>Rocker cover clip</b>	021-101-487	each	<b>£5.95</b>
4	<b>Rocker cover gasket</b>	021-101-481	each	<b>£2.25</b>
5	<b>Valve guide</b> inlet exhaust	021-101-403/A 021-101-417/A	each each	<b>£5.50</b> <b>£6.50</b>
6	<b>Rocker stud</b>	021-101-397	each	<b>£4.50</b>
7	<b>Exhaust stud</b>	N01-468-41	each	<b>£4.95</b>
8	<b>Stud</b> , inlet port	N01-444-312	each	<b>£1.25</b>
9	<b>EMPI bolt-on rocker covers:</b> Finned design looks great and aids heat dissipation. kits include hardware and gasket.	AC1018855	pair	<b>£119.95</b>
10	<b>Cylinder base gasket</b>	021-101-341/A	each	<b>£1.50</b>
11	<b>Gasket</b> , cylinder to head 2000cc, 105x94x0.7	039-101-343/B	each	<b>£3.95</b>

## PISTONS & CYLINDERS



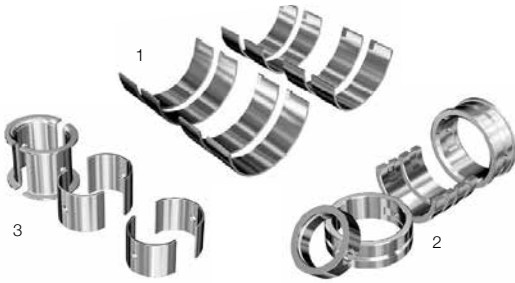
<b>Piston &amp; cylinder kits</b> , pistons, rings, cylinders and pins			
Mahle repro	029-198-075 029-198-075/R	kit kit	<b>£365.95</b> <b>£323.95</b>
<b>Piston ring kits</b>	029-198-175	kit	<b>£34.95</b>
<b>Cylinder base shim/gasket</b> , all	021-101-341/A	each	<b>£1.50</b>

## ENGINE GASKET SETS



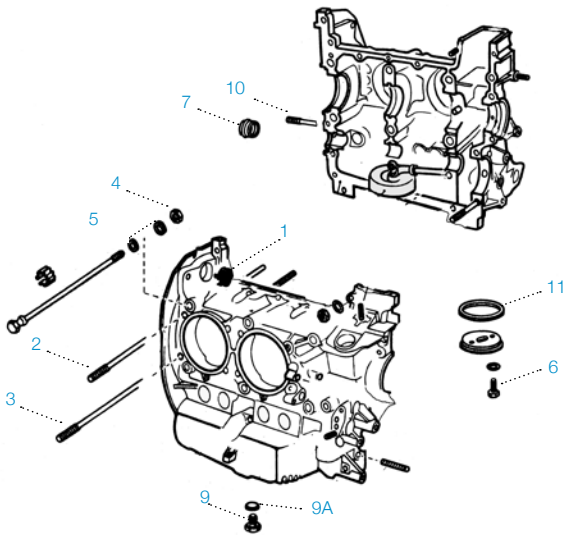
1	<b>Engine gasket set</b> 2000cc 1979> (no flywheel oil seal)	071-198-009/A	kit	<b>£71.50</b>
	<b>Oil change gasket set</b>	021-198-031/B	each	<b>£2.50</b>

ENGINE BEARINGS



1	<b>Big end bearings 2000cc</b>			
	std	039-105-701	set	£43.95
	0.25	039-105-707	set	£27.50
	0.50	039-105-713	set	£27.50
	0.75	039-105-719	set	£33.95
2	<b>Main bearings 2000cc</b>			
	(some line bore sizes available please call)			
	Std	021-198-481/A	set	£69.50
	0.25	021-198-483/A	set	£72.95
	0.50	021-198-485/A	set	£66.95
	0.75	021-198-487/A	set	£72.95
3	<b>Camshaft bearings</b>	021-198-541	set	£13.50

CRANKCASE



1	<b>Plastic cap</b> for hole in flywheel	025-101-109/B	each	£4.50
2	<b>Head stud</b>			
	top - 175mm	025-101-143/B	each	£17.50
3	bottom - 222mm	025-101-143	each	£20.95
3	<b>Head nut</b>	021-101-457	each	£1.50
	<b>Head nut washer</b>	N01-152-711	each	£1.25
4	<b>Through bolt nut</b>	021-101-131/E	each	£1.50
5	<b>Through bolt washer</b>	021-101-129	each	£5.95
6	<b>Secondary sump plate bolt</b>	N90-529-301	each	£1.25
7	<b>Cam end plug</b>	113-101-157/C	each	£2.95
9	<b>Sump plug</b>			
	M14x1.5 (late type 4)	N02-970-12	each	£4.95
9A	sealing washer for sump plug	N01-381-49	each	£1.25
10	<b>Engine mounting stud</b>			
	1976> (97mm)	N01-467-52	each	£5.95
	<b>Engine mounting nut, lower, M10</b>	N01-101-011	each	£1.25
	<b>Spring washer, 10mm, general use</b>	N01-223-07	each	£1.25
11	<b>O-Ring</b> for sump plate, 1.7-2.0	021-101-269/A	each	£3.95

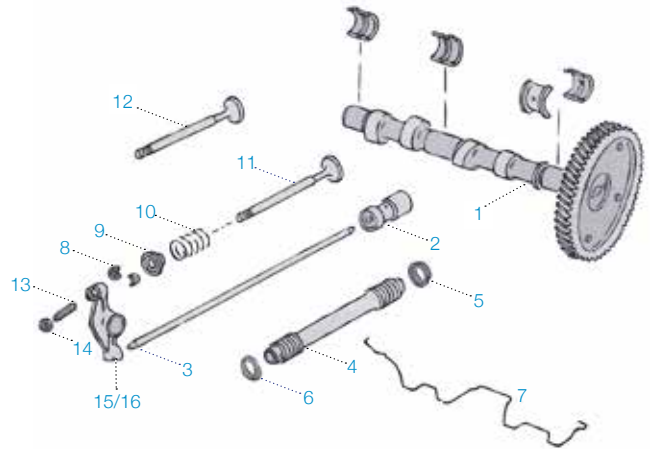
PUSHROD TUBE KITS



<b>Pushrod Tube &amp; Seal Kit STD</b>	021-198-335	kit	£53.95
--	-------------	-----	--------

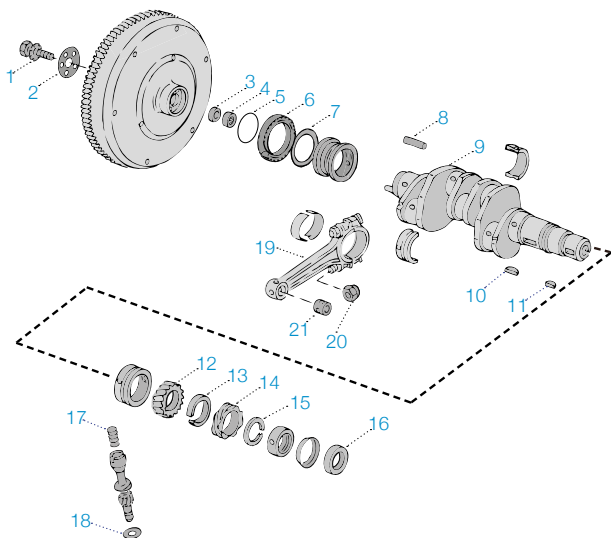
1600cc CT engine parts available please call or check online [www.vwheritage.com](http://www.vwheritage.com)

CAMSHAFT & VALVE TRAIN



1	<b>Camshaft (new reproduction)</b>			
	manual tappets, w/o wheel	021-109-021/CB	each	£195.95
	hydraulic tappets, w/o wheel	071-109-021/CB	each	£179.95
	<b>Cam wheel</b>			
	bolt on cam wheel for type 4 engines	AC1092017	each	£53.95
2	<b>Cam followers</b>			
	manual	021-109-309/G	each	£11.95
	hydraulic	022-109-309	each	£25.95
3	<b>Push rod, hydraulic</b>	071-109-301	each	£32.50
4	<b>Pushrod tubes</b>			
	standard	021-109-335/C	each	£7.25
	stainless steel	021-109-335/C/SS	each	£11.50
	<b>Pushrod tube seal</b>			
5	inner - small	021-109-345/A	each	£0.95
6	outer - large	021-109-349/B	each	£0.95
7	<b>Pushrod tube retaining wire</b>	021-109-339	each	£8.95
8	<b>Collets</b>	113-109-651/A	each	£1.50
9	<b>Valve spring retainers</b>	021-109-641/B	each	£4.95
10	<b>Valve springs</b>	021-109-623/K	each	£5.95
11	<b>Valves - inlet</b> 37.5mm, 2000cc.	021-109-601/A	each	£8.25
12	<b>Valves - exhaust</b> 33mm	022-109-612/D	each	£10.95
13	<b>Valve adjusting screws</b>			
	10mm (1800cc & 2000cc)	022-109-451	each	£4.25
14	<b>Nut for valve adjusting screws</b>			
	10mm (1800cc & 2000cc)	028-109-453	each	£1.25
15	<b>Rocker arm, inlet</b>			
	2.0 aircooled '76-'83, 10mm screw	022-109-443	each	£27.95
16	<b>Rocker arm, exhaust</b>			
	2.0 aircooled '76-'83, 10mm screw	022-109-463	each	£27.95
17	<b>Rocker shaft spring clip</b>	025-109-439/A	each	£1.50

CRANKSHAFT



For flywheels please call

1	<b>Flywheel bolt</b>	N01-433-51	each	£5.95
2	<b>Flywheel bolt washer</b>	021-105-275	each	£3.95
3	<b>Felt seal ring</b>	021-105-311	each	£0.85
4	<b>Needle bearing</b>	111-105-313/A	each	£4.95
5	<b>O-ring in flywheel</b>	021-105-279	each	£2.95
6	<b>Oil seal, flywheel</b>	029-105-245/GEN 029-105-245/B	each	£14.95 £11.50
7	<b>Flywheel shim</b>			
	0.24mm	021-105-291	each	£10.50
	0.30mm	021-105-281	each	£4.50
	0.32mm	021-105-283	each	£3.75
	0.36mm	021-105-287	each	£4.50
	0.38mm	021-105-289	each	£4.50
8	<b>Pin for flywheel location</b>	N01-330-91	each	£1.95
9	<b>Crankshaft</b>	039-105-101/AX	each	£197.95
10	<b>Woodruff key, large</b>	111-105-213	each	£4.50
11	<b>Woodruff key, small</b>	N01-270-82	each	£5.95
12	<b>Timing gear (to crankshaft)</b>	021-105-209/A	each	£84.50
13	<b>Spacer ring</b>	113-105-219	each	£7.25
14	<b>Distributor drive gear</b>	113-105-223	each	£25.95
15	<b>Circlip / lock ring</b>	111-105-227	each	£4.50
16	<b>Fan hub seal</b>	021-105-247/A	each	£3.50
17	<b>Spring for distributor drive</b>	111-105-233	each	£0.85
18	<b>Washer for distributor drive (1 req)</b>	021-105-235	each	£4.95
19	<b>Conrods, set of 4</b>	039-198-401/X	set	£268.95
20	<b>Conrod, nut</b>	113-105-427	each	£2.95
21	<b>Conrod, small end bush</b>	021-105-431/A	set	£7.25
22	<b>O-ring for fan hub</b>	021-119-125/A	each	£2.95
23	<b>Crank pulley oil seal</b>	021-105-247/A/GEN	each	£19.95

COOLING



1	<b>Oil cooler (new)</b>	021-117-021/B	each	£65.95
	<b>Oil cooler seals</b>	021-117-151/A	each	£0.95
2	<b>Timing scale</b>	021-119-249/E	each	11.95
3	<b>Fan guard / grille</b>	021-119-207	each	£13.50
4	<b>Thermostat (modification required)</b>	111-119-159/A	each	NCA
5	<b>Thermostat cable</b>	021-119-751	each	£6.25
	<b>Thermostat cable nut</b>	N01-021-612	each	£1.50
6	<b>Air hose grommets (where air hose goes through the tinware)</b>			
	left/round	021-119-627/B	each	£10.50
	right/oval	021-119-337	each	£9.75
7	<b>Engine bay seal</b>			
	genuine	251-813-226/A	each	£65.95
	<b>Inspection plug in top of fan shroud</b>	021-119-233/A	each	£2.25

ENGINE SERVICE KIT

**KIT**



**Engine Service Kit, Type4, 1700-2000cc**

Engine Service Kit for 1700-2000cc Type 4 engines. The kit includes Spark Plugs, Rotor Arm, Distributor Cap, Bosch HT Leads, Rocker Gaskets, Oil Filter and an Oil change gasket set. Points and condenser need to be ordered separately if required.

<b>Engine Service Kit, Type4, 1700-2000cc</b>	021-198-905	each	£129.95
---	-------------	------	---------

**CARBURETTOR PARTS**



1	<b>Carb rebuild kit</b> (1 per carb)	AC1989939	each	<b>£32.95</b>	
2	<b>Head to manifold gasket</b>	metal	021-129-707/D	each	<b>£3.95</b>
		fibre	AC1293227	pair	<b>£2.95</b>
3	<b>Rubber connectors for intake system</b>	right carb elbow, Ø 10.5 / 9.0mm	021-129-637/F	each	<b>£6.25</b>
		left carb t-piece	071-129-755/A	each	<b>£7.95</b>
		Plastic t-piece 10mm universal	AC129235-5	each	<b>£9.75</b>
	<b>Air by pass cut-off valve</b>	049-129-412/C	each	<b>£23.95</b>	
4	<b>Idling cut off valve</b>	058-129-413/E	each	<b>£31.95</b>	
5	<b>Airfilter element, paper</b>	021-129-620	each	<b>£9.95</b>	
		AC129434406	each	<b>NCA</b>	
		<b>Choke unit, 2000cc carb</b>	AC129434406	each	<b>NCA</b>
	<b>Fuel pump flange</b>	021-127-303/A	each	<b>£18.50</b>	
	<b>Fuel pump flange gasket</b>	021-127-311/A	each	<b>£2.95</b>	

**MECHANICAL FUEL PUMP PARTS**

**UPGRADES & CUSTOM PARTS**



1	<b>Fuel Pump pushrod</b>	021-127-307/A	each	<b>£19.50</b>
2	<b>Mechanical fuel pump</b>	021-127-025/B	each	<b>£54.95</b>

**ELECTRONIC FUEL PUMP 2000 CU**

**UPGRADES & CUSTOM PARTS**

**KIT**



**Electronic Fuel Pump Conversion**

Electronic fuel pump conversion kit. Kit includes, a facet electric fuel pump with 6mm fittings, fuel pump block off, a fuel filter, and a pressure regulator.

<b>Electronic Fuel Pump Conversion 2000 CU</b>	021-198-127	kit	<b>£94.95</b>
--	-------------	-----	---------------

**FUEL INJECTION PARTS**



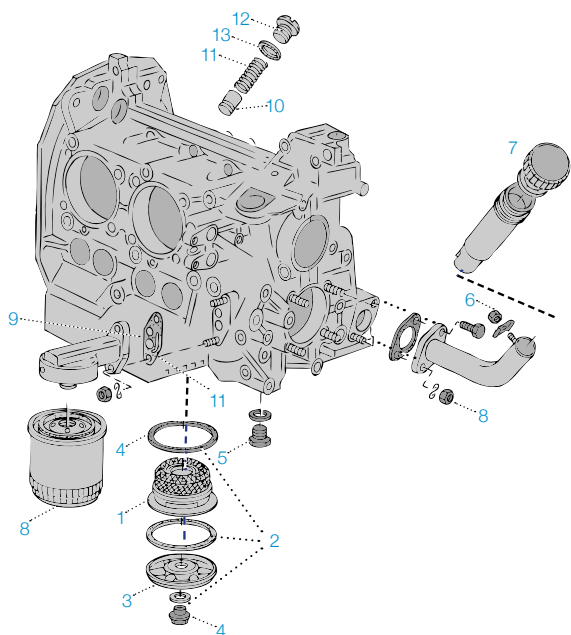
1	<b>Elbow for auxillary air regulator</b>	022-129-637	each	<b>£13.96</b>	
	<b>Fuel injector seal</b>	small	311-133-261/A	each	<b>£4.50</b>
		large	311-133-263	each	<b>£5.25</b>
	<b>Fuel hose, 7mm</b>	N02-028-11	metre	<b>£2.95</b>	
2	<b>Airfilter element, paper</b>	021-129-620	each	<b>£9.95</b>	
3	<b>Temperature sensor</b>	022-906-012	each	<b>£29.95</b>	
4	<b>Fuel pressure regulator</b>	022-906-035	each	<b>£136.95</b>	
	<b>Injection fuel pump</b>	251-906-091	each	<b>£49.95</b>	
5	<b>Fuel injection combi relay</b> non californian models	071-906-059	each	<b>£134.95</b>	
	<b>Rubber mount for fuel pump</b>	113-142-355/B	each	<b>£19.50</b>	
	<b>Injector sealing washer</b>	068-130-219	each	<b>£1.50</b>	
6	<b>Fuel Filter, Injection Models</b>	133-133-511//	each	<b>£10.50</b>	

Many other fuel injection parts are available to order, mostly from the USA. Please phone to enquire. Many injection parts will feature a part number, if possible please have the part number to hand when you call.

**NEED IGNITION PARTS?**

Check out our full range in the electrical section (Page 80 -81)

OIL SYSTEM



1	<b>Oil strainer</b>	021-115-175	each	<b>£7.50</b>
2	<b>Oil change gasket set</b>	021-198-031/B	each	<b>£2.50</b>
3	<b>Sump plate, centre</b>	021-115-181	each	<b>£10.95</b>
4	<b>Nut for strainer cover</b>	021-115-193/B	each	<b>£4.95</b>
5	<b>Sump plug</b>	N02-970-12	each	<b>£4.95</b>
6	<b>Nut</b>	N01-100-624	each	<b>£0.40</b>
7	<b>Cap, oil Filler</b>	070-115-311	each	<b>£9.95</b>
8	<b>Oil filter</b>	021-115-351/A	each	<b>£9.95</b>
9	<b>Gasket oil filter mount</b>	021-115-359/A	each	<b>£4.50</b>
10	<b>Oil relief piston 76&gt; 22mm x 16mm</b>	021-115-411/A	each	<b>£5.95</b>
11	<b>Oil relief spring</b>	021-115-421/B	each	<b>£1.50</b>
12	<b>Screw cover, oil relief</b>	025-115-431	each	<b>£7.50</b>
13	<b>Washer, oil relief valve</b>	N01-382-93	each	<b>£3.95</b>
	<b>Dipstick Bellows</b>	021-119-245	each	<b>£5.95</b>

OIL PUMPS



1	<b>CB performance oil pump</b> Beetle style, specially designed for Type 4 engines. 26mm gears, includes cover.	AC1151829	each	<b>£88.95</b>
	<b>Gasket pump to case</b>	111-115-111/B	each	<b>£0.95</b>

BREATHER / VACUUM HOSES



The application for these varies depending on year and country of sale so we have listed them by size. Please choose the correct size for your application. The size quoted is the inner diameter. All can be supplied in multiples of 0.5m but they are priced per metre.

<b>3.5mm</b>	N02-029-11	metre	<b>£2.95</b>
<b>4.0mm</b>	N02-036-12	metre	<b>£22.50</b>
<b>7mm</b>	N02-028-11	metre	<b>£22.50</b>
<b>9mm</b>	N10-221-801	metre	<b>£21.95</b>
<b>11mm</b>	N02-030-01	metre	<b>£21.95</b>
<b>12mm</b>	N02-029-03	metre	<b>£10.95</b>
<b>14mm</b>	N90-402-301	metre	<b>£10.95</b>





# PERFORMANCE

## CARBURETTOR KITS

Most of the CU engine kits listed here do not have electric chokes but this does not really affect cold starting significantly. Vehicles with automatic gearboxes require the carb kit linkage to be modified. If you have a Waterboxer engine and would like to fit twin carb kits please call as we can supply the manifolds etc for this type of conversion.

### 34 SINGLE CHOKE TWIN CARBS

UPGRADES  
& CUSTOM PARTS

KIT



#### Twin 34mm Single carb kits for CU 2000cc

These combine the performance of twin carburettors with reasonable fuel economy. They are single barrel 34mm carbs and as with many performance twin carb set ups there are no chokes. Kits include manifolds, hex bar linkage, cone air filters and hardware.

<b>Weber 34 ICT</b>	AC129K1412	kit	<b>£449.95</b>
<b>EMPI 34 EPC</b>	AC1297412	kit	<b>£440.95</b>

### 32/36 PROGRESSIVE CARBS

UPGRADES  
& CUSTOM PARTS

KIT



#### 32/36 Progressive kits for CU 2000cc

This kit converts stock twin carburettors to a single centrally mounted unit. Due to the length of the manifold and the lack of pre-heating, performance especially in the winter will not be as good as with a good pair of twin carburettors such as Weber 34ICTs. Automatic models require the kit to be modified.

#### NOTE:

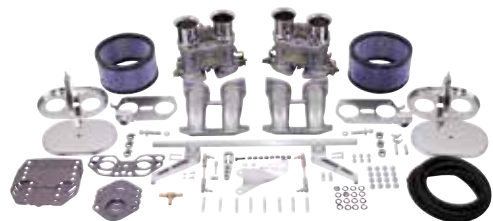
Engine lid soundproofing may require trimming to accommodate filter.

<b>Weber DFEV</b>	AC129K297	kit	<b>£385.95</b>
<b>EMPI EPC</b>	AC12970670	kit	<b>£335.95</b>
<b>Spare Filter</b>	AC1298809	kit	<b>£21.95</b>

### DUAL TWIN CHOKE CARB KIT

UPGRADES  
& CUSTOM PARTS

KIT



#### Weber IDF/EMPI HPMX carb kit

Aftermarket EMPI twin 40mm HPMX carburettor kit. Supplied as a complete kit including carburettors, manifolds, linkage, air filters, fuel hose and all hardware to fit. This kit is well suited to performance engines.

#### NOTE:

For optimum performance this kit should be setup on a rolling road.

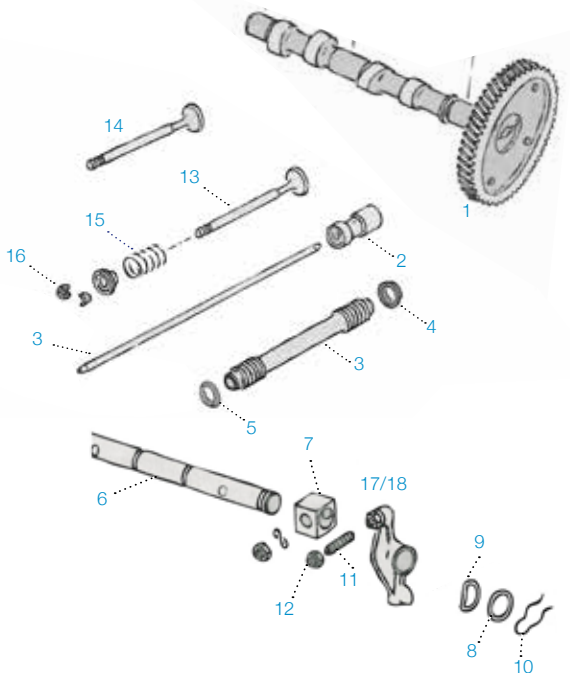
<b>EMPI HPMX carb kits CU 2000cc</b>			
2 x 40HPMX	AC1297347	kit	<b>£668</b>
2 x 44HPMX	AC1297295	kit	<b>£668</b>
<b>Weber IDF CU 2000cc</b>			
2 x 40IDF	AC129K1347	kit	<b>£943.95</b>
2 x 44IDF	AC129K1295	kit	<b>£1018.95</b>

# WATER BOXER

## 1.9-2.1 ENGINE PARTS

The waterboxer engine is a watercooled derivative of the aircooled flat four Beetle engine. It was only used in Type 25s.

### VALVETRAIN



1	<b>Camshaft, reground</b> 1.9 2.1	025-109-021/C 025-109-021/B	each each	<b>£85.50</b> <b>£318.95</b>
2	<b>Cam follower, hydraulic</b>	022-109-309	each	<b>£25.95</b>
3	<b>Pushrod Tubes</b> standard standard, s/steel adjustable	025-109-335 025-109-335/SS 025-109-337	each each each	<b>£12.95</b> <b>£19.50</b> <b>£60.95</b>
3	<b>Push rod</b>	025-109-301	each	<b>£21.95</b>
4	<b>Pushrod tube seals</b> inner	070-109-345	each	<b>£0.65</b>
5	outer	113-109-345/A	each	<b>£1.25</b>
6	<b>Rocker shaft</b>	113-109-407	each	<b>£31.95</b>
7	<b>Mounting block, rocker shaft</b>	113-109-427/C	each	<b>£9.00</b>
8	<b>Thrust washer, rocker shaft</b>	025-109-435	each	<b>£0.95</b>
9	<b>Spring washer</b>	113-109-437	each	<b>£2.10</b>
10	<b>Spring clip, rocker shaft</b>	025-109-439/B	each	<b>£1.25</b>
11	<b>Valve adjusting screw</b> 9mm 10mm	025-109-451 022-109-451	each each	<b>£7.25</b> <b>£4.25</b>
12	<b>Nut valve adjuster screw</b> 9mm 10mm	N01-115-31 028-109-453	each each	<b>£4.50</b> <b>£1.25</b>
13	<b>Inlet valve, 40mm</b>	025-109-601/C	each	<b>£16.95</b>
14	<b>Exhaust valve, 34mm</b>	025-109-612/A	each	<b>£17.95</b>
15	<b>Spring for valve</b> outer inner	021-109-623/K 059-109-633/B	each each	<b>£5.95</b> <b>£1.50</b>
16	<b>Valve cotter</b>	113-109-651/A	each	<b>£1.50</b>
17	<b>Rocker arm, WBX 2.1 &amp; 1.9 9/88-&gt;, 10mm screw</b>	025-109-405/A	each	<b>£34.95</b>
18	<b>Rocker arm 1.9 WBX -9/88 9mm screw</b>	025-109-405/C	each	<b>£45.50</b>



### BARRELS AND PISTONS



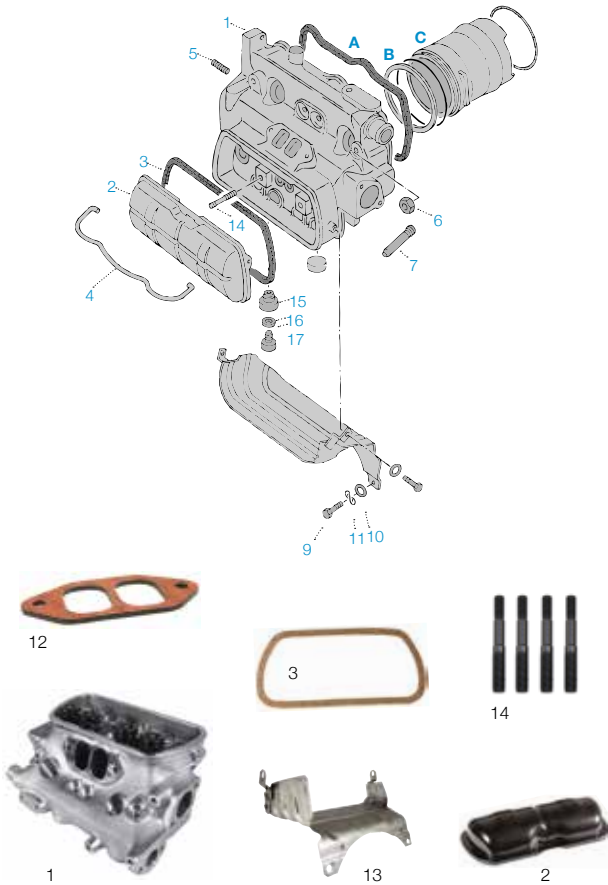
<b>Barrel and piston kits</b>			
<b>1.9 Engines</b>			
94mm	025-198-075	each	<b>£302.95</b>
95.5mm big bore	025-198-075/AP	each	<b>£519.95</b>
<b>2.1 Engines</b>			
94mm	025-198-075/D	each	<b>£561.95</b>
94mm low compression	025-198-075/LC	each	<b>£311.95</b>
95.5 big bore	025-198-075/DP	each	<b>£546.95</b>
<b>Piston ring kit</b>			
1.9, 94mm	029-198-175	each	<b>£34.95</b>
2.1, 94mm	025-198-151/A	each	<b>£49.95</b>

### GASKETS



<b>Engine gasket set 1.9 &amp; 2.1</b>			
de-coke set, 1 set required per side	025-198-012/A/B	each	<b>£62.50</b>
complete engine gasket set	025-198-009/B	each	<b>£115.95</b>

## CYLINDER HEADS



1	<b>Cylinder head</b> , complete (not 1.9 DF)	025-101-065/CX	each	<b>£365.95</b>
2	<b>Rocker cover</b>	113-101-475/B	each	<b>£7.95</b>
3	<b>Rocker cover gasket</b>	113-101-481/F	each	<b>£1.50</b>
	<b>Rocker cover Silicon</b>	113-101-481/FS	pair	<b>£19.50</b>
4	<b>Rocker cover clip</b>	043-101-487/	each	<b>£3.95</b>
5	<b>Inlet / exhaust stud</b>	N01-444-312	each	<b>£1.25</b>
6	<b>Nut domed head</b>	N90-184-101	each	<b>£4.50</b>
7	<b>Valve guide</b> , inlet / exhaust, 8mm	113-101-415/A	each	<b>£4.95</b>
8	<b>Washer</b>	N01-152-520	each	<b>£1.25</b>
9	<b>Bolt</b>	N01-023-911	each	<b>£1.50</b>
10	<b>Washer</b>	211-843-661	each	<b>£1.25</b>
11	<b>Spring washer</b> , 8x15x0.8	N01-224-110	each	<b>£0.85</b>
12	<b>Inlet head gasket</b>	025-129-717/D	each	<b>£2.95</b>
13	<b>Pushrod tube guard</b> left right	025-109-655 025-109-656	each each	<b>£52.95</b> <b>£52.95</b>
14	<b>Rocker stud</b> , chromoly, 4	AC1092314	set 4	<b>£25.50</b>
15	<b>Cover</b>	025-101-583/A	each	<b>£3.95</b>
16	<b>O-ring</b>	N01-383-02	each	<b>£0.95</b>
17	<b>Allen key bolt</b>	N01-470-67	each	<b>£0.95</b>
	<b>Cylinder head stud 1.9-2.1 litre</b> 222mm, 8 required	025-101-143	each	<b>£20.95</b>
	<b>Cylinder head stud, 1.9-2.1 litre</b> 191mm 4 required	025-101-143/A	each	<b>£15.95</b>
	<b>Cylinder head stud 1.9-2.1 litre</b> 175mm 4 required	025-101-143/B	each	<b>£17.50</b>
<b>Gaskets &amp; Seals For Cylinders &amp; Heads</b>				
C	<b>Seal</b> , cylinder head liner (top)	025-101-177	each	<b>£9.75</b>
B	<b>Gasket</b> , barrel liner 1.9-2.1 Litre	025-101-343/B	each	<b>£5.95</b>
A	<b>Cylinder head gasket</b> , 1.9-2.1	025-101-345	each	<b>£22.50</b>
	<b>O-ring bottom of cylinder</b>	N90-168-301	each	<b>£11.95</b>



## CARBURETTOR 2E3

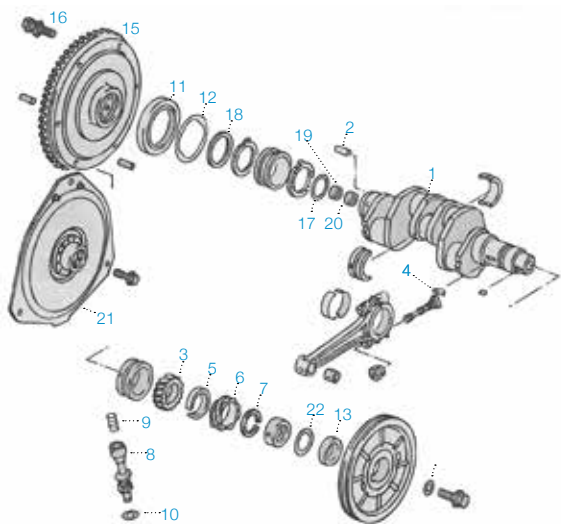
UPGRADES  
& CUSTOM PARTS**Carburettor 2E3**

After years of having to battle with problematic Pierburg carburettors we are pleased to now offer a brand new replacement carburettor made by Brosal.

Suitable for 1.9 Waterboxer models, with DG code engines and manual gearbox. This carburettor does not have a provision for the lower body-heating element that the original carburettor has. A blanked hole is present that can be drilled and tapped to mount the heating element if required.

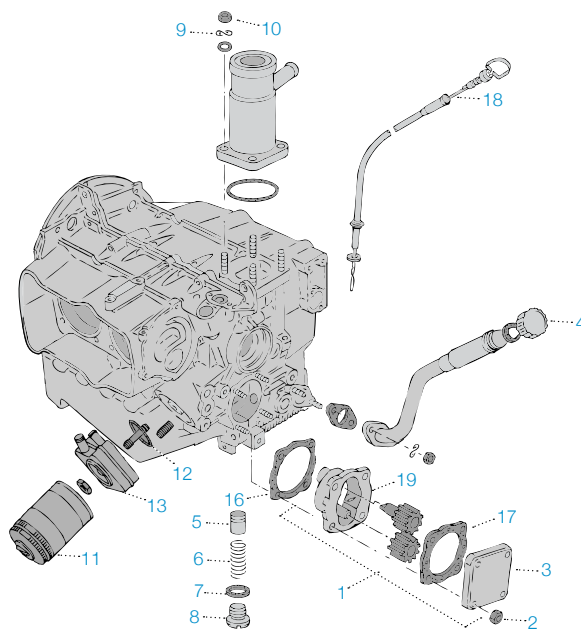
<b>Carburettor 2E3</b>	025-129-015	each	<b>£272.95</b>
------------------------	-------------	------	----------------

CRANKSHAFT



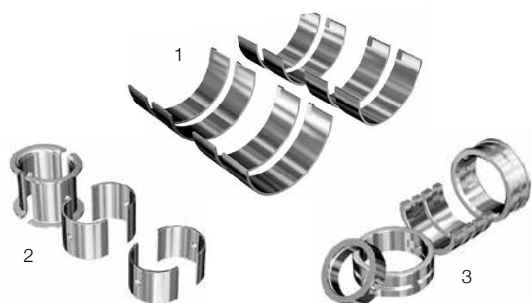
1	<b>Crankshaft</b> , reground/exchange 1900cc 2100cc	025-105-101/AX 025-105-101/BX	each each	<b>NLA</b> <b>£1047.95</b>
2	<b>Pin</b> , for flywheel location.	N01-330-91	each	<b>£1.95</b>
3	<b>Timing gear</b> , crankshaft	113-105-209	each	<b>£21.95</b>
4	<b>Woodruff key</b>	111-105-213	each	<b>£4.50</b>
5	<b>Spacer</b>	113-105-219	each	<b>£7.25</b>
6	<b>Distributor drive gear</b>	113-105-223	each	<b>£25.95</b>
7	<b>Lock ring</b>	111-105-227	each	<b>£4.50</b>
8	<b>Distributor driveshaft</b>	113-105-231/B	each	<b>£44.95</b>
9	<b>Spring</b> , distributor driveshaft	111-105-233	each	<b>£0.85</b>
10	<b>Shim</b> , distributor driveshaft (0.6)	111-105-235/A	each	<b>£4.50</b>
11	<b>Flywheel Oil Seal</b>	029-105-245/B 029-105-245/GEN	each each	<b>£11.50</b> <b>£14.95</b>
12	<b>Retainer ring</b>	025-105-283	each	<b>£4.50</b>
13	<b>Pulley Oil Seal</b>	025-105-247/A	each	<b>£5.95</b>
14	<b>Spring washer</b>	111-105-259	each	<b>£4.50</b>
15	<b>Flywheel</b> , 228mm, remanufactured	025-105-271	each	<b>£112.95</b>
16	<b>Flywheel Bolt</b> (5 req)	N90-226-801	each	<b>£5.95</b>
17	<b>Flywheel O-ring</b>	021-105-279	each	<b>£2.95</b>
18	<b>Thrust Washer</b>	025-105-635	each	<b>£15.95</b>
19	<b>Felt seal ring</b>	021-105-311	each	<b>£0.85</b>
20	<b>Crankshaft Bearing</b>	111-105-313/A	each	<b>£4.95</b>
21	<b>Torque conv. drive plate</b>	022-105-323/D	each	<b>£208.95</b>
22	<b>Oil Thrower</b>	025-105-241	each	<b>NCA</b>

OIL SYSTEM



1	<b>Oil pump</b> standard, 26mm gears heavy duty 30mm gears	111-115-107/BK AC115150	each each	<b>£23.95</b> <b>£43.95</b>
2	<b>Nut</b> , self sealing oil pump cover	111-115-161	each	<b>£2.25</b>
3	<b>Oil pump cover</b>	311-115-141/C	each	<b>£22.95</b>
4	<b>Oil filler cap</b>	070-115-311	each	<b>£9.95</b>
5	<b>Oil relief piston</b> , 22mm x 16mm	021-115-411/A	each	<b>£5.95</b>
6	<b>Oil relief spring</b>	021-115-421/B	each	<b>£1.50</b>
7	<b>Washer</b> , oil relief valve	N01-382-93	each	<b>£3.95</b>
8	<b>Screw cover</b> , oil relief	025-115-431	each	<b>£7.50</b>
9	<b>Spring washer</b> , 6mm	N01-222-65	each	<b>£0.95</b>
10	<b>Nut</b>	N01-100-624	each	<b>£0.40</b>
11	<b>Oil filter</b>	070-115-561	each	<b>£10.95</b>
12	<b>Gasket</b>	038-117-070	each	<b>£5.95</b>
13	<b>Oil/water cooler</b>	068-117-021/B	each	<b>£40.95</b>
14	<b>Sump plug</b>	N02-970-12	each	<b>£4.95</b>
15	<b>Sealing washer for sump plug</b>	N01-381-49	each	<b>£1.25</b>
16	<b>Gasket pump to case</b>	111-115-111/B	each	<b>£0.95</b>
17	<b>Gasket cover to pump</b>	111-115-131/B	each	<b>£1.50</b>
18	<b>Oil dipstick</b>	025-115-611	each	<b>£15.95</b>
19	<b>Oil pump</b>	111-115-107/BK	each	<b>£23.95</b>

ENGINE BEARINGS



1	<b>Con rod bearing set</b> 0.25mm U/S 0.50mm U/S 0.75mm U/S 1.00mm U/S	113-105-707 113-105-713 113-105-719 113-105-725	each each each each	<b>£14.95</b> <b>£11.95</b> <b>£13.50</b> <b>£13.50</b>
2	<b>Main bearing set</b> , >1985 (1 piece thrust) standard 0.25	025-198-461 025-198-463	each each	<b>£60.95</b> <b>£60.95</b>
3	<b>Main bearing set</b> , 1986> (3 piece thrust) standard 0.25	025-198-461/A 025-198-463/A	each each	<b>£65.50</b> <b>£69.95</b>
4	<b>Camshaft bearings</b> (double thrust)	111-198-541/DT	each	<b>£19.95</b>

INTAKE & FUEL PUMPS



1	<b>Fuel pump</b> 1.9 engine (carburettor)	025-127-025/A	each	<b>£23.95</b>
	<b>Gaskets</b> under fuel pump	025-127-311/A	each	<b>£2.25</b>
2	<b>Fuel pump flange</b>	113-127-303	each	<b>£3.50</b>
	<b>Fuel pump push rod</b>	113-127-307/A	each	<b>£5.50</b>
	<b>Fuel hose</b> (carburettor engine) 5mm with cotton overbraid	N90-099-601	metre	<b>£3.25</b>
	<b>Fuel hose</b>	N90-099-601/BQ	metre	<b>£12.00</b>
3	<b>Fuel hose clips</b> (carburettor engine) screw type crimp type	N02-452-81 111-127-537/A	each each	<b>£1.50</b> <b>£0.95</b>
	<b>Fuel filter - plastic</b> in-line/universal (carburettor engine)	251-201-511/G	each	<b>£3.25</b>
	<b>Fuel pump - injection models</b> 1.9 & 2.1	043-906-091	each	<b>£320.95</b>
	<b>Fuel filter - injection models</b> 1.9 & 2.1	1H0-201-511/A	each	<b>£10.50</b>
	<b>Air filter element</b>			
4	1.9 DF all years square	021-129-620	each	<b>£9.95</b>
4	1.9 DG 8/82-7/85 square	021-129-620	each	<b>£9.95</b>
5	1.9 DG & 2.1 DJ 8/85> round	025-129-620/A	each	<b>£17.50</b>
	(some 1.9 models destined for dusty climates might be fitted with a long cylinder air filter 060-129-620 see JX diesel engine)			
	<b>Carb mounting flange</b> 1.9 DF	025-129-761	each	<b>£25.50</b>
	<b>Carb gasket</b> 1.9 DG	025-129-799/C	each	<b>£13.95</b>
	<b>Inlet manifold to head gasket</b>			
	1.9 DF	025-129-717/E	each	<b>£4.25</b>
	1.9 DG	025-129-717/D	each	<b>£2.95</b>
	1.9 & 2.1 injection models	025-129-717/C	each	<b>£7.50</b>
	<b>Breather hoses</b>			
	1.9 DF	025-129-793/B	each	<b>NLA</b>
	1.9 DG	025-129-793/A	each	<b>NLA</b>
6	<b>Airflow meter</b>	025-906-301/C	each	<b>£354.95</b>
	<b>Carb rebuild kit</b> for WC Pierburg carbs	049-198-571/S	each	<b>£42.95</b>

ELECTRIC FUEL PUMP REGULATORS & FILTERS

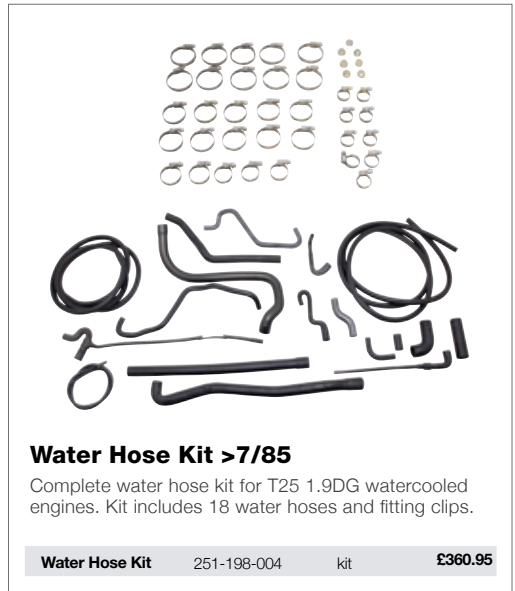
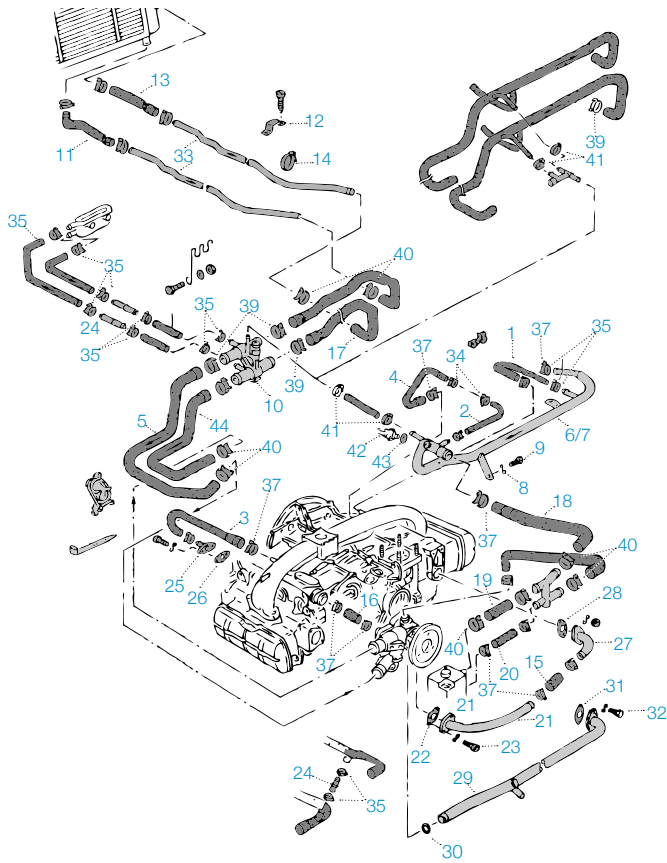


1	<b>Rotary electric pump</b>	AC1273193	kit	<b>£87.95</b>
2	<b>Fuel pump, solid state</b>	AC127200	kit	<b>£50.50</b>
3	<b>Chrome/Glass fuel filter</b>	AC1273193	kit	<b>£87.95</b>
4	<b>Fuel pump pressure regulator</b>	AC1279102	each	<b>£24.95</b>
5	<b>Rotary electric fuel pump</b>	AC1273193	each	<b>£87.95</b>



THOUSANDS OF CLASSIC AND PERFORMANCE PARTS FROM THE VW EXPERTS

WATER SYSTEM 1.9 WATERBOXER >7/85



**Water Hose Kit >7/85**

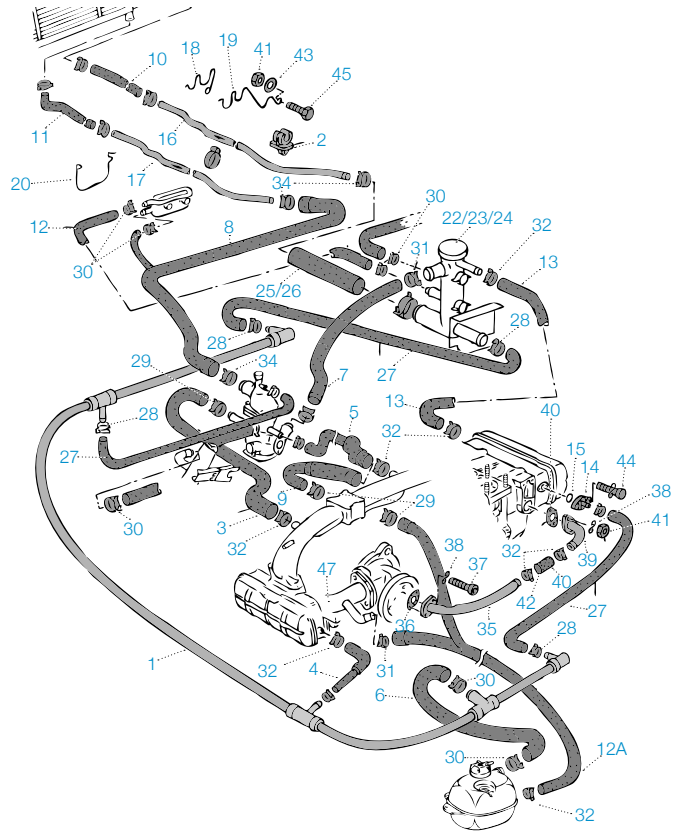
Complete water hose kit for T25 1.9DG watercooled engines. Kit includes 18 water hoses and fitting clips.

**Water Hose Kit** 251-198-004 kit **£360.95**

1	<b>Water hose</b>	025-121-053/B	each	<b>NCA</b>
2	<b>Water hose</b> metal pipe to carb	025-121-057/B	each	<b>£14.95</b>
3	<b>Water hose</b>	025-121-058/A	each	<b>NLA</b>
4	<b>Water hose</b> right manifold to carb	025-121-060	each	<b>£20.95</b>
5	<b>Water hose, return</b> - for manual models - for automatic models	025-121-073/E 025-121-074/A	each each	<b>£23.95</b> <b>NCA</b>
6	<b>Water pipe, DF engine</b>	025-121-081/C	each	<b>NCA</b>
7	<b>Water pipe, DG engine &gt;85</b>	025-121-081/D	each	<b>NCA</b>
8	<b>Spring washer</b>	N01-222-65	each	<b>£0.95</b>
9	<b>Bolt</b>	N01-021-226	each	<b>£1.50</b>
10	<b>Bleeder valve</b> - manual models - automatic models	025-121-082 025-121-082/A	each each	<b>£40.95</b> <b>NLA</b>
11	<b>Water hose</b> - to chassis number >24 D 060 000. 80-85 - from chassis number 24 D060 001. 85-92	251-121-083/G 251-121-083/H	each each	<b>NLA</b> <b>£17.95</b>
12	<b>Pipe clamp</b> >24-F-060 000. 80-85 - 85MM from Ch. no.24 F-060 001 - 103MM	251-121-093 251-121-097/A 251-121-098/A	each each each	<b>£3.25</b> <b>£2.95</b> <b>£1.25</b>
13	<b>Water hose</b> - to chassis number > 24 F 060 000 - from chassis number 24 F 060 001 >	N90-166-601 251-121-082	each each	<b>£22.50</b> <b>£22.50</b>
14	<b>Hose clip, 40-60mm, stainless steel.</b>	111-501-159/B	each	<b>£2.25</b>
15	<b>Hose 25mm x3.5mm x 58mm</b>	N90-128-703	each	<b>£5.95</b>
16	<b>Water hose connector</b>	N90-128-703	each	<b>£5.95</b>
17	<b>Water hose, feed</b> - Ch. No. 24 D 089 699 to 24 F 060 000. - from Ch. No. 24 F 060 001 >	025-121-102 025-121-102/A	each each	<b>NCA</b> <b>NCA</b>
18	<b>Water hose, from Ch. No. 24 D 089 113 &gt;</b>	025-121-130/A	each	<b>£24.95</b>
19	<b>Water hose, from Ch. No. 24 D 089 113&gt;</b>	N90-166-601	each	<b>£22.50</b>
20	<b>Water hose, from Ch. No. 24 D 089 113 &gt;</b>	N90-128-703	each	<b>£5.95</b>

21	<b>Water pipe</b> water pump	025-121-151	each	<b>£65.95</b>
22	<b>Gasket</b>	N90-168-502	each	<b>£1.50</b>
23	<b>Bolt</b>	N01-470-91	each	<b>£2.25</b>
24	<b>Connecting pipe</b>	171-121-140/D	each	<b>£2.95</b>
25	<b>Flange, DF, DG, EY &amp; GW engines</b>	025-121-160	each	<b>NLA</b>
26	<b>Gasket</b>	N90-168-502	each	<b>£1.50</b>
27	<b>Water pipe</b> metal elbow on right of block	025-121-171	each	<b>£30.95</b>
28	<b>Gasket</b>	N90-128-802	each	<b>£6.50</b>
29	<b>Water pipe</b>	025-121-180/A	each	<b>£80.50</b>
30	<b>Seal/o-ring, 25mm x 3.55mm</b>	N02-822-52	each	<b>£1.50</b>
31	<b>Gasket</b>	N90-168-502	each	<b>£1.50</b>
32	<b>Bolt</b>	N09-031-51	each	<b>£1.50</b>
33	<b>Water pipes, pair return and feed.</b> to Ch. No. > 24 F 060 000 from Ch. No. 24 F 060 001 >	251-121-397/F 251-121-397/G	pair pair	<b>£184.95</b> <b>£225.95</b>
<b>Hose clip, screw type.</b>				
34	12mm - 22mm	N01-640-11	each	<b>£2.25</b>
35	16mm - 27mm	N01-640-21	each	<b>£1.50</b>
36	20mm - 32mm	N01-640-31	each	<b>£2.25</b>
37	25mm - 40mm	N01-640-41	each	<b>£3.25</b>
38	23mm - 35mm	N10-258-101	each	<b>£2.95</b>
39	40mm - 55mm	N01-640-91	each	<b>£2.95</b>
40	33mm - 47mm	N01-641-01	each	<b>£2.95</b>
41	<b>Pipe clip</b>	311-133-343	each	<b>£2.25</b>
42	<b>Thermo switch, for DF, DG, EY.</b> M10 X 1, 2 pin, white, 55/65C.	035-919-369/C	each	<b>£5.95</b>
43	<b>Seal, DF, DG, EY</b>	N01-381-15	each	<b>£0.95</b>
44	<b>Water hose 24-D-089 699&gt; manual</b>	025-121-103/C	each	<b>£22.50</b>

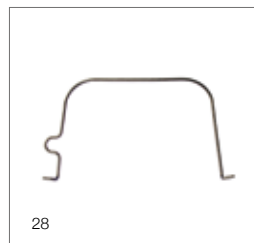
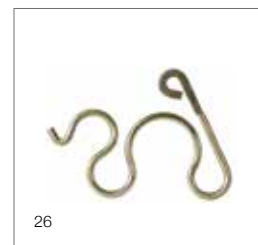
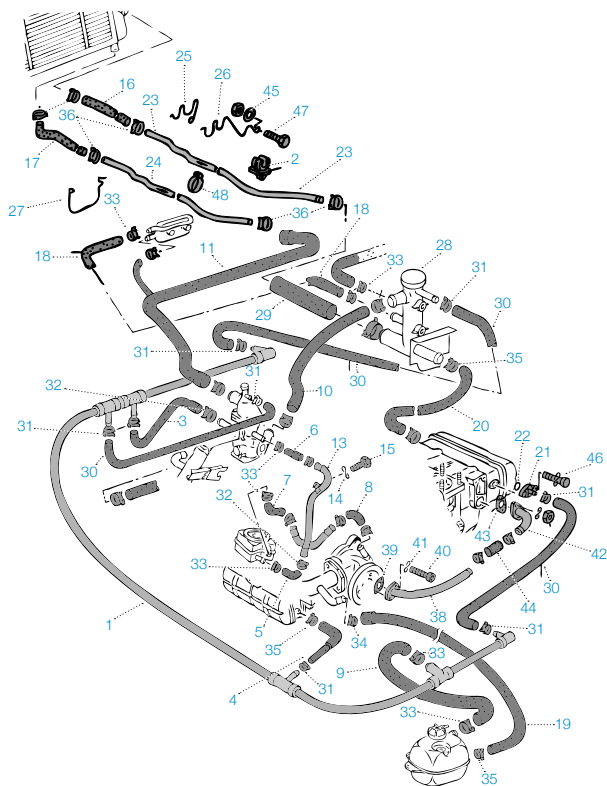
WATER SYSTEM 1.9 WATERBOXER 8/85>



1	<b>Water pipe</b> (plastic) buses & vans pickups only	025-121-045/E 025-121-045/D	each each	<b>£95.95</b> <b>£78.50</b>
2	<b>Clip</b>	357-823-397	each	<b>£2.25</b>
3	<b>Water hose</b>	025-121-053/C	each	<b>£10.95</b>
4	<b>Water hose</b>	025-121-058/C	each	<b>£36.95</b>
4a	<b>Water hose</b> for air con models	025-121-058/M	each	<b>£24.95</b>
5	<b>Water hose</b> , DF, EY engines	025-121-058/K	each	<b>£31.50</b>
6	<b>Water hose</b> 251-256 models, buses & vans 245-248 models pick-ups	025-121-058/H 025-121-108/E	each each	<b>£10.95</b> <b>£9.95</b>
7	<b>Water hose</b> stat housing to distributor	251-121-058/A	each	<b>£9.95</b>
8	<b>Water hose</b> - manual models	025-121-062/E	each	<b>£44.95</b>
9	<b>Water hose</b> DG, SP	025-121-060	each	<b>£20.95</b>
10	<b>Water hose</b> feed pipe to radiator	251-121-082	each	<b>£22.50</b>
11	<b>Water hose</b> rad to front/rear	251-121-083/H	each	<b>£17.95</b>
12	<b>Water hose</b> from Ch. No. 24-H-022 956 Automatic models only.	025-121-104/D	each	<b>NLA</b>
12A	DG & SP engines DF & EY engines	025-121-108/J 025-121-108/D	each each	<b>£86.95</b> <b>£12.95</b>
13	<b>Water hose</b> to Ch. No. >24-H-022 956 from Ch. No. 24-H-022 957 >	251-121-130/A 251-121-130/B	each each	<b>£14.95</b> <b>£11.50</b>
14	<b>Flange</b>	025-121-160/D	each	<b>£26.95</b>
15	<b>Seal</b> 26x3	N90-278-101	each	<b>£1.50</b>
16	<b>Water pipe</b> feed s/steel	251-121-397/M	each	<b>£94.95</b>
17	<b>Water pipe</b> return s/steel	251-121-399/M	each	<b>£94.95</b>
18	<b>Bracket</b> for hose, manual models.	025-121-093/AB	each	<b>£7.24</b>
19	<b>Bracket</b> for hose automatic models.	025-121-093/D	each	<b>£8.25</b>
20	<b>Clamp</b> 85mm	251-121-097	each	<b>£2.95</b>
21	<b>Clamp</b> 103mm	251-121-098/A	each	<b>£1.25</b>

22	<b>Junction</b> up to Ch. No. > 24-H-022 956	251-121-438	each	<b>£60.95</b>
23	<b>Junction</b> up to Ch. No. > 24-H-022 956 automatic models.	251-121-438/A	each	<b>£38.50</b>
24	<b>Junction</b> from Ch. No. 24-H-022 957 >	251-121-438/B	each	<b>£42.95</b>
25	<b>Water hose</b> , manual models	N90-287-303	each	<b>£24.95</b>
26	<b>Water hose</b> , automatic models - to Ch. No. > 24-h-022 956 - from Ch. No. 24-h-022 957>	N90-287-303 251-121-104	each each	<b>£24.95</b> <b>£46.95</b>
27	<b>Water hose</b> 7mm x 2.5mm shorten as required, per metre	443-121-107/A	metre	<b>£13.95</b>
28	<b>Pipe clip</b>	311-133-343	each	<b>£2.25</b>
	<b>Hose clip</b> , screw type			<b>£2.25</b>
29	12mm - 22mm	N01-640-11	each	<b>£1.50</b>
30	16mm - 27mm	N01-640-21	each	<b>£2.25</b>
31	20mm - 32mm	N01-640-31	each	<b>£2.25</b>
32	25mm - 40mm	N01-640-41	each	<b>£2.25</b>
33	33mm - 47mm	N01-641-01	each	<b>£2.95</b>
34	40mm - 55mm	N01-640-91	each	<b>£2.95</b>
32	<b>Pipe Clip</b>	N01-640-21	each	<b>£1.50</b>
35	<b>Water pipe</b> water pump	025-121-151	each	<b>£65.95</b>
36	<b>Gasket</b>	N90-168-502	each	<b>£1.50</b>
37	<b>Bolt</b>	N01-470-91	each	<b>£2.25</b>
38	<b>Spring washer</b>	N01-224-110	each	<b>£0.85</b>
39	<b>Water pipe</b>	025-121-171	each	<b>£6.50</b>
40	<b>Gasket</b>	N90-128-802	each	<b>£6.50</b>
41	<b>Nut</b>	N01-100-830	each	<b>£1.20</b>
42	<b>Hose connector</b>	N90-128-703	each	<b>£5.95</b>
43	<b>Washer</b>	N01-152-520	each	<b>£1.25</b>
44	<b>Bolt</b>	N09-031-51	each	<b>£1.50</b>
45	<b>Bolt</b>	N01-033-24	each	<b>£2.95</b>
46	<b>Hose clip</b> 50mm - 70mm	N02-450-54	each	<b>£2.95</b>
47	<b>Water pipe</b> 85-92	025-121-081/G	each	<b>£65.95</b>

WATER SYSTEM 2.1 WATERBOXER

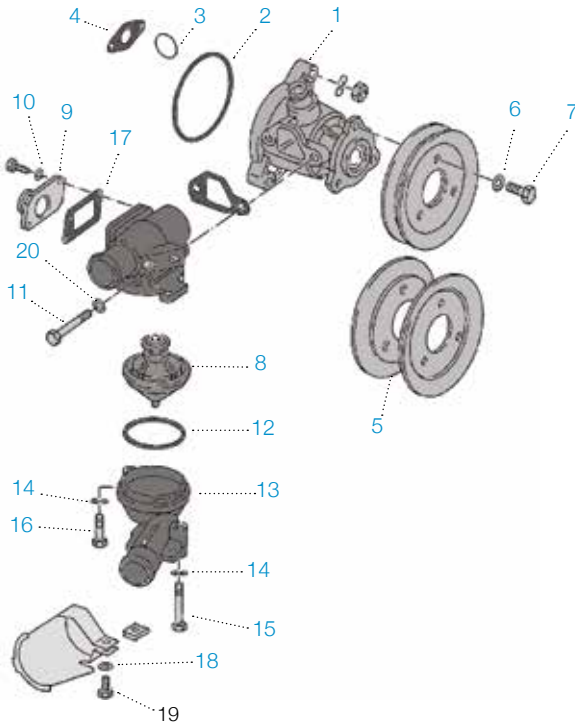


1	<b>Water pipe</b> , buses & vans (251-256 models) pick-ups (245-248 models)	025-121-045/A 025-121-045/C	each each	<b>£54.95</b> <b>CALL</b>
2	<b>Clip</b> for water pipe 8/85>, 6 required.	255-121-046	each	<b>NCA</b>
3	<b>Water hose</b> stat housing - bleed-pipe	025-121-058/B	each	<b>£13.95</b>
4	<b>Water hose</b> for vehicles with air conditioning.	025-121-058/C 025-121-058/M	each each	<b>£36.95</b> <b>£24.95</b>
5	<b>Water hose</b> from oil cooler to return pipe	025-121-058/D	each	<b>£8.95</b>
6	<b>Water hose</b> thermostat to cooler pipe	025-121-058/E	each	<b>£8.25</b>
7	<b>Water hose</b> water,inlet to oil cooler	025-121-058/G	each	<b>£8.25</b>
8	<b>Water hose</b> water pump outlet->cooler	025-121-058/J	each	<b>£9.50</b>
9	<b>Water hose</b> , buses & vans (251-256 models) pick-ups (245-248 models)	025-121-058/H 025-121-108/E	each each	<b>£10.95</b> <b>£9.95</b>
10	<b>Water hose</b> t/stat housing to distributor	251-121-058/A	each	<b>£11.95</b>
11	<b>Water hose</b> , manual models automatic models	025-121-062/E 025-121-062/F	each each	<b>£44.95</b> <b>NLA</b>
12	<b>Water pipe</b>	025-121-065	each	<b>£23.95</b>
13	<b>Water pipe</b>	025-121-065/A	each	<b>£27.50</b>
14	<b>Spring washer</b>	N01-222-65	each	<b>£0.95</b>
15	<b>Bolt</b>	N01-021-527	each	<b>£1.25</b>
16	<b>Water hose</b>	251-121-082	each	<b>£1.25</b>
17	<b>Water hose</b>	251-121-083/H	each	<b>£17.95</b>
18	<b>Water hose</b> , automatic models to Ch. >24-H-022 956	025-121-104/D	each	<b>NLA</b>
19	<b>Water hose</b> ex tank to water pump	025-121-108/D	each	<b>£12.95</b>
20	<b>Water hose</b> to Ch. >24-H-022 956 from Ch. 24-H-022 957>	251-121-130/A 251-121-130/B	each each	<b>£14.95</b> <b>£11.50</b>
21	<b>Flange</b>	025-121-160/D	each	<b>£26.95</b>
22	<b>Seal</b>	N90-278-101	each	<b>£1.50</b>
23	<b>Water pipe</b> , feed, s/steel	251-121-397/M	each	<b>£94.95</b>
24	<b>Water pipe</b> , return, s/steel	251-121-399/M	each	<b>£94.95</b>
25	<b>Bracket for hose</b> manual models.	025-121-093/AB	each	<b>£7.25</b>

26	<b>Bracket for hose</b> automatic models.	025-121-093/D	each	<b>£8.25</b>
27	<b>Clamp</b> 85mm 103mm	251-121-097 251-121-098/A	each each	<b>£2.95</b> <b>£1.25</b>
28	<b>Hose junction</b> , to Ch. >24-H-022 956 manual automatic	251-121-438 251-121-438/A	each each	<b>£60.95</b> <b>£38.50</b>
28a	<b>Hose junction</b> from Ch. 24-H-022 957>	251-121-438/B	each	<b>£42.95</b>
29	<b>Water hose</b> 38X4,5x150 1	N90-287-303	each	<b>£24.95</b>
29	<b>Water hose</b> automatic - to Ch. >24-H-022 956 - from Ch. 24-H-022 957>	N90-287-303 251-121-104	each each	<b>£24.95</b> <b>£46.95</b>
30	<b>Water hose</b> 7mm x 2.5mm shorten as required, sold per metre.	443-121-107/A	each	<b>£13.95</b>
31	<b>Pipe clip</b>	311-133-343	each	<b>£2.25</b>
32	<b>Hose clip</b> , screw type 12mm - 22mm	N01-640-11	each	<b>£2.25</b>
33	16mm - 27mm	N01-640-21	each	<b>£1.50</b>
34	20mm - 32mm	N01-640-31	each	<b>£2.25</b>
35	25mm - 40mm	N01-640-41	each	<b>£2.25</b>
36	33mm - 47mm	N01-641-01	each	<b>£2.95</b>
36	40mm - 55mm	N01-640-91	each	<b>£2.95</b>
37	<b>Pipe clip</b> 18.5mm	N10-098-001	each	<b>£1.50</b>
38	<b>Water pipe</b> water pump	025-121-151	each	<b>£65.95</b>
39	<b>Gasket</b>	N90-168-502	each	<b>£1.50</b>
40	<b>Bolt</b>	N01-470-91	each	<b>£1.50</b>
41	<b>Spring washer</b>	N01-224-110	each	<b>£0.85</b>
42	<b>Water pipe</b>	025-121-171	each	<b>£0.85</b>
43	<b>Gasket</b>	N90-128-802	each	<b>£30.95</b>
44	<b>Water hose</b> connector	N90-128-703	each	<b>£5.95</b>
45	<b>Washer</b>	N01-152-520	each	<b>£5.95</b>
46	<b>Bolt</b>	N09-031-51	each	<b>£1.50</b>
47	<b>Bolt</b>	N01-033-24	each	<b>£2.95</b>
48	<b>Hose clip</b> , 50mm - 70mm	N02-450-54	each	<b>£2.95</b>

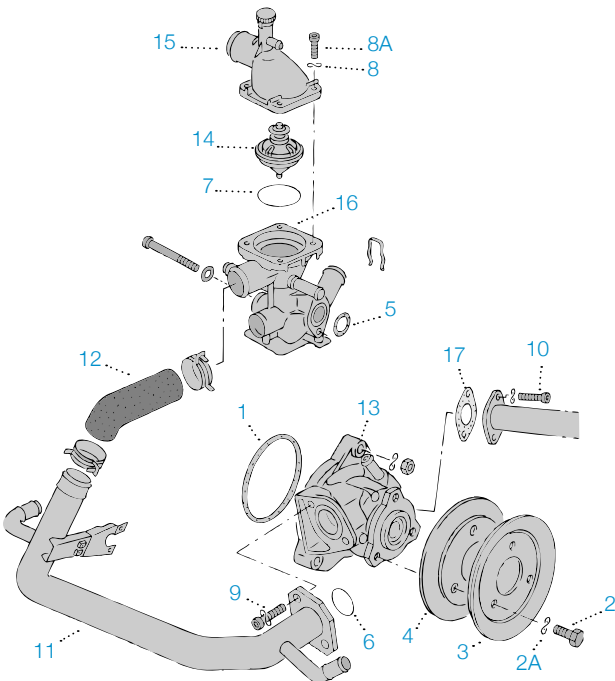


EARLY WATER PUMPS 1.9 >1985



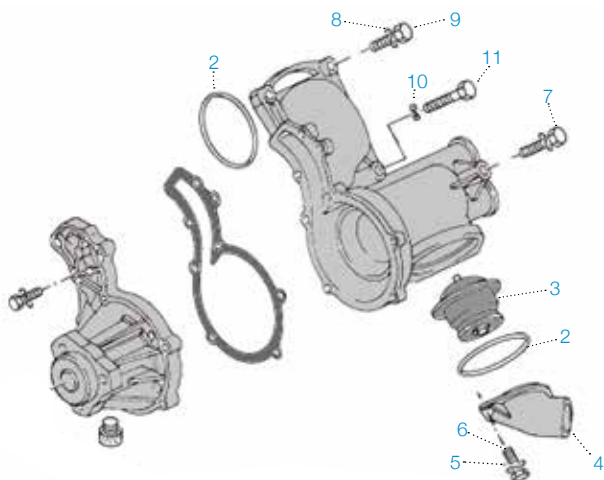
1	<b>Water pump</b> (from Ch. No. 24-D-074 463>)	025-121-010/A	each	<b>£61.50</b>
If you have an early model waterpump (>24-D-074 462) with a one piece pulley you will need to buy a 2 piece pulley (see no. 5 below) when fitting a new water pump.				
2	<b>Water pump to block gasket</b> (rubber ring) 98mm x 4mm 98mm x 5mm	035-121-043 069-121-043	each each	<b>£4.95</b> <b>£5.95</b>
3	<b>O-ring</b>	N02-822-52	each	<b>£5.95</b>
4	<b>Gasket</b>	N90-168-502	each	<b>£1.50</b>
5	<b>Water pump pulley</b> (24-D-074 463>) front half rear half	025-121-031/A 025-121-031/B	each each	<b>£13.95</b> <b>£25.95</b>
6	<b>Washer</b>	N01-152-520	each	<b>£1.25</b>
7	<b>Hexagonal head bolt</b>	N01-023-820	each	<b>£3.25</b>
8	<b>Thermostat</b>	025-121-113/F	each	<b>£10.95</b>
9	<b>Flange</b>	025-121-116	each	<b>£34.95</b>
10	<b>Seal</b>	N01-380-42	each	<b>£0.75</b>
11	<b>Hexagonal head bolt</b>	N01-038-57	each	<b>£3.95</b>
12	<b>Round seal</b>	N90-136-802	each	<b>£2.25</b>
13	<b>Cover</b>	025-121-121/A	each	<b>NLA</b>
14	<b>Spring washer</b>	N01-222-65	each	<b>£0.95</b>
15	<b>Hexagonal head bolt</b>	N01-036-64	each	<b>£1.25</b>
16	<b>Hexagonal head bolt</b>	N01-022-012	each	<b>£1.50</b>
17	<b>Gasket</b>	025-121-127/C	each	<b>£4.95</b>
18	<b>Washer</b>	N01-166-44	each	<b>£1.25</b>
19	<b>Hexagon head panel screw</b>	N01-388-11	each	<b>£0.65</b>
20	<b>Seal</b>	N01-383-07	each	<b>£0.75</b>

LATE WATER PUMP 1.9 & 2.1 1985>



1	<b>Water pump to block gasket</b> (rubber ring) 98mm x 4mm 98mm x 5mm	035-121-043 069-121-043	each each	<b>£4.95</b> <b>£5.95</b>
2	<b>Bolt, M8 x 15</b>	N01-023-820	each	<b>£5.95</b>
2A	<b>Washer</b>	N01-224-110	each	<b>£0.85</b>
<b>Water pump pulley</b>				
3	front	025-121-031/A	each	<b>£13.95</b>
4	rear	025-121-031/B	each	<b>£13.95</b>
5	<b>O-ring</b>	N90-278-101	each	<b>£1.50</b>
6	<b>Seal o-ring</b> 42.5mmx3mm	030-121-119	each	<b>£4.50</b>
7	<b>Seal for waterpump/ thermostat,</b> 3.5mm/60mm	N90-136-802	each	<b>£4.50</b>
8	<b>Spring washer, 6mm</b>	N01-222-65	each	<b>£2.25</b>
8A	<b>Bolt</b>	N10-196-103	each	<b>£0.95</b>
9	<b>Bolt</b>	N09-031-51	each	<b>£1.50</b>
10	<b>Bolt</b>	N01-470-91	each	<b>£2.25</b>
11	<b>Water pipe, pump/T.stat</b>	025-121-081/G	each	<b>£65.95</b>
12	<b>Hose thermostat to w/pump pipe</b>	025-121-073/H	each	<b>£8.25</b>
13	<b>Water pump,</b> 86- DG 1.9 DJ 2.1 with outlet for cooler & 86- Syncro1.9	025-121-010/B 025-121-010/C	each each	<b>NCA</b> <b>£63.50</b>
14	<b>Thermostat</b>	025-121-113/F	each	<b>£10.95</b>
15	<b>Top for T/Stat housing</b>	025-121-114	each	<b>£15.95</b>
16	<b>Thermostat housing (not Syncro)</b> 1.9 (no return for oil cooler) 2.1 (with return for oil cooler)	025-121-115/A 025-121-115	each each	<b>£47.95</b> <b>£46.95</b>
17	<b>Gasket</b>	N90-168-502	each	<b>£1.50</b>

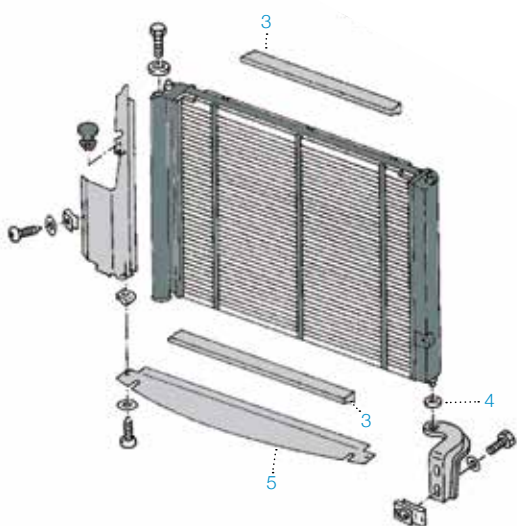
WATERPUMPS - DIESEL MODELS



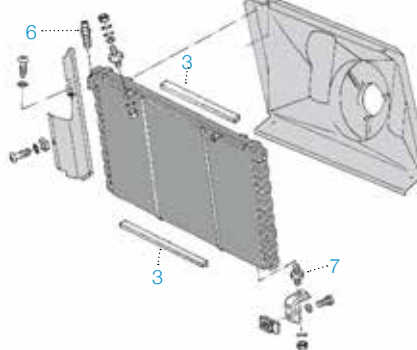
1	<b>Waterpump</b> - complete >4/82 (40mm pulley centre bore) 4/82> (30mm pulley centre bore)	026-121-010/A 026-121-010 /C	each each	<b>£47.95</b> <b>£45.95</b>
1	<b>Water Pump</b> 30mm	037-121-010/C	each	<b>£45.95</b>
2	<b>Seal</b> 4mm/50mm	038-121-119/B	each	<b>£1.25</b>
3	<b>Thermostat</b> 87C-102C	044-121-113	each	<b>£6.25</b>
4	<b>Thermostat housing/cover</b> >7/85 8/85>	048-121-121/B 030-121-121/B	each each	<b>£5.25</b> <b>£3.95</b>
5	<b>Bolt</b>	N01-022-28	each	<b>£1.25</b>
6	<b>Washer</b>	N01-222-65	each	<b>£0.95</b>

7	<b>Bolt</b>	N01-035-069	each	<b>NCA</b>
8	<b>Washer</b>	N01-224-110	each	<b>£0.85</b>
9	<b>Bolt</b>	N01-024-421	each	<b>£1.95</b>
10	<b>Washer</b>	N01-224-110	each	<b>£0.85</b>
11	<b>Bolt</b>	N01-036-09	each	<b>£4.50</b>
	<b>V-belt</b> for waterpump without power steering 10x643 with power steering 10x910 with power steering and air conditioning	068-121-039/B 050-121-039/A 027-903-137	each each each	<b>£6.50</b> <b>£3.95</b> <b>£5.25</b>
12	<b>V-Belt</b> for power steering pump	068-145-271/C	each	<b>£4.50</b>

RADIATORS



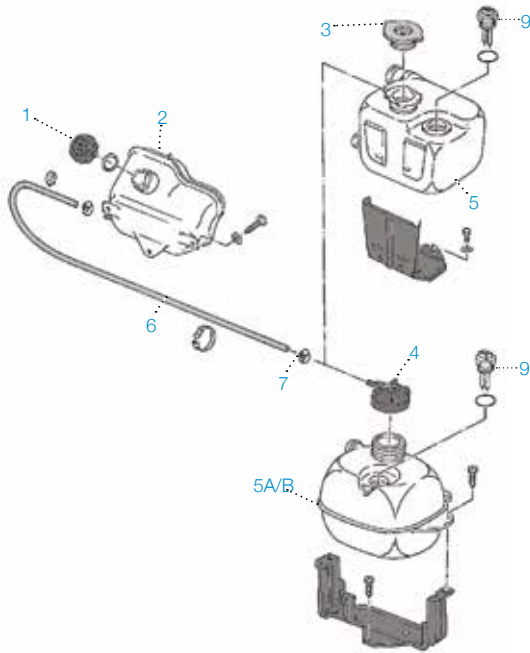
Diesel CS >1982



1	<b>Radiators</b> Waterboxer models DF&EY	025-121-253	each	<b>NCA</b>
2	Diesel models and other Waterboxer models 1.9&2.1	068-121-253/E	each	<b>£157.95</b>
3	<b>Rubber gasket</b> top and bottom of the radiator	431-819-225	each	<b>£5.50</b>

4	<b>Rubber washer</b> for radiator	171-121-276/D	each	<b>£1.25</b>
5	<b>Air duct</b> , cardboard for bottom of radiator	251-121-283/B	each	<b>NLA</b>
6	<b>Bleed valve</b> , diesel CS >1982	113-615-273/A	each	<b>£3.50</b>
7	<b>Radiator mount</b> , diesel CS >1982	803-121-273	each	<b>£9.95</b>

HEADER TANKS - ALL MODELS



1	<b>Cap for header tank 8/82-91</b>	025-121-482	each	<b>£9.50</b>
2	<b>Header tank</b> Waterboxer & diesel 8/82-91 diesel 81-8/82	068-121-405/A 068-121-405/B	each each	<b>NLA</b> <b>£74.95</b>
3	<b>Cap for expansion tank,</b> metal 1.6D 81-1/84 1.9 8/82-3/83	025-121-321	each	<b>£8.25</b>
4	<b>plastic w/take-off</b> - Waterboxer 24-D-089 113-> - diesel 24-E-070 001>	025-121-321/B 025-121-321/B	each each	<b>£6.25</b> <b>£9.95</b>



5A



5B



8



9

<b>Expansion tank,</b> early style for metal cap - 8/82cs	068-121-405/B	each	<b>£74.95</b>
5 late style for plastic cap - 1.9 Waterboxer 4/83 - 7/85 & diesel 12/84	025-121-403/A	each	<b>£21.95</b>
5A - 1.9/2.1 8/85>	025-121-403/B	each	<b>£20.95</b>
5B 8/82-1/84	068-121-405/D	each	<b>NLA</b>
6 <b>Hose</b> 7mm x 2.5mm per metre	443-121-107/A	each	<b>£13.95</b>
7 <b>Pipe clip</b>	311-133-343	each	<b>£2.25</b>
<b>Coolant additive</b> 8 antifreeze, genuine VW G13. 1.5 litres.	G-012-A8G-M1	each	<b>£10.95</b>
9 <b>Coolant level switch</b> including seal early style: 2 x 6.3mm pins late style: 2 x 2.8mm pins (for plug)	251-919-372 251-919-372/A	each each	<b>£9.95</b> <b>£8.50</b>

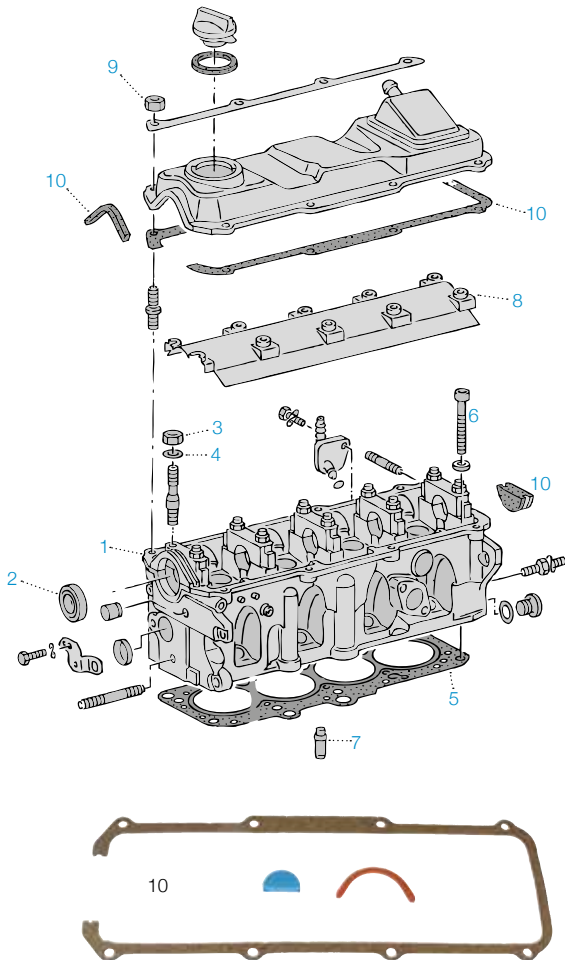


HEATER MATRIX



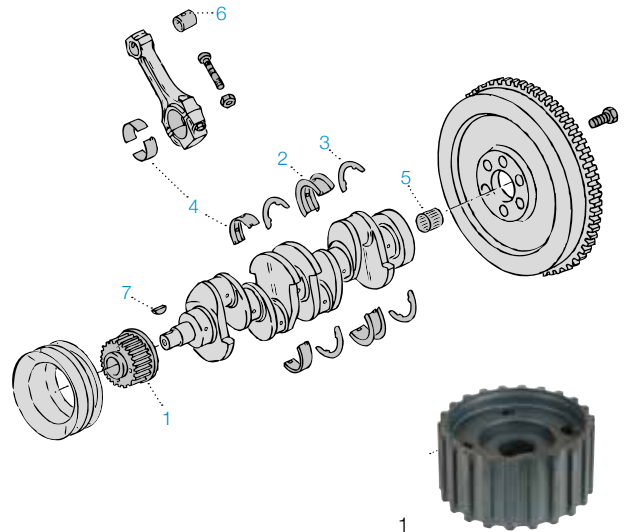
1	<b>Heater Matrix</b>	025-121-482	each	<b>£9.50</b>
2	<b>Heater valve</b>	171-819-809/E	each	<b>£9.95</b>
3	<b>Heater fan motor</b> all models	251-819-015	each	<b>£33.95</b>

CYLINDER HEAD



1	<b>Cylinder head - new complete</b> Including cam and valves. 1600 diesel 1600 turbo diesel 1700 diesel	068-103-265/BX 068-103-265/E 033-103-265/X	each each each	<b>£606.95</b> <b>£545.95</b> <b>£572.95</b>
2	<b>Camshaft seal</b>	068-103-085/E	each	<b>£7.50</b>
3	<b>Nut</b>	N01-100-88	each	<b>£0.50</b>
4	<b>Washer</b>	N01-155-811	each	<b>£0.85</b>
5	<b>Cylinder head gasket</b> 1600 diesel & turbo diesel >85 3 notch 1600 diesel & turbo diesel >85 3 hole 1700 diesel 3 hole	068-103-383/FN 068-103-383/FG 033-103-383/M	each each each	<b>£27.95</b> <b>£24.95</b> <b>£35.95</b>
	<b>De-coke set (no head gasket)</b> 1600 diesel 1600 turbo diesel 1700 diesel	068-198-012/L 068-198-012/H 033-198-012/A	kit kit kit	<b>£32.50</b> <b>£31.50</b> <b>£34.95</b>
6	<b>Bolt, for cylinder head 12x115mm</b>	068-103-384/A	kit	<b>£16.50</b>
7	<b>Valve guide</b>	056-103-419/A	each	<b>£7.95</b>
8	<b>Oil deflector</b>	026-103-547	each	<b>£5.95</b>
9	<b>Nut</b>	N01-100-624	each	<b>£0.40</b>
10	<b>Rocker cover gasket kit</b>	026-198-025/A	kit	<b>£4.50</b>
	<b>Rocker cover gasket conversion kit</b> Includes shoulder studs. Newer design which reduces the possibility of future oil leaks one piece rubber	026-198-025/C	kit	<b>£17.95</b>
	Gasket Set	037-198-011/C	kit	<b>£51.50</b>

CRANKSHAFT



1	<b>Timing gear</b>	028-105-263/E	each	<b>£16.50</b>
2	<b>Main bearings set (standard size)</b>	026-198-491	each	<b>£37.95</b>
3	<b>Main bearing thrust washer set</b>	026-198-421	each	<b>£17.50</b>
4	<b>Big end bearing kit</b> standard size (call for other sizes)	033-105-701	each	<b>£32.50</b>
5	<b>Needle bearing</b> CS & JX No.>207 603 & KY No. >073 818 JX No. 207 631> & KY No. 073 819>	056-105-313/C 111-105-313/A	each each	<b>£10.95</b> <b>£4.95</b>
6	<b>Small end bush, 24mm</b>	069-105-431/A	kit	<b>£19.50</b>
7	<b>Woodruff key</b>	N01-270-82	each	<b>£5.95</b>

OIL PUMP



1	<b>Oil pump T25 1.6/1.7 Diesel</b>	068-115-105/BP	each	<b>£43.50</b>
---	------------------------------------	----------------	------	---------------

HAVE YOU VISITED OUR NEW WEBSITE?

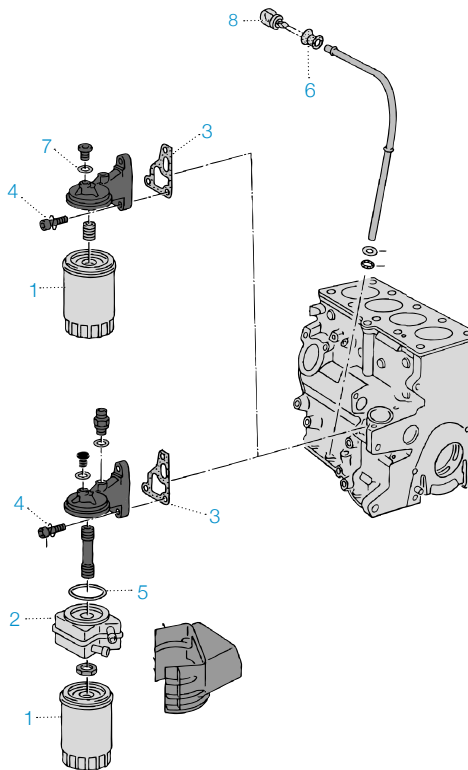
All parts are available on our website and on our mobile site for use with smart phones, great for in the garage or out on the show field.

[www.vwheritage.com](http://www.vwheritage.com)



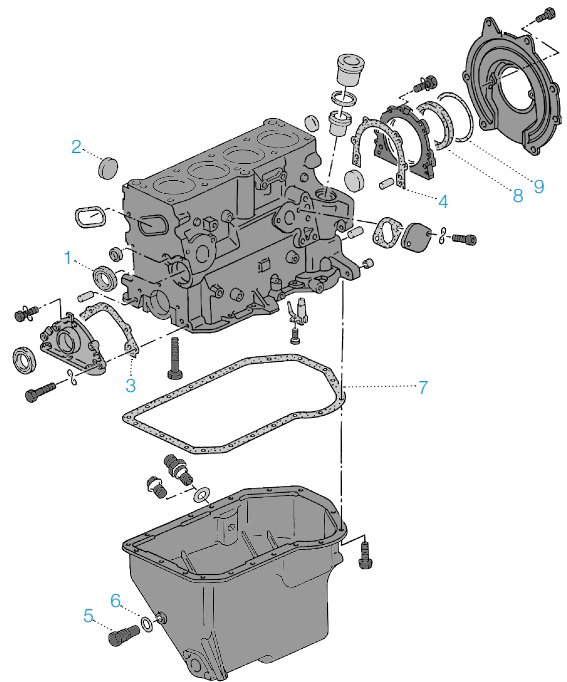


**OIL SYSTEM**



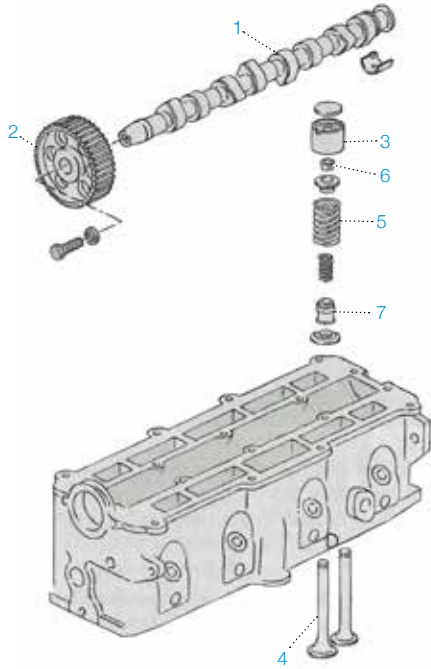
1	<b>Oil filter</b>	068-115-561/B	each	<b>£9.95</b>
2	<b>Oil cooler</b>	068-117-021/B	each	<b>£40.95</b>
4	<b>Hex bolt</b>	N09-031-51	each	<b>£1.50</b>
3	<b>Gasket</b>	026-115-441/A	each	<b>£2.25</b>
5	<b>Seal</b>	038-117-070/A	each	<b>£3.50</b>
6	<b>Seal</b>	N01-381-15	each	<b>£0.95</b>
7	<b>Guide</b>	036-115-636	each	<b>£3.25</b>
8	<b>Dipstick</b>	068-115-611/N	each	<b>£8.95</b>

**CYLINDER BLOCK**



1	<b>Crankshaft oil seal - pulley end</b>	068-103-085/E	each	<b>£7.50</b>
2	<b>Core plug 36mm x 6mm</b>	059-103-113	each	<b>£3.25</b>
3	<b>Flange gasket - front</b>	026-103-161/B	each	<b>£2.25</b>
4	<b>Flange gasket - rear</b>	026-103-181/B	each	<b>£3.25</b>
5	<b>Oil drain plug (in sump)</b>	068-103-193/A	each	<b>£4.50</b>
6	<b>Seal for sump drain plug</b>	N01-384-92	each	<b>£1.25</b>
7	<b>Sump gasket rubber double lip</b>	044-103-609/D	each	<b>£6.95</b>
8	<b>Crankshaft oil seal - flywheel end</b>	068-103-051/G	each	<b>£6.95</b>
9	<b>Gasket</b>	055-103-650	each	<b>NCA</b>

VALVE TRAIN



1	<b>Camshaft</b>	068-109-101/B	each	<b>£120.70</b>
2	<b>Timing wheel</b>	069-109-111	each	<b>£100.95</b>
3	<b>Cam follower, 1/81-7/92</b>	056-109-311/A	each	<b>£20.50</b>
4	<b>Valves</b>			
	inlet			
	CS engine code	068-109-601/C	each	<b>NCA</b>
	KY engine code	068-109-601/D	each	<b>£7.25</b>
	JX engine code	068-109-601/D	each	<b>£7.25</b>
	exhaust			
	all models	068-109-611/D	each	<b>CALL</b>
5	<b>Valve spring</b>	056-109-623/A	each	<b>NCA</b>
6	<b>Valve cotter</b> for 3 groove valve all diesel except early CS	113-109-651/A	each	<b>£1.50</b>
7	<b>Valve stem seal</b>	026-109-675	each	<b>£1.50</b>
	<b>Cambelt</b>	068-109-119/E	each	<b>£17.50</b>
	<b>Cambelt tensioner</b>	068-109-243/F	each	<b>£18.95</b>

INTAKE / FUEL



<b>Fuel filter diesel</b>				
1	86-87	068-127-177/B	each	<b>£8.25</b>
2	07/87-9/88	191-127-401/C	each	<b>£14.50</b>
3	9/88> for pre heat	1H0-127-401/C	each	<b>£13.95</b>
4	<b>Valve, fuel supply for diesel filter</b>	191-127-247/A	each	<b>£6.25</b>
5	<b>Air filter rectangular, diesel (no turbo)</b>	069-129-620	each	<b>£8.95</b>
	<b>air filter, turbo diesel</b>	060-129-620	each	<b>£22.50</b>
	<b>Air cut off valve, diesel</b>	028-130-135/B	each	<b>£17.95</b>
	<b>Sealing washer for Injector</b>	068-130-219	each	<b>£1.50</b>

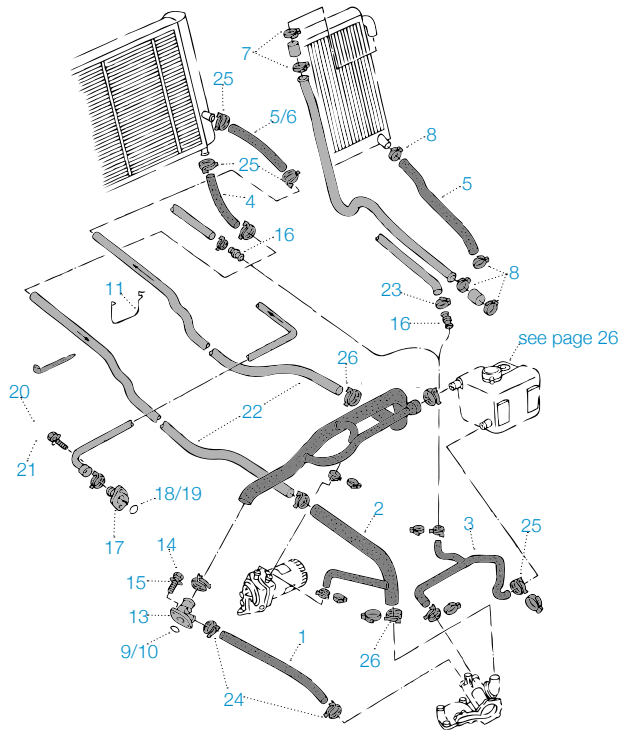
FUEL PIPE SET



<b>Injector line set, 1.6TD</b>	068-198-002	set	<b>£48.95</b>
---------------------------------	-------------	-----	---------------

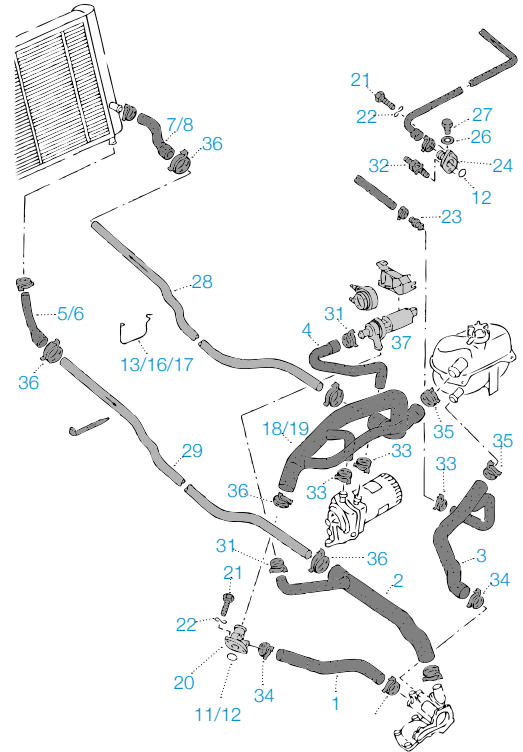


1600 CS AND 1700 KY DIESEL



1	<b>Water hose</b> from water pump	068-121-053/M	each	<b>£10.95</b>
2	<b>Water hose</b> from Ch. 24-D-000 001 to 24-E-068 000 from Ch. 24-F-060 001> 12/1985>	068-121-073/C 068-121-073/G	each each	<b>NCA</b> <b>£17.95</b>
3	<b>Water hose</b> from Ch. 24-E-068 001>	068-121-081/C	each	<b>£51.50</b>
4	<b>Water hose</b> from Ch. 24-D-000 001 to 24-F-060 000 from Ch. 24-F-060 001> 12/1985>	251-121-083/G 251-121-083/H	each each	<b>NLA</b> <b>£17.95</b>
5	<b>Water hose</b> to Ch. >24-F-060 000	N90-166-601	each	<b>£22.50</b>
6	<b>Water hose</b> 24-F-060 001	251-121-082	each	<b>£22.50</b>
7	<b>Pipe clip</b> to Ch. >24-C-175 000	N02-450-44	each	<b>£1.50</b>
8	<b>Pipe clip</b> 24-C-175 000, 33-47mm	N01-641-01	each	<b>£2.95</b>
9	<b>Seal</b>	037-121-687	each	<b>£2.50</b>
10	<b>Gasket</b>	052-121-091/A	each	<b>£1.50</b>
11	<b>Clamp</b> to Ch. No.> 24-F-060 000 from Ch. No. 24-F-060 001 > 85mm from Ch. No. 24-F-060 001 > 103mm	251-121-093 251-121-097 251-121-098/A	each each each	<b>£3.25</b> <b>£2.95</b> <b>£1.25</b>
12	<b>Water hose</b> 24-E-000 001 to 24-F-060 000 from Ch. No. 24-F-060 001 > 1985>	068-121-101/F 068-121-101/H	each each	<b>CALL</b> <b>£36.95</b>
13	<b>Flange</b>	068-121-133/M	each	<b>£91.50</b>
14	<b>Bolt</b>	N01-021-710	each	<b>£2.25</b>
15	<b>Spring washer</b>	N01-222-65	each	<b>£0.95</b>
16	<b>Connecting pipe</b>	171-121-140/D	each	<b>£2.95</b>
17	<b>Flange</b>	068-121-145/K	each	<b>NLA</b>
18	<b>Seal</b>	037-121-687	each	<b>£2.50</b>
19	<b>Gasket</b>	052-121-091/A	each	<b>£1.50</b>
20	<b>Bolt</b>	N01-021-710	each	<b>£2.25</b>
21	<b>Spring washer</b>	N01-222-65	each	<b>£0.95</b>
22	<b>Water pipes</b> - front to rear, feed & return sold in pairs. s/steel	251-121-397/G	pair	<b>£225.95</b>
23	<b>Hose clip</b> 16mm - 27mm	N01-640-21	each	<b>£1.50</b>
24	<b>Hose clip</b> 25mm - 40mm	N01-640-41	each	<b>£2.25</b>
25	<b>Hose clip</b> 33mm - 47mm	N01-641-01	each	<b>£2.95</b>
26	<b>Hose clip</b> , screw type from Ch. F 24-F-060 001> 40mm - 55mm	N01-640-91	each	<b>£2.95</b>

1600 JX TURBO DIESEL

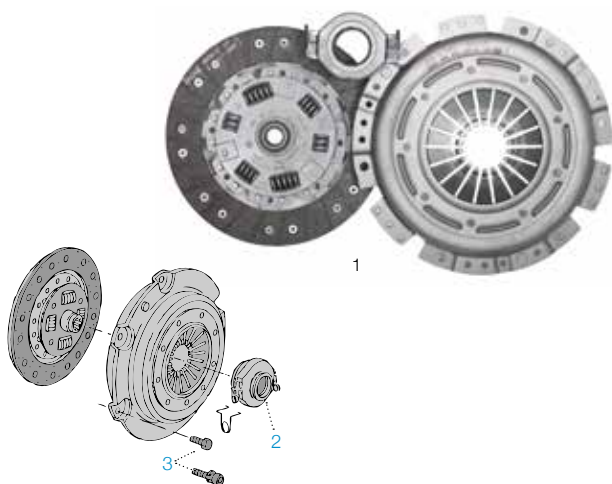


1	<b>Water hose</b> from water pump	068-121-053/M	each	<b>£10.95</b>
2	<b>Water hose</b> , from Ch. 24-F-060 001 >	068-121-073/H	each	<b>£25.95</b>
3	<b>Water hose</b> 3 branch, diesel, w/pump-exp/ tank-h/matrix	068-121-081/C	each	<b>£51.50</b>
4	<b>Water hose</b> oil cooler>water pump	068-121-105	each	<b>£22.50</b>
5	<b>Water hose</b> , To Ch > 24-F-060 000	251-121-083/G	each	<b>NLA</b>
6	<b>Water hose</b> , from Ch. 24-F-060 001 >	251-121-083/H	each	<b>£17.95</b>
7	<b>Water hose</b> , to Ch > 24-F-060 000	N90-166-601	each	<b>£22.50</b>
8	<b>Water hose</b> 24-F-060 001>	251-121-082	each	<b>£22.50</b>
11	<b>O-ring</b>	037-121-687	each	<b>£2.50</b>
12	<b>Gasket</b>	052-121-091/A	each	<b>£1.50</b>
13	<b>Pipe clip</b> (also use screw & washer below)	251-121-093	each	<b>£3.25</b>
14	<b>Washer</b>	N01-154-02	each	<b>£0.85</b>
15	<b>Screw</b>	N01-396-626	each	<b>£1.25</b>
16	<b>Clamp</b> from Ch. 24-F-060 001 > 85mm	251-121-097	each	<b>£2.95</b>
17	<b>Clamp</b> from Ch. 24-F-060 001 > 103mm	251-121-098/A	each	<b>£1.25</b>
18	<b>Water hose</b> to Ch. > 24-F-060 000	068-121-101/F	each	<b>NCA</b>
19	<b>Water hose</b> from Ch. 24-F-060 001 >	068-121-101/H	each	<b>£36.95</b>
20	<b>Flange</b>	068-121-133/M	each	<b>£36.95</b>
21	<b>Bolt</b>	N01-021-710	each	<b>£2.25</b>
22	<b>Spring washer</b>	N01-222-65	each	<b>£2.25</b>
23	<b>Connecting pipe</b>	171-121-140/D	each	<b>£2.95</b>
24	<b>Flange</b>	068-121-145/K	each	<b>NLA</b>
26	<b>Seal</b>	N01-381-15	each	<b>£0.95</b>
27	<b>Sealing plug</b> M10x1	N01-602-41	each	<b>£2.95</b>
28	<b>Water pipes</b> - front to rear, feed & return sold in pairs. s/steel	251-121-397/G	each	<b>£225.95</b>
31	<b>Hose clip</b> 20mm-32mm	N01-640-31	each	<b>£2.25</b>
32	<b>Double threaded stud</b>	027-121-631/A	each	<b>£3.25</b>
33	<b>Hose clip</b> 16mm - 27mm	N01-640-21	each	<b>£1.50</b>
34	<b>Hose clip</b> 25mm - 40mm	N01-640-41	each	<b>£2.25</b>
35	<b>Hose clip</b> 33mm - 47mm	N01-641-01	each	<b>£2.95</b>
36	<b>Hose clip</b> 40mm - 55mm	N01-640-91	each	<b>£2.95</b>
37	<b>Additional water pump</b>	034-965-561/C	each	<b>£168.95</b>

# TRANSMISSION

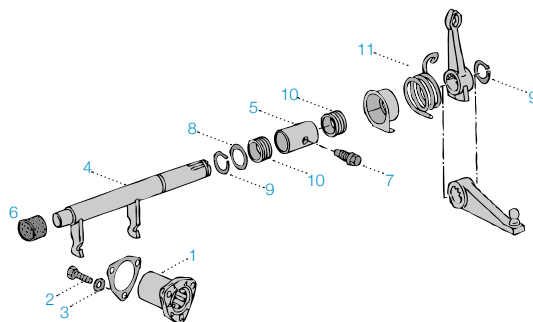


## CLUTCH & COMPONENTS



1	<b>Clutch kits (3 piece inc bearing)</b>		kit	
	1.6 CT 215mm	022-198-141/A	kit	<b>£107.95</b>
	1.9 DG >3/1983 215mm	022-198-141/A	kit	<b>£107.95</b>
	2.0 CU 228mm	029-198-141/A	kit	<b>£119.95</b>
	1.9 DG 4/83-5/89 228mm	029-198-141/A	kit	<b>£119.95</b>
	2.1 DJ >5/89 228mm	029-198-141/A	kit	<b>£119.95</b>
	2.1 DJ 5/89> 228mm	029-198-141/B	kit	<b>£149.95</b>
	1.6 Diesel CS, KY, JX 215mm	068-198-141/H	kit	<b>£109.95</b>
2	<b>Clutch bearing, all models</b>	113-141-165/B	each	<b>£29.95</b>
3	<b>Clutch bolt</b>			
	CT engine M7x16 / early DG	022-141-197/C	each	<b>£3.50</b>
	CU/DG/DJ engines	N01-029-35	each	<b>£3.25</b>
	Diesel engines M8x16	N01-473-92	each	<b>£1.25</b>

## CLUTCH OPERATING SHAFT



1	<b>Guide sleeve</b>	016-141-181	each	<b>£8.50</b>
2	<b>Bolt</b>	N04-020-33	each	<b>£1.50</b>
3	<b>Washer</b>	N01-213-42	each	<b>£0.85</b>
4	<b>Clutch operating shaft, inc Syncro</b>	091-141-701	each	<b>£29.50</b>
5	<b>Bush, left</b>	113-141-707/C	each	<b>£4.50</b>
6	<b>Bush, right</b>	113-141-711/A	each	<b>£4.95</b>
7	<b>Screw</b>	113-311-141/A	each	<b>£1.25</b>
8	<b>Washer</b>	113-141-717/A	each	<b>£1.50</b>
9	<b>Circlip</b>	N01-242-01	each	<b>£1.25</b>
10	<b>Rubber bush</b>	113-141-721/A	each	<b>£2.25</b>
11	<b>Return spring</b>	113-141-723/C	each	<b>£4.50</b>

## NOT TAKEN YOUR OLD CLUTCH OUT YET?

Your full chassis and engine number will help us identify which one you need



## CLUTCH CENTRE PLATE



Standard 228mm clutch friction disc 025-141-031/D kit £45.95

## DONT FORGET YOUR GEARBOX OIL

*When was it last changed?*

## CLUTCH RELEASE BEARINGS



Clutch release bearing all models 113-141-165/B kit £29.95

## PERFORMANCE CLUTCH UPGRADES

UPGRADES  
& CUSTOM PARTS

## Cutch Shaft Heavy Duty

Heavy duty clutch cross shaft 18/20mm with full circle welded arms. Designed for use with a late clutch and no pressure plate pad.

- |  |             |      |               |
|--|-------------|------|---------------|
| <b>1 Heavy duty cross shaft kits 18/20mm shaft</b>                     |             |      |               |
| Heavy duty cross shafts with full circle, welded arms                  |             |      |               |
| EMPI brand   | AC141503514 | each | <b>£36.95</b> |
| Clutch shaft, bushing kit  | AC198502911 | kit  | <b>£18.95</b> |
| <b>2 Clutch shaft lever arm.</b>                                       |             |      |               |
| Heavy duty, forged chromoly. Not suitable for hydraulic clutch models. | AC141719A   | each | <b>£17.95</b> |

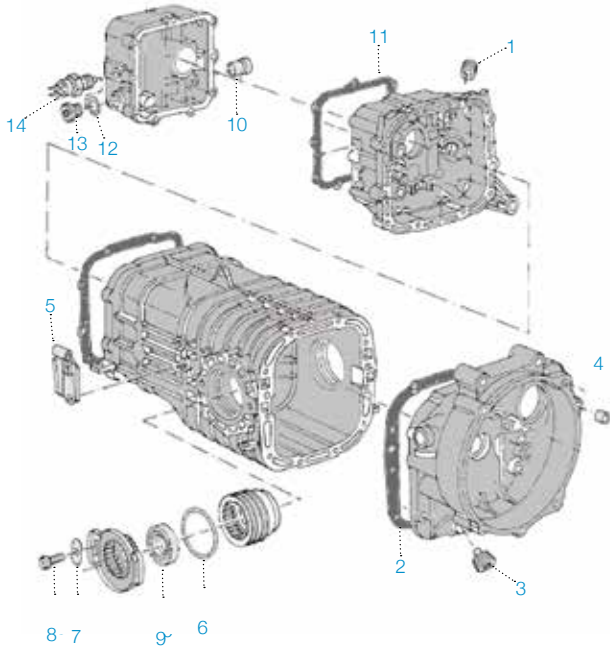
## DONT FORGET TO ORDER...



- |   |           |      |               |
|---|-----------|------|---------------|
| <b>1 Gearbox drain plug socket*</b><br>fits 3/8" drive ratchet.                     | AC000114  | each | <b>£5.26</b>  |
| <b>2 Gearbox drain plug wrench*</b><br>(*can also be used on IRS A-arm bolts)       | AC0005788 | each | <b>£5.25</b>  |
| <b>3 Clutch alignment tool</b> a must for any mechanic.<br>T2 1.7-2.0L / T25 Petrol | AC0005335 | each | <b>£11.95</b> |
| <b>4 Gearbox oil, Lodexol 80w/90</b> 5 litres                                       | ML006     | each | <b>£26.95</b> |
| <b>5 Gearbox oil, Lodexol 80w/90</b> 1 litre  | ML007     | each | <b>£9.75</b>  |



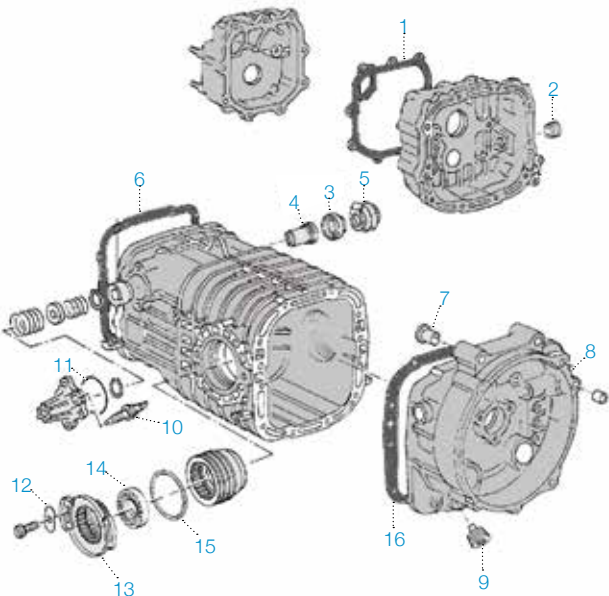
GEARBOX >84



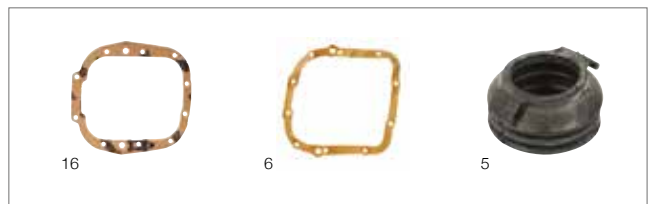
1	<b>Plug</b>	WHT-001-937	each	£4.95
2	<b>Gasket</b>	091-301-131	each	£4.50
3	<b>Oil drain plug</b> magnetic magnetic oversize	091-301-141 091-301-143	each each	£10.50 NCA
4	<b>Bush for starter motor</b>	091-301-155	each	£1.50
5	<b>Clutch cable bracket</b>	002-301-161/A	each	£17.95
6	<b>O-ring</b>	002-301-185/A	each	£5.95
7	<b>Washer, for above</b>	113-301-195	each	£1.25
8	<b>Bolt</b>	N90-009-201	each	£8.95
9	<b>Seal</b>	091-301-189	each	£10.95
10	<b>Bearing Bush</b>	001-301-209	each	£7.25
11	<b>Gasket</b>	091-301-215	each	£7.25
12	<b>Seal</b>	N01-381-65	each	£1.50
13	<b>Plug, screw-in (no reverse light switch)</b>	113-301-229/A	each	£3.25
14	<b>Reverse light switch</b> >1983,>24-D-051 580	251-941-521	each	£16.50
15	<b>Input shaft seal</b>	113-311-113/A	each	£4.25

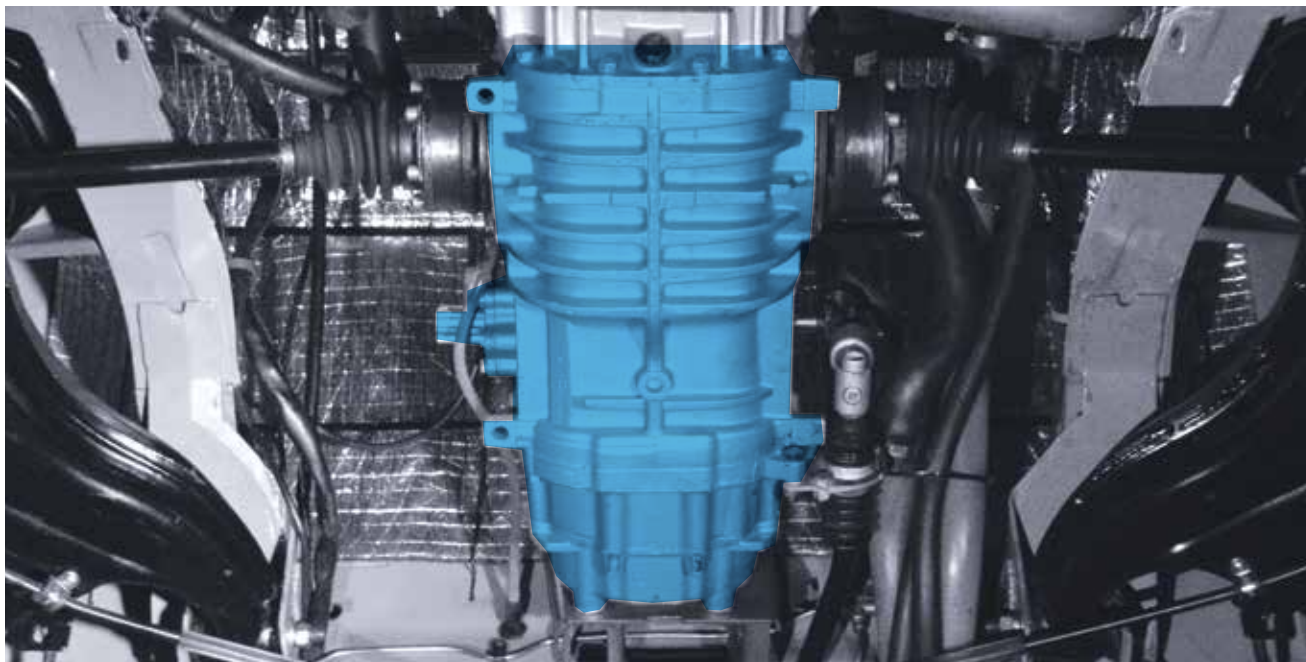


GEARBOX 85>



1	<b>Gasket, nose cone</b>	091-301-215/A	each	£6.95
2	<b>Plug</b>	WHT-001-937	each	£4.95
3	<b>Oil Seal, gear selector</b>	020-141-733/D	each	NLA
4	<b>Bush, gear selector</b>	020-141-711/A	each	£1.25
5	<b>Boot, gear selector</b>	020-301-261/A	each	£4.50
6	<b>Gasket, intermediate</b>	091-301-191	each	£1.50
7	<b>Bush</b>	211-599-435/A	each	£2.25
8	<b>Bush for starter motor</b>	113-301-155	each	£1.25
9	<b>Drain plug, magnetic</b>	091-301-141	each	£8.75
10	<b>Reverse light switch</b>	020-945-415/A	each	£7.50
11	<b>Oil seal</b>	094-301-278/A	each	NLA
12	<b>Bolt</b>	N90-009-201	each	£8.95
	<b>Spring washer for above</b>	N01-223-45	each	£0.95
13	<b>Washer</b>	113-301-195	each	£1.25
14	<b>Cover plate</b>	091-301-197	each	£10.95
15	<b>Seal</b>	091-301-189	each	£10.95
16	<b>O-ring</b>	002-301-185/A	each	£5.95
17	<b>Bell housing gasket</b>	091-301-131	each	£4.50
	<b>Input shaft seal</b>	113-311-113/A	each	£4.25





# GEARBOXES

## 4 SPEED & 5 SPEED

Type 25 gearboxes are a bit of a minefield as there are about 75 different gearbox codes in total, including automatics and Syncros and many differ only very slightly from others. In our range of reconditioned gearboxes below we have listed all the common codes. If your vehicle has a different code we can still help you, just give us a call.

In the case of 5 speed and Syncro gearboxes depending on our stocks of core we may not be able to offer an exchange service and may need to recondition your unit.

Syncro gearboxes are priced on a case by case basis depending on the code and availability of parts. You will find the gearbox code number on the right hand side of the gearbox, please have this ready when you call.

### Important note to 5 speed and Syncro owners

If you suspect anything is wrong with your gearbox please stop using it! There is an incredibly high scrap rate on these gearboxes because owners wait for them to go bang rather than getting them checked/reconditioned when they start showing signs of wear. These gearboxes can wear severely and reach a point of no return after which they can't be repaired. This is a very expensive mistake as the core charges are very high and good core is hard to find.

- Fully Reconditioned.
- Supplied on an exchange basis.
- A desposit is required and this will be refunded upon the return of your old gearbox we call this the "surcharge".
- Gearbox returned for rebuild must turn over and the casings must be free from cracks, holes and excessive corrosion.
- 12 month unlimited mileage warranty (\*Vehicles fitted with aftermarket engines are excluded).

### 4 speed gearboxes - sold exchange, £720 surcharge/deposit.

<b>1600cc CT</b> DH/ code	091-300-043/H	each	<b>£1150.95</b>
<b>2000cc CU/ CV</b> DK code	091-300-043/G	each	<b>£1294.95</b>
<b>Waterboxer</b> ABB/DT code	091-300-044/C	each	<b>£1694.95</b>
ABD/DU/ACW	091-300-044/D	each	<b>£1694.95</b>
<b>1.6D</b> DM code	091-300-043/M	each	<b>£1150.95</b>
ABF/ACP/DY code	091-300-044/K	each	<b>£1694.95</b>
<b>1.6TD</b> ABH code	091-300-044/N	each	<b>£1569.95</b>
<b>1.7D</b> ALD Code	091-300-047/J	each	<b>£1569.95</b>

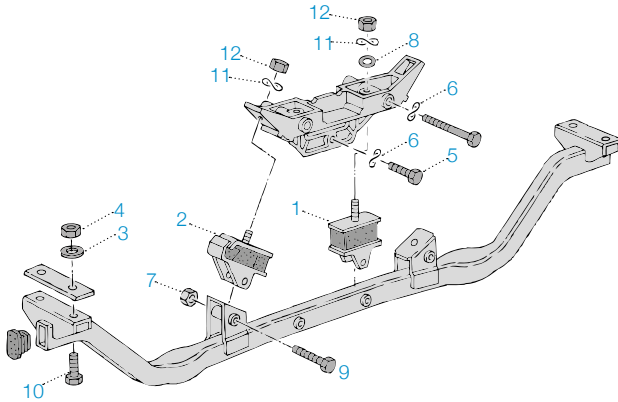
### 5 speed gearboxes - sold exchange, £1200 surcharge/deposit.

<b>Waterboxer</b> DV/DW/ABL/ABN/AGT/8H/8E/8F	094-300-043/K	each	<b>£1447.95</b>
AAP/ASL/ASM	094-300-043/T	each	<b>£1447.95</b>
<b>1.6D/1.7D</b> DX/8L/ABR/ASP	094-300-043/L	each	<b>£1447.95</b>
<b>1.6 TD</b> 34/ASS	094-300-043/F	each	<b>£1447.95</b>
<b>5 speed Syncro gearbox</b> price on case by case basis, customers unit required in advance	094-300-047/Syncro	each	<b>NCA</b>

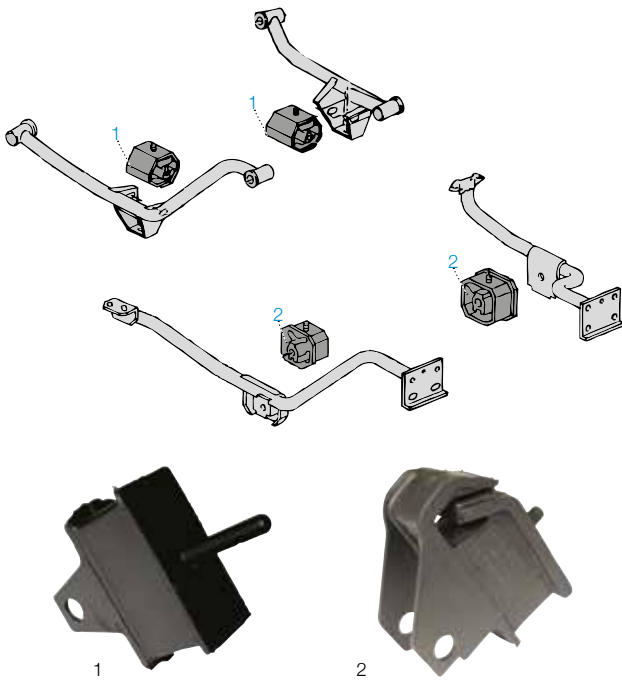
## NEED A CLUTCH CABLE OR PEDAL RUBBER?

You'll find them in the cables and controls section on page 56.

ENGINE MOUNTS

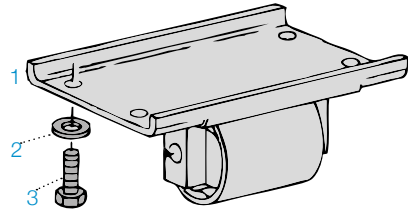


Engine mount, 1.6 CT, 2.0 CU, 1.9-2.1 WBX			
1	inner	070-199-231	each £9.76
2	outer	070-199-231/A	each £9.95
3	Washer	N01-540-13	each £1.95
4	Nut, M8, self locking	N02-214-64	each £0.95
5	Bolt	N01-025-84	each NLA
6	Washer	N01-223-14	each £0.75
7	Nut, M10, self locking	N10-209-005	each £1.25
8	Washer	111-129-720	each £1.25
9	Bolt	N01-002-32	each NLA
10	Bolt	N01-024-421	each £1.96
11	Washer	N01-224-110	each £0.85
12	Nut	N01-100-830	each £1.20



Engine mount - diesel			
1	1.6 CS code >8/83 (>24-C175 000)	251-199-201/E	each NLA
2	1.6/1.7 JX/CS/KY 8/B3>	251-199-201/G	each £27.50

FRONT GEAR BOX MOUNT



1	<b>Gearbox mount, front</b> CT / CU / DG DJ & automatic Diesel - all	251-399-201/E	each	£175.95
		251-399-201/K	each	£99.50
		251-399-201/K	each	£99.50
2	<b>Washer</b>	N01-540-13	each	£1.95
3	<b>Bolt</b>	N01-024-118	each	£1.50

POWERFLEX GEARBOX MOUNTS

UPGRADES & CUSTOM PARTS



1	All Petrol models, excluding 2.1 WBX and Auto	WC50185-1015	each	£28.50
2	All Diesel models, 2.1 WBX and all Automatic	WC50185-1016	each	£34.95
3	<b>Syncro gearbox mount</b>	WC50185-1020KIT2	each	£52.95
	<b>Syncro Differential mount</b>	WC50185-1020	each	£95.50

# OVERSEAS ORDERING?

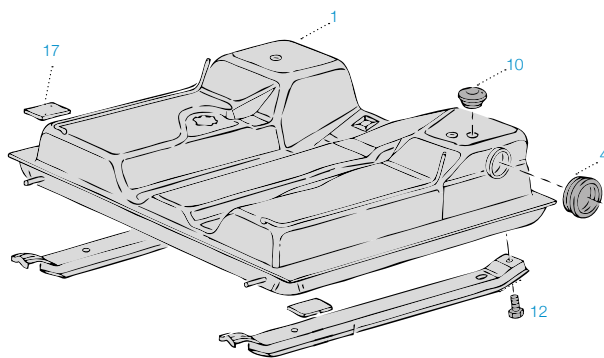
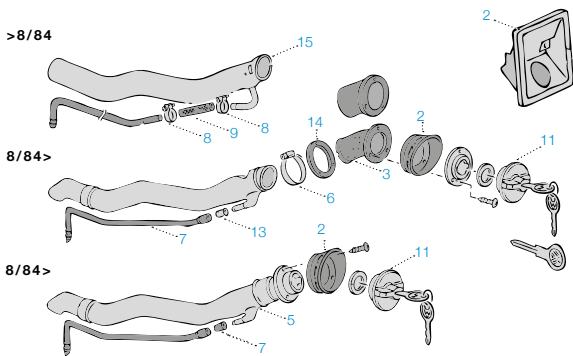
Most parts are available for international shipping  
See website for details



# EXHAUST & FUEL



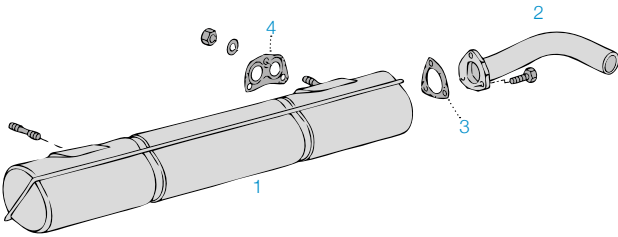
## FUEL TANKS



Fuel tanks - injection carburettor			
	22S-201-075/C	each	<b>NCA</b>
	22S-201-075/D	each	<b>NCA</b>
<b>1</b>	<b>Fuel tank - reproduction</b> petrol injection fuel tank. 48mm filler neck diesel/petrol carburettor models 68mm >85 diesel/petrol carburettor models 68mm 86>	251-201-075/AM 251-201-201/AD 251-201-075/AE	each each each
			<b>£119.95</b>
			<b>£122.95</b>
			<b>£124.95</b>
<b>2</b>	<b>Fuel filler surround</b> Syncro 85-92 (square) T25 (round) 80-92	251-201-117/C 251-201-117	each each
			<b>NLA</b>
			<b>£9.95</b>
<b>3</b>	<b>Fuel filler neck elbow, rubber</b>	251-201-119/D	each
			<b>£15.95</b>
<b>4</b>	<b>Seal, tank to filler neck,</b> 1980-84 57.5 ID/70mm OD for metal filler pipe 1983> 87 ID/50mm OD for plastic filler pipe 1980-84 50ID/70mm OD for plastic filler pipe Allows you to fit late filler tubes to early tanks	251-201-139 251-201-139/A 251-201-139/B	each each each
			<b>£10.50</b>
			<b>£10.50</b>
			<b>£16.95</b>
<b>5</b>	<b>Filler neck,</b> T25, plastic > mid 84, 70mm	251-201-121/D	each
			<b>NLA</b>
	<b>Fuel filler neck, plastic, 50mm</b>	251-201-129/A	each
			<b>NLA</b>

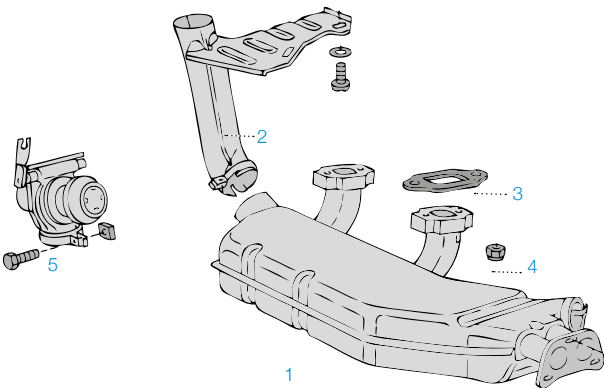
<b>6</b>	<b>Clip, filler neck</b>	N02-452-23	each	<b>£4.50</b>
<b>7</b>	<b>Breather pipe 8/84&gt;</b>	251-201-166	each	<b>£21.95</b>
<b>8</b>	<b>Pipe clip &gt;8/83</b>	N01-640-21	each	<b>£1.50</b>
<b>9</b>	<b>12mm breather hose</b>	N02-029-03	metre	<b>£10.95</b>
<b>10</b>	<b>Sealing grommet</b> breather pipe to fuel tank	N90-100-401	each	<b>£3.70</b>
<b>11</b>	<b>Fuel filler cap</b> locking, Hella	251-201-551/C	each	<b>£18.95</b>
	<b>Fuel filler cap</b> locking, Syncro (4x4)	251-201-551/H	each	<b>CALL</b>
<b>12</b>	<b>Bolt, fuel tank strap</b>	N01-023-820	each	<b>£3.25</b>
<b>13</b>	<b>Sealing grommet, breather pipe</b>	211-611-833/D	each	<b>£2.25</b>
<b>14</b>	<b>Ring</b> behind filler neck stainless steel with screws	251-201-197	each	<b>£4.95</b>
<b>15</b>	<b>Fuel Filter, for fuel injection</b>	1H0-201-511/A	each	<b>£10.50</b>
<b>16</b>	<b>Fuel filter, for carburettor models</b>	251-201-511/G	each	<b>£3.25</b>
<b>17</b>	<b>Mounting pad</b> for fuel tank	251-201-525	each	<b>£4.95</b>
	<b>Breather hose</b> 5mm	N90-099-601	metre	<b>£3.25</b>

EXHAUSTS - CU



1	<b>Silencer</b>	025-251-053/B	each	<b>£126.95</b>
2	<b>Tailpipe</b>	071-251-185/A	each	<b>£26.95</b>
	<b>Fitting kit</b>	021-298-001/A	each	<b>£13.95</b>
3	<b>Gasket</b>	025-251-235	each	<b>£5.95</b>
4	<b>Gasket</b>	021-251-261	each	<b>£5.95</b>

HEAT EXCHANGERS - CU



1	<b>Heat exchanger 2000cc</b>			
	80-83 left	071-256-091/B	each	<b>£212.95</b>
	80-83 right	071-256-092/B	each	<b>£212.95</b>
2	<b>Heat exchanger elbow</b>			
	left and right	071-256-053/PR	pair	<b>£212.95</b>
3	<b>Gasket</b>			
	cylinders 1 & 4	029-256-251/A	each	<b>£4.25</b>
	cylinders 2 & 3	029-256-252/A	each	<b>£4.25</b>
4	<b>Nut</b>	311-101-463	each	<b>£1.25</b>
5	<b>Heat control box</b>			
	2.0 8/79> left	071-256-205/A	each	<b>£60.95</b>
	2.0 8/79> right	071-256-206/A	each	<b>£60.95</b>

CU / WATERBOXER EXHAUST KITS

UPGRADES & CUSTOM PARTS **KIT**



**CU / Waterboxer Complete Kits**

A complete exhaust system at a special price. (If you have a 1986> 1.9 you can fit the earlier system if you change all the components. This will save you quite a lot of money).

The kit includes all of the header pipes, exhaust box, tailpipe and fitting kit. Fits all 1900cc DG Waterboxer engines 86-91. Not for Syncro

<b>T25 DG 1.9 &gt;85</b>	025-298-001	kit	<b>£362.95</b>
<b>DG 1.9 86&gt;</b>	025-298-002	kit	<b>£545.95</b>
<b>DJ 2.1</b>	025-298-003	kit	<b>£497.95</b>

CU / WATERBOXER EXHAUST KITS

UPGRADES & CUSTOM PARTS **KIT**



<b>Exhaust kit, silencer, tailpipe and fitting kit, CU &gt;83 &amp; Waterboxer &gt;85</b>	025-298-053	kit	<b>£161.95</b>
---	-------------	-----	----------------

WATERBOXER EXHAUST KITS

UPGRADES & CUSTOM PARTS **KIT**

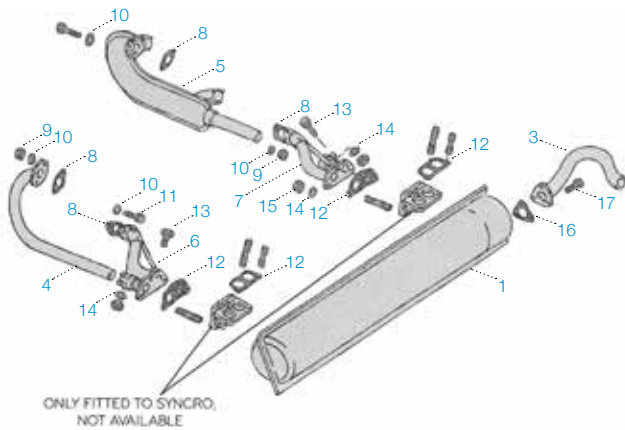


<b>Exhaust kit, T25 DJ 2.1 (Not Syncro) 86&gt;</b>	025-298-003	kit	<b>£497.95</b>
--	-------------	-----	----------------

**FIND US ON FACEBOOK**  
@VWHERITAGE

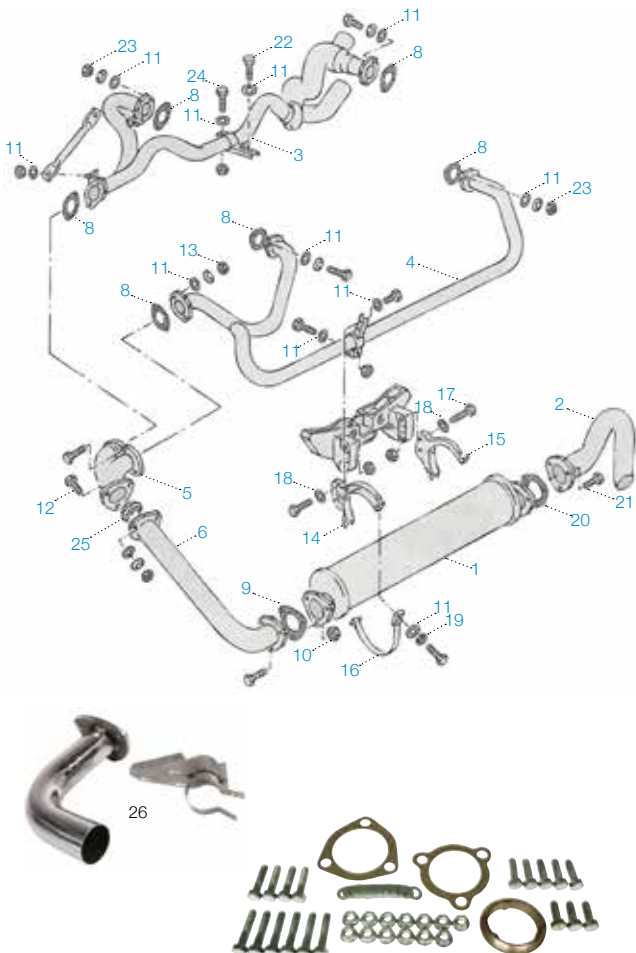


WATERBOXER >85



1	<b>Silencer</b> 1.9 >1985	025-251-053/B	each	<b>£126.95</b>
2	<b>Silencer &amp; tailpipe fitting kit</b>	021-298-001/A	each	<b>£126.95</b>
3	<b>Tailpipe</b>	071-251-185/A	each	<b>£13.95</b>
<b>J-tube</b>				
4	left	025-251-171/F	each	<b>£43.95</b>
5	right	025-251-170/D	each	<b>£77.95</b>
<b>Jointing knuckle</b>				
6	left	025-251-251/E	each	<b>£57.95</b>
7	right	025-251-252/E	each	<b>£57.95</b>
8	<b>Gasket</b> exhaust to head	N90-131-602	each	<b>£2.25</b>
9	<b>Nut</b> (special will not seize)	311-101-463	each	<b>£2.25</b>
10	<b>Washer</b> for above	N01-152-520	each	<b>£1.25</b>
11	<b>Bolt</b>	N01-024-421	each	<b>£1.95</b>
12	<b>Gasket</b> silencer to elbow	021-251-261	each	<b>£2.95</b>
13	<b>Bolt</b> for elbow clamp	N01-035-06	each	<b>£2.26</b>
14	<b>Washer</b>	N01-152-520	each	<b>£1.25</b>
15	<b>Nut</b>	N01-100-830	each	<b>£1.20</b>
16	<b>Gasket</b> for tail pipe	025-251-235	each	<b>£5.95</b>
17	<b>Bolt</b> for tailpipe	N01-029-35	each	<b>£3.25</b>

WATERBOXER 86>



1	<b>Silencer</b> , 1.9 & 2.1 86>	025-251-053/M	each	<b>£143.95</b>
2	<b>Tailpipe</b> , 1.9 & 2.1 86>	025-251-185/F	each	<b>£20.95</b>
3	<b>Front pipe</b> , 1.9 with pre-heat, 86> 2.1 86>	025-251-169/N 025-251-171/AD	each each	<b>£170.95</b> <b>£97.95</b>
4	<b>Rear pipe</b> , 86>	025-251-172/R	each	<b>£137.95</b>
5	<b>Elbow</b> cast, 86>	025-251-217	each	<b>£53.50</b>
6	<b>Pipe</b> side, elbow to silencer 1.9-2.1, 86>	025-251-147/BC	each	<b>£34.95</b>
7	<b>Exhaust fitting kit</b> 1.9/2.1 86> silencer/sidepipe/tail pipe	025-298-009	each	<b>£23.95</b>
8	<b>Gasket</b> exhaust manifold	N90-131-602	each	<b>£2.26</b>
9	<b>Gasket</b> side pipe to silencer	025-251-509/A	each	<b>£4.50</b>
10	<b>Exhaust stud nut</b> easy to remove will not seize	311-101-463	each	<b>£1.25</b>
11	<b>Washer</b>	N01-152-520	each	<b>£1.25</b>
12	<b>Bolt</b> M8 x 60	N01-036-09	each	<b>£4.50</b>
13	<b>Nut</b> M8 self locking	N02-214-64	each	<b>£0.95</b>
<b>Silencer support 86&gt;</b>				
14	left	025-251-519/F	each	<b>£19.50</b>
15	right	025-251-520/F	each	<b>£19.50</b>
16	<b>Silencer strap</b> 86>	025-251-521/C	each	<b>£19.50</b>
17	<b>Bolt</b>	N01-024-78	each	<b>£1.25</b>
18	<b>Washer</b>	211-843-661	each	<b>£1.25</b>
19	<b>Washer</b> M8 locking	N01-203-87	each	<b>£0.95</b>
20	<b>Tailpipe gasket</b>	025-251-235	each	<b>£5.95</b>
21	<b>Bolt</b> M8 x 15	N01-023-820	each	<b>£3.25</b>
22	<b>Bolt</b>	N01-023-911	each	<b>£1.50</b>
23	<b>Exhaust Stud Nut</b> easy to remove, will not seize	311-101-463	each	<b>£1.25</b>
24	<b>Bolt</b>	N01-035-06	each	<b>£2.25</b>
25	<b>Seal</b>	855-253-137/A	each	<b>£5.95</b>
26	<b>Stainless tailpipe</b>	WC251603	each	<b>£65.95</b>



# £ PRICE PROMISE

We work really hard to keep our prices amongst the lowest in the UK. If you see the same product advertised in the UK cheaper elsewhere just let us know and we will match it.

For terms and conditions see our website

SPB 22IX

## SYNCRO PARTS



1B



1A



2



3



4



5

## COVER YOUR CLASSIC & YOUR DAILY DRIVER

Multi Car polices will save you money.  
Limited mileage, agreed valuation,  
modifications not a problem.

Visit: [www.vwheritage-insurance.com](http://www.vwheritage-insurance.com)

<b>Silencer</b>			
1A	no catalyst	025-251-053/M	each <b>£143.95</b>
1B	with catalyst	025-251-053/N	each <b>£210.95</b>
<b>Tail pipe</b>		025-251-185/G	each <b>£27.50</b>
<b>Front pipe work</b>			
	genuine VW	025-251-171/AB	each <b>£258.95</b>
	repro (engine guard requires modification)	025-251-171/AD	each <b>£97.95</b>
2	<b>Rear pipe work</b>	025-251-172/R	each <b>£137.95</b>
3	<b>Cast elbow</b>	025-251-217	each <b>£53.50</b>
<b>Side/interim pipe</b>			
	non catalyst	025-251-147/VB	each <b>NCA</b>
	with catalyst	025-251-147/BL	each <b>£63.95</b>
4	<b>Strap for silencer</b>	025-251-521/C	each <b>£7.95</b>
5	<b>Fitting kit gasket</b>	025-298-009	each <b>£23.95</b>



# DIESEL

## Exhaust Components

### DIESEL EXHAUST KIT

UPGRADES  
& CUSTOM PARTS

**KIT**



**Diesel exhaust kit**

1600cc non turbo CS code 81-7/87  
(Includes silencer and tailpipe)

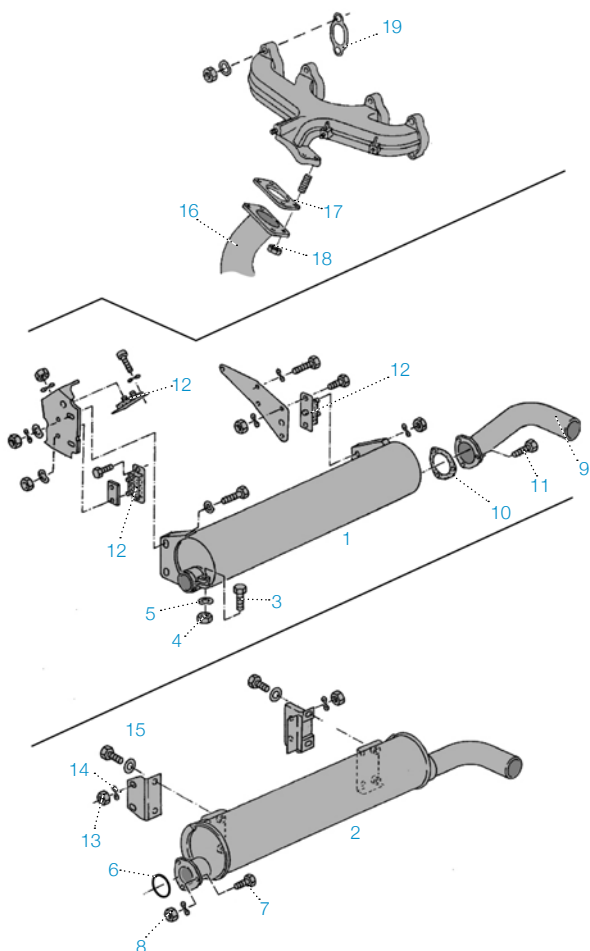
068-298-001

kit

£197.95



### DIESEL EXHAUST



1	<b>Silencer - Diesel engines</b> 1600cc non turbo, CS code 81-7/87	068-251-053/AD	each	£84.95
2	1700cc non turbo, KY code (w/ tailpipe) 1600cc turbo, JX code - 8/84-7/89, separate tailpipe - 8/89>, separate tailpipe	033-251-051/D 068-251-053/H 068-251-053/J	each each	£119.95 £93.95 £161.95
3	<b>Bolt</b> CS/KY >89 JX >7/89	N04-026-22 N01-044-57	each each	£1.95 £4.95
4	<b>Nut</b> CS/KY >89 JX >7/89	N01-100-830 N10-155-207	each each	£1.20 £1.50
5	<b>Washer</b> CS/KY >89 JX >7/89	N01-152-520 N01-115-608	each each	£1.25 NLA
6	<b>Seal for flange joint</b> KY 89> JX 8/89>	447-253-137	each each	0.00 £4.95
7	<b>Bolt for flange joint</b>	N01-034-510	each	£1.50
8	<b>Nut for flange joint</b>	N01-214-64	each	NLA
9	<b>Tailpipe</b> CS JX	071-251-185/A 068-251-185/B	each each	£26.95 £24.95
10	<b>Tailpipe gasket</b> CS JX	025-251-235 068-251-235/A	each each	£5.95 £4.95
11	<b>Bolt for above</b>	N01-029-35	each	£3.25
12	<b>Rubber silencer mount</b> left or right	033-251-393	each	£14.95
13	<b>Nut for silencer mount</b>	N01-100-88	each	£0.50
14	<b>Washer for above</b>	N01-152-520	each	£1.25
15	<b>Bolt for silencer mount</b>	N01-024-016	each	£1.25
16	<b>Down pipe</b> CS 1/81-7/86 KY JX 1964-89 1989-92	068-251-171/D 033-251-171/C 068-251-171/E 068-251-171	each each each each	£52.95 £73.95 £50.50 £63.95
17	<b>Manifold to head gasket (4 req)</b>	028-129-589/B	each	£0.95
	<b>Gasket turbo to downpipe JX</b>	893-253-115	each	£3.75
17	<b>Gasket manifold to downpipe</b> CS & KY	811-253-115/A	each	£1.50
18	<b>Nut down pipe/manifold</b>	N02-214-64	each	£0.95
19	<b>Manifold to head gasket</b>	028-129-589/B	each	£0.95

# PERFORMANCE

## Exhaust Upgrades

Treat your Type 25 to a different look and a sportier sound. These exhausts are a direct fit for 2000cc Air cooled models, and can also be fitted to pre-85 Water boxer engines too.

The black paint finish on performance exhausts is designed only to protect the exhaust during transportation and is not high temperature paint. We recommend repainting your exhaust in high temperature paint to ensure your exhaust lasts as long as possible.

(If you want to fit these exhausts to a 1985> 1.9 Waterboxer you can but you will need to fit all the other early system components see page 40)

### 2 LITRE CU & WBX >85

UPGRADES  
& CUSTOM PARTS



#### EMPI 2 Tip GT/ Dual quiet pack

An all in one system with 2 silencers and 2 chrome tailpipes. Ceramic coating is a space aged, high gloss silver finish that offers high impact protection. It is heat fused at 650 degrees F creating a virtually impenetrable barrier against corrosion and damage. This coating also lowers the temperature of components, which in turn increases power.

Black primer	AC2513483	each	£161.95
Ceramic coating	AC2513483C	each	N/A

### 2 LITRE CU & WBX >85

UPGRADES  
& CUSTOM PARTS



#### Stainless Steel Silencers

Made in the UK from 304 stainless steel with mild steel flanges. Silencers feature high quality internal components that will not break down.

Single 3" polished tailpipe	AC251605	each	£370.95
Twin 3" polished tailpipe	AC251606	each	£384.95

### 2 LITRE CU & WBX >85

UPGRADES  
& CUSTOM PARTS



#### Single quiet pack

A 4 into 1 header for improved power with a single sports silencer.

EMPI - black primer header & silencer	AC2513439	kit	£125.95
---------------------------------------	-----------	-----	---------

SSP stainless steel - made from 304 polished stainless steel with stainless flanges

header	AC251704	each	£162.95
silencer	AC251705	each	£139.95

### WBX STAINLESS STEEL EXHAUST KIT 86>

UPGRADES  
& CUSTOM PARTS

KIT



#### Stainless steel exhaust system for T25 1.9/2.1

These stainless steel exhausts are high quality units made in the UK from 304 stainless steel with mild steel flanges. Designed to match the 1986 to 1992 design, but will fit earlier models as well.

**Includes:** silencer, tail pipe, front pipe work, rear pipe work and link pipe.

Exhaust kit, stainless steel, T25 Petrol	WC298T2501	kit	£738.95
--	------------	-----	---------

# SUSPENSION & STEERING



## POLYURETHANE BUSHES

### SUSPENSION BUSHES



Upgrade to Polyurethane bushes for an improved ride, better handling and reduced body roll.

All Powerflex products are supplied with a lifetime warranty: Fit and forget!



Track control arm (lower)	WC40785-1001	kit	£389.24
Front wishbone (upper)	WC40785-1006	set	£134.55
Radius rod bush	WC40785-1007	pair	£45.31
Radius rod bush, Syncro models	WC40785-1009	pair	£98.25
Anti Roll Bar drop link bush	WC40785-1002	each	£111.35
Anti Roll Bar drop link eyelet, 19mm	WC40785-1008-19	pair	£27.02
Anti Roll Bar drop link eyelet, 21mm	WC40785-1008-21	pair	£27.02

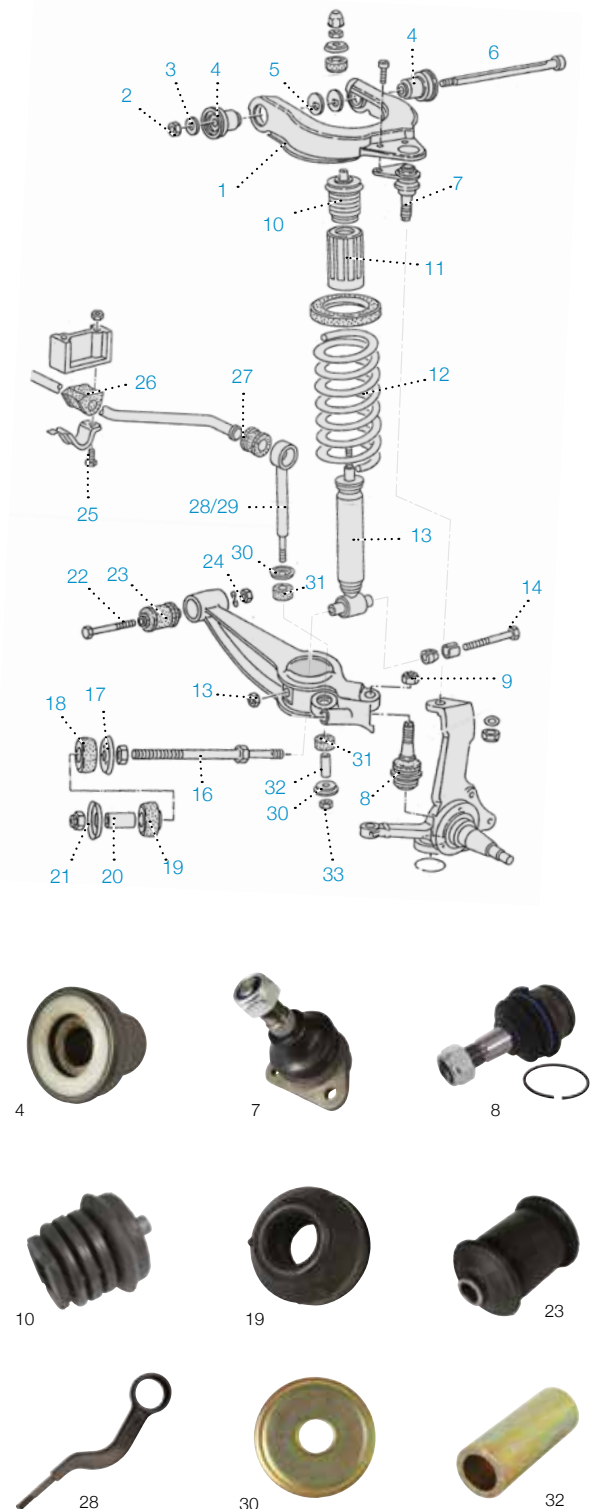
Anti Roll Bar drop link eyelet, 23mm	WC40785-1008-23	pair	£27.00
Anti Roll Bar mount, 19mm	WC40785-1004-19	pair	£27.00
Anti Roll Bar mount, 21mm 80-85	WC40785-1005	each	£28.15
Anti Roll Bar mount, 21mm 86-92	WC40785-1004-21	each	£28.15
Anti Roll Bar mount, 23mm	WC40785-1005-23	each	£28.15
Rear trailing arm	WC40785-1011	set	£16.35

**FOLLOW US ON TWITTER @VWHERITAGE**



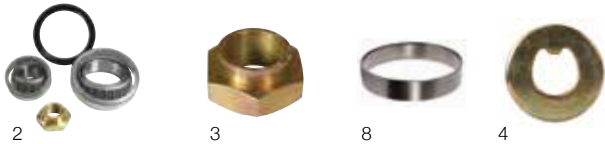
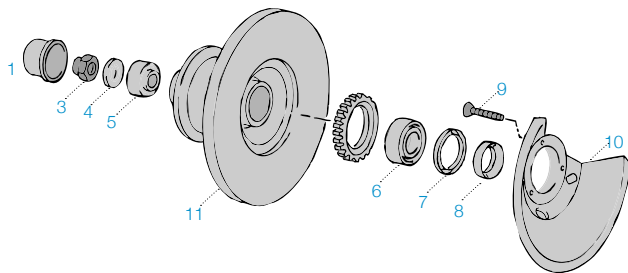
FRONT SUSPENSION

1	<b>Wishbone</b> front upper	251-407-047	each	<b>£41.95</b>
2	<b>Nut</b> self locking	N02-214-14	each	<b>£1.50</b>
3	<b>Washer</b> top wishbone bolt	251-407-089/A	each	<b>£2.95</b>
4	<b>Bush</b> upper wishbone, 5/79>7/91	251-407-077	each	<b>£13.95</b>
5	<b>Eccentric washer</b> top wishbone	251-407-133/A	each	<b>£3.25</b>
6	<b>Bolt</b> for wishbone	251-407-053/A	each	<b>£33.95</b>
<b>Ball joint</b>				
7	upper	251-407-361	each	<b>£17.95</b>
8	lower	251-407-187	each	<b>£18.50</b>
9	<b>Nut</b> for balljoint	211-405-389	each	<b>£2.95</b>
<b>Bumpstop</b>				
10	(A) front, low suspension (82mm length)	251-411-123/B	each	<b>NLA</b>
	(B) front, standard height (104mm length)	251-411-123/E	each	<b>NLA</b>
11	<b>Dust Cover</b>	113-412-305	each	<b>£10.50</b>
<b>Spring</b> front suspension				
12	standard duty	251-411-105/A	each	<b>£45.96</b>
	heavy duty	251-411-105/C	each	<b>£65.96</b>
<b>Shock absorber front - not Syncro</b>				
13	Meyle - top quality repro	251-413-031/R	each	<b>£24.95</b>
	Sachs/Boge - German			
	- Standard Duty	251-413-031/F	each	<b>£61.95</b>
	- Heavy duty	251-413-031/G	each	<b>£62.95</b>
<b>Shock Absorbers - front - Syncro models</b>				
	Sachs/Boge - German	251-413-031/C	each	<b>£102.95</b>
14	<b>Bolt, Bottom of shock absorber</b>	N04-016-11	each	<b>£5.95</b>
	<b>Tapered ring for above</b>	251-413-097	each	<b>NLA</b>
15	<b>Nut</b>	N01-102-12	each	<b>£2.25</b>
16	<b>Radius rod</b> for front wishbone from Chass No. 24-F-019 683	251-407-059/A	each	<b>£79.95</b>
17	<b>Cup washer</b>	251-407-069	each	<b>£4.95</b>
<b>Bush</b> radius rod				
18	inner	251-407-175	each	<b>£6.50</b>
19	outer	251-407-179	each	<b>£7.50</b>
20	<b>Spacer sleeve</b>	251-407-097	each	<b>£3.95</b>
21	<b>Nut</b> self locking	211-405-389	each	<b>£2.95</b>
22	<b>Bolt</b> rear arm bush	N01-016-75	each	<b>£8.25</b>
23	<b>Bush</b> lower wishbone to chassis, 5/79>7/91	251-407-183	each	<b>£5.95</b>
24	<b>Nut</b>	N01-102-07	each	<b>£1.50</b>
25	<b>Bolt</b> M8 x 18	N01-023-911	each	<b>£1.50</b>
<b>Anti roll bar mount</b>				
26	1980-84 / 20mm	251-411-041	each	<b>£4.95</b>
	1980-84 / 22mm	251-411-041/A	each	<b>£10.96</b>
	1986-92 / 19mm	251-411-041/B	each	<b>£12.96</b>
	1984-92 / 20mm	251-411-041/C	each	<b>£7.95</b>
<b>Bush</b> top of cranked link to anti-roll bar				
27	21mm ID / >1985	251-411-045	each	<b>£3.50</b>
	23mm ID / 1985>	251-411-045/A	each	<b>£5.50</b>
	19mm ID / 1986>	251-411-045/B	each	<b>£8.25</b>
<b>Anti Roll Bar Link</b>				
28	cranked, >85 (will fit all years)	251-411-051	each	<b>£46.95</b>
29	straight, 85>	251-411-051/A	each	<b>£24.95</b>
<b>Washer</b> bottom of anti roll bar link				
30	>85	251-411-043	each	<b>£4.50</b>
	85>	171-512-337	each	<b>£4.50</b>
<b>Damping ring</b>				
31	for cranked anti roll bar link >85	251-411-039	each	<b>£3.95</b>
	for straight anti roll bar link 85>	411-513-121	each	<b>£2.50</b>
<b>Anti roll link bar spacer sleeve</b>				
32	all years	251-411-047	each	<b>£4.50</b>
32	<b>Nut</b>	N10-155-207	each	<b>£1.50</b>



For Syncro model parts please call.

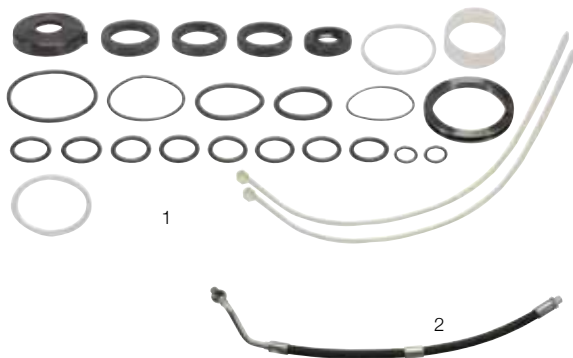
FRONT WHEEL BEARINGS



1	<b>Grease cap</b>	251-407-691/A	each	<b>£13.50</b>
2	<b>Front wheel bearing kit</b>			
	>7/84	251-498-625	each	<b>£24.50</b>
	8/84>	251-498-625/AS	each	<b>£24.95</b>
	Syncro	251-498-645	each	<b>£28.50</b>
3	<b>Hub nut</b>	251-407-671	each	<b>£1.95</b>
4	<b>Pressure washer</b>	111-405-661	each	<b>£2.95</b>
5	<b>Outer bearing</b>			
	>08/83	211-405-645/D	each	<b>£7.50</b>
	09/83>	251-405-645/B	each	<b>£20.95</b>
6	<b>Inner bearing</b>	113-517-185/C	each	<b>£13.95</b>
7	<b>Hub seal</b>	251-407-641/A	each	<b>£2.95</b>
8	<b>Spacer for Inner bearings</b>	251-407-631	each	<b>NLA</b>
9	<b>Bolt</b>	N01-413-95	each	<b>£1.50</b>
10	<b>Backing plate</b>	See page 50/51	each	
11	<b>Brake disc</b>	See page 50/51	each	

For Syncro model parts please call.

POWER STEERING PARTS



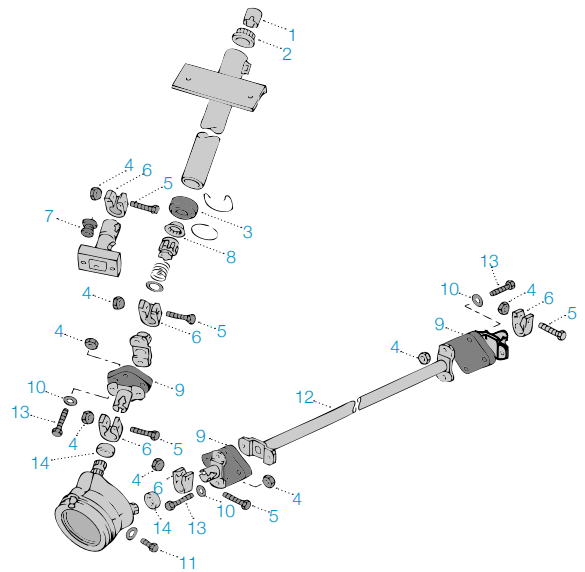
1	<b>Power steering repair kit,</b>			
	T25 1979-92 Inc Syncro	251-498-020	each	<b>£53.50</b>
2	<b>Hose, Power Steering Pump Supply</b>	251-422-893/C	each	<b>£204.70</b>
	<b>Rebuilt power steering rack</b>			
	LHD	251-422-061/X	each	<b>NLA</b>
	RHD	252-419-061/A	each	<b>NCA</b>
	<b>Rebuilt power steering pump</b>	251-422-155/A	each	<b>£107.95</b>

Parts are sold on an exchange basis. A deposit (surcharge) is required until your old unit is returned.

GOT A SYNCRO MODEL?

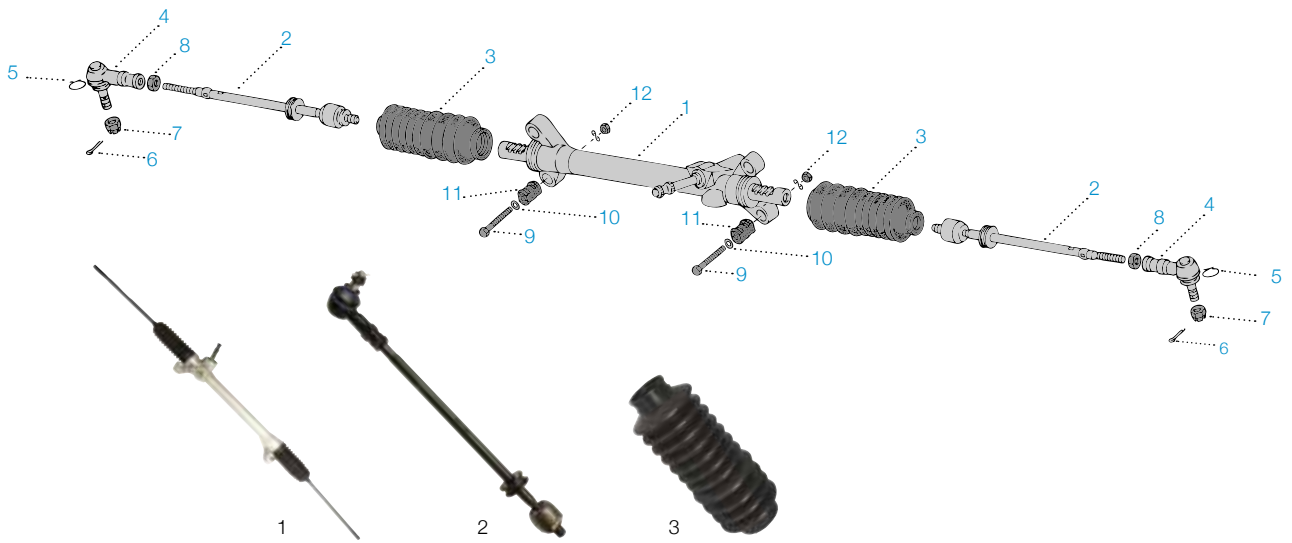
The 4WD Syncro model has a lot of specific steering and suspension components. If you are lucky enough to own one give us a call, and we'll do our best to find the parts you need.

STEERING COLUMN



1	<b>Sleeve</b>	171-419-549	each	<b>£5.95</b>
2	<b>Plastic support ring</b>	171-419-341	each	<b>£3.50</b>
3	<b>Bush for steering column</b>	251-419-579/B	each	<b>£7.50</b>
4	<b>Nut self-locking</b>	N02-214-64	each	<b>£0.95</b>
5	<b>Bolt</b>	N01-035-33	each	<b>£3.25</b>
6	<b>Clamp steering shafts, 5 per vehicle</b>	291-415-539	each	<b>£7.25</b>
7	<b>Bush</b>	803-419-775/B	each	<b>£2.95</b>
8	<b>Bearing steering column</b>	211-415-585/B	each	<b>NLA</b>
9	<b>Coupling (3 reqd)</b>	251-419-417/B	each	<b>£16.95</b>
10	<b>Washer</b>	N01-152-520	each	<b>£1.25</b>
11	<b>Bolt</b>	N01-024-118	each	<b>£1.50</b>
12	<b>Intermediate steering shaft (not PAS)</b>	251-419-753	each	<b>£44.50</b>
13	<b>Bolt</b>	N01-024-421	each	<b>£1.95</b>
14	<b>Seal</b>	020-301-227/C	each	<b>£8.25</b>

STEERING GEAR

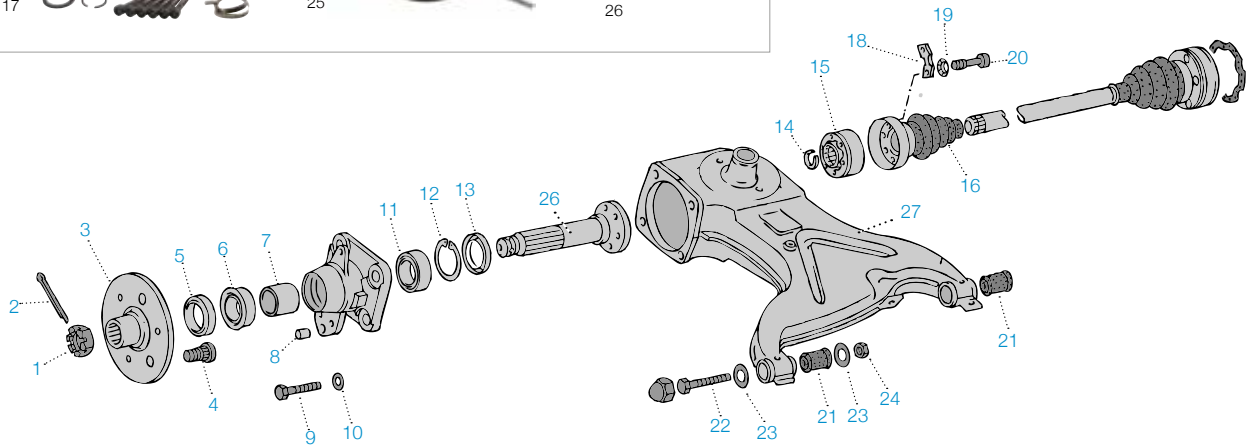


For other PAS related parts please call to check availability

1	<b>Steering rack</b> includes mounts, gaitors & tie rods left hand drive. right hand drive.	[Not PAS] 251-419-061 252-419-061	each each	<b>£107.95</b> <b>£79.95</b>	7	<b>Slotted nut</b>	N01-121-22	each	<b>£5.50</b>
2	<b>Tie rod</b> , complete, adjustable, left or right	251-419-803	each	<b>£30.50</b>	8	<b>Nut</b>	N10-218-704	each	<b>£1.50</b>
3	<b>Gaitor</b> 80>91, 2 required	251-419-831/A	each	<b>£8.25</b>	9	<b>Bolt</b>	N01-036-112	each	<b>£3.25</b>
4	<b>Track rod end</b> left or right	251-419-811	each	<b>£11.50</b>	10	<b>Washer</b>	N90-075-301	each	<b>£4.50</b>
5	<b>Dust cap ring</b> large ball - tie	111-415-837	each	<b>£1.50</b>	11	<b>Rubber mount</b> 4 required	251-419-081	each	<b>£4.95</b>
6	<b>Split pin</b>	N01-253-31	each	<b>NLA</b>	12	<b>Nut</b>	N02-214-64	each	<b>£0.95</b>
						<b>Steering rack grease</b> 250g	AOF-063-000/04	each	<b>£13.95</b>
						<b>Boot for Tie Rod End</b>	113-415-835	each	<b>£4.50</b>



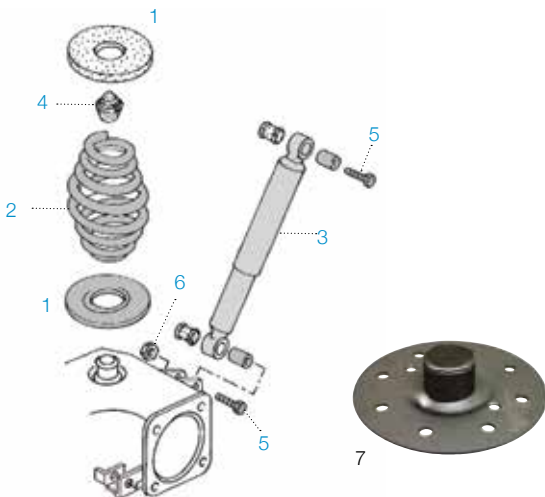
REAR AXLE



1	<b>Slotted nut</b>	211-501-221/A	each	<b>£5.50</b>
2	<b>Split pin</b>	N01-254-82	each	<b>£1.95</b>
3	<b>Wheel hub rear</b>	211-501-619	each	<b>£157.95</b>
4	<b>Wheel mounting stud</b>	211-501-627/A	each	<b>£4.50</b>
5	<b>Hub seal</b>	211-501-317	each	<b>£3.25</b>
6	<b>Bearing rear outer</b>	211-501-283/D	each	<b>£17.95</b>
7	<b>Spacer sleeve</b>	211-501-281/E	each	<b>£15.50</b>
8	<b>Dowel pin</b>	N01-322-02	each	<b>£3.95</b>
9	<b>Bolt</b>	N01-012-13	each	<b>£5.50</b>
10	<b>Washer</b>	N01-153-43	each	<b>£2.80</b>
11	<b>Bearing rear inner</b>	211-501-287	each	<b>£10.95</b>
12	<b>Circlip</b>	N01-229-51	each	<b>£7.25</b>
13	<b>Hub seal</b>	211-501-317	each	<b>£3.25</b>
14	<b>Circlip</b>	113-517-279	each	<b>£2.50</b>
15	<b>C.V. joint (only)</b>	211-501-331/B/J	each	<b>£17.50</b>

16	<b>C.V. boot</b>	211-598-201	each	<b>£33.50</b>
	genuine with grease / no bolts	211-598-201/R	each	<b>£13.95</b>
17	<b>C.V. joint &amp; boot kit (21 &amp; 23)</b>	211-501-331/B	each	<b>£52.50</b>
18	<b>Spreader plate</b>	211-501-357	each	<b>£1.50</b>
19	<b>Washer</b>	N01-537-11	each	<b>£1.50</b>
20	<b>Bolt C.V. joint</b>	893-407-237	each	<b>£1.25</b>
21	<b>Bush rear suspension</b>	251-501-131/A	each	<b>£10.95</b>
22	<b>Bolt</b>	N01-016-75	each	<b>£8.25</b>
23	<b>Washer</b>	481-501-543	each	<b>£1.50</b>
24	<b>Nut</b>	N10-105-507	each	<b>£2.95</b>
25	<b>Rear wheel bearing kit (2, 5, 6, 11)</b>	251-598-287	kit	<b>£37.95</b>
26	<b>Stub Axle</b>	211-501-265/C	each	<b>£145.95</b>
27	<b>Trailing arm</b>	251-501-401/E	each	<b>£244.95</b>
	right	251-501-402/E	each	<b>£244.95</b>

REAR SUSPENSION



1	<b>Spring seat</b>	7D0-511-147/A	each	<b>£10.95</b>
	upper	251-511-139	each	<b>NLA</b>
	lower			
2	<b>Spring rear suspension, Sachs brand</b>	251-511-105/A	each	<b>£77.095</b>
3	<b>Shock absorber - rear - not Syncro</b>	251-513-031/R	each	<b>£38.95</b>
	Meyle - top quality repro			
	Sachs - German	251-513-031/AG	each	<b>£70.96</b>
	- standard duty	251-513-031/AH	each	<b>£69.50</b>
	- heavy duty			
	<b>Shock absorber - rear - Syncro models</b>	251-513-031/D	each	<b>£80.95</b>
	Sachs German			
4	<b>Rear bump stop</b>	251-501-191/A	each	<b>£4.50</b>
5	<b>Shock bolt</b>	N01-016-52	each	<b>£4.50</b>
6	<b>Nut for above</b>	N01-102-07	each	<b>£1.50</b>
7	<b>Spring Seat</b> repair section for rear arm T25 80-91	251-501-400	each	<b>£31.50</b>



# PERFORMANCE SUSPENSION PARTS

## KYB SHOCKS

UPGRADES  
& CUSTOM PARTS



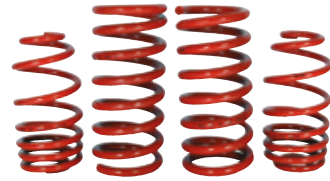
Heavy duty gas pressurised shock absorbers ideal for heavier vehicles like a Type 25. GR2 & Gas-A-Just are the models names, GR2 being the slightly softer version for the front.

1	<b>K.Y.B GR2</b> gas front	AC41345006	each	<b>£368.50</b>
2	<b>KYB Gas-A-Just</b> heavy duty gas, rear (non adjustable)	AC513KG5557	each	<b>£49.95</b>

## SSP SPRINGS

UPGRADES  
& CUSTOM PARTS

KIT



### SSP Lowering Spring Kit

Manufactured by a German OE. supplier especially for SSP these springs are of the highest quality. The rear springs have the correct pigtail at both ends and are hand made using tapered wire. TUV Approved.

<b>SSP Lowering Spring Kit 45-50mm</b>	WC498005	kit	<b>£231.95</b>
--	----------	-----	----------------

## SSP SUSPENSION KIT

UPGRADES  
& CUSTOM PARTS

KIT



### lowering Suspension kit - 45mm springs & Damper SSP lowering

Suspension kit. A set of our top quality 45mm lowering springs combined with a set of KYB high performance gas shocks.

<b>Gas shocks</b>	WC498012	kit	<b>£396.95</b>
-------------------	----------	-----	----------------

## COVER YOUR CLASSIC & YOUR DAILY DRIVER

Multi Car polices will save you money.  
Limited mileage, agreed valuation,  
modifications not a problem.

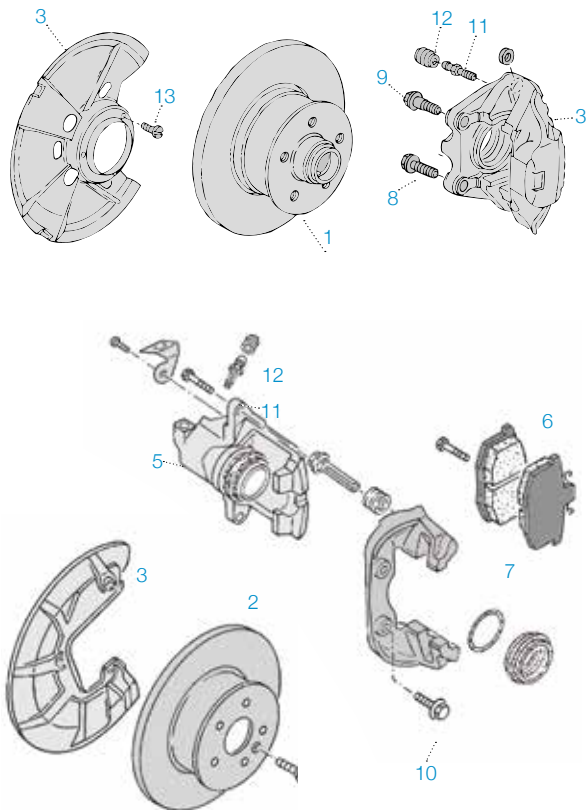
Visit: [www.vwheritage-insurance.com](http://www.vwheritage-insurance.com)



# WHEELS & BRAKES

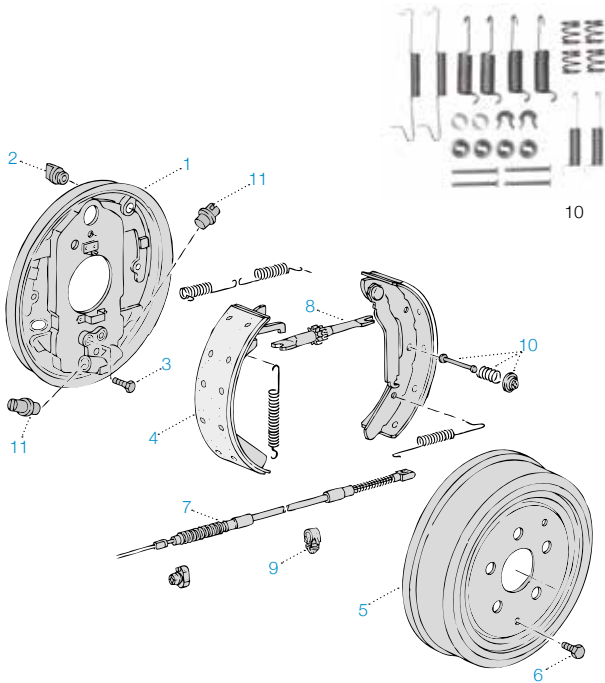


## FRONT BRAKES



<b>Brake disc</b>			
1	1980-86 - 278 x 13	251-407-617/A	each <b>£38.95</b>
2	1986-92 - 258 x 16 Syncro 14"	251-407-617/K 251-407-615/Q	each <b>£45.95</b> each <b>£49.95</b>
<b>Disc backing plate</b>			
3	left and right 81 - 6/86	251-407-343/C	each <b>£30.50</b>
	left 07/86 on	251-407-339/A	each <b>£29.50</b>
	right 07/86 on	251-407-340/A	each <b>£29.50</b>
<b>Caliper</b>			
4	>6/86 new, (use with brake pipe below)		
	left	211-615-107	each <b>£106.95</b>
	right	211-615-108	each <b>£104.95</b>
5	7/86> reconditioned / exchange		
	left	251-615-123/D	each <b>£107.95</b>
	right	251-615-124/D	each <b>£107.95</b>
	<b>Modified brake pipe for &gt;6/86 caliper above</b>	251-611-999	each <b>£8.25</b>
<b>Brake pad set</b>			
6	>6/86	251-698-151/AD	kit <b>£18.95</b>
7	7/86>	251-698-151/F	kit <b>£29.95</b>
<b>Brake pad fitting kit (shims &amp; pins)</b>			
	>6/86 ATE/Varga calipers	211-698-151/ADkit	kit <b>£8.50</b>
	7/86> Lucas/Girling calipers	251-698-151/kit	kit <b>£8.25</b>
<b>Caliper mounting bolts &gt;6/86</b>			
8	lower	211-615-143/A	each <b>£5.25</b>
9	upper	211-615-141/A	each <b>£7.25</b>
10	<b>Caliper mouting bolts 7/86&gt;</b>	N90-499-301	each <b>£5.95</b>
	<b>Caliper repair kit &gt;6/85</b>	251-698-471	each <b>£5.95</b>
11	<b>Bleed nipple</b>	113-615-273/A	each <b>£3.50</b>
12	<b>Bleed nipple cover</b>	211-611-483	each <b>£1.25</b>
13	<b>Bolt for back plate</b>	N01-413-95	each <b>£1.50</b>

REAR BRAKE SYSTEM



Please call to check availability of Syncro brake parts.

1	<b>Rear backing plate</b> left right	251-609-425/D 251-609-426/D	each each	<b>£20.50</b> <b>£20.50</b>
2	<b>Rubber bung</b>	113-609-163	each	<b>£1.25</b>
3	<b>Bolt</b>	N01-025-37	each	<b>£1.95</b>
4	<b>Brake shoe set</b> not Syncro with 16" wheels	251-698-531/L	each	<b>£32.95</b>
5	<b>Brake drum,</b> not Syncro with 16" wheels - standard German spec - heavy duty South African spec	251-609-615 22S-609-615	each each	<b>£39.95</b> <b>£82.95</b>
6	<b>Bolt</b>	N01-022-76	each	<b>£0.95</b>
7	<b>Handbrake cable</b> rear/to wheel (not Syncro)	251-609-701/C	each	<b>£10.95</b>
8	<b>Adjusting bar</b> left right	281-609-801/B 281-609-802/B	each each	<b>£19.95</b> <b>£19.95</b>
9	<b>Clip</b>	251-501-595/A	each	<b>NLA</b>
10	<b>Brake shoe fitting kit</b>	251-698-545	each	<b>£13.95</b>
11	<b>Shoe mount</b>	251-609-209	each	<b>£9.95</b>
	<b>Hand brake lever pin</b>	211-609-601/B	each	<b>£1.50</b>
	<b>Horse shoe clip</b>	211-609-619	each	<b>£1.25</b>
	<b>Castle nut</b>	211-501-221/A	each	<b>£5.50</b>
12	<b>Rear wheel cylinders</b> Meyle - top quality ATE or FTE German	211-611-047/F 211-611-047/F/ATE	each each	<b>£10.50</b> <b>£19.95</b>
	<b>Bleed nipple</b>	211-611-477/A	each	<b>£2.25</b>
	<b>Rubber cap</b>	211-611-483	set	<b>£1.25</b>

BRAKE HOSE KIT

UPGRADES & CUSTOM PARTS **KIT**



**Stainless Steel Brake Hose Kit**

Stainless steel brake hose for Type 25. Kits feature the finest quality hose, consisting of a PTFE inner with a stainless overbraid covered in a CLEAR outer coating .

<b>Hose kit</b> 80-85	251-698-002	kit	<b>£75.00</b>
<b>Hose kit</b> 86-92	251-698-003	kit	<b>£75.00</b>
<b>Hose kit</b> Syncro	251-698-004	kit	<b>£75.00</b>

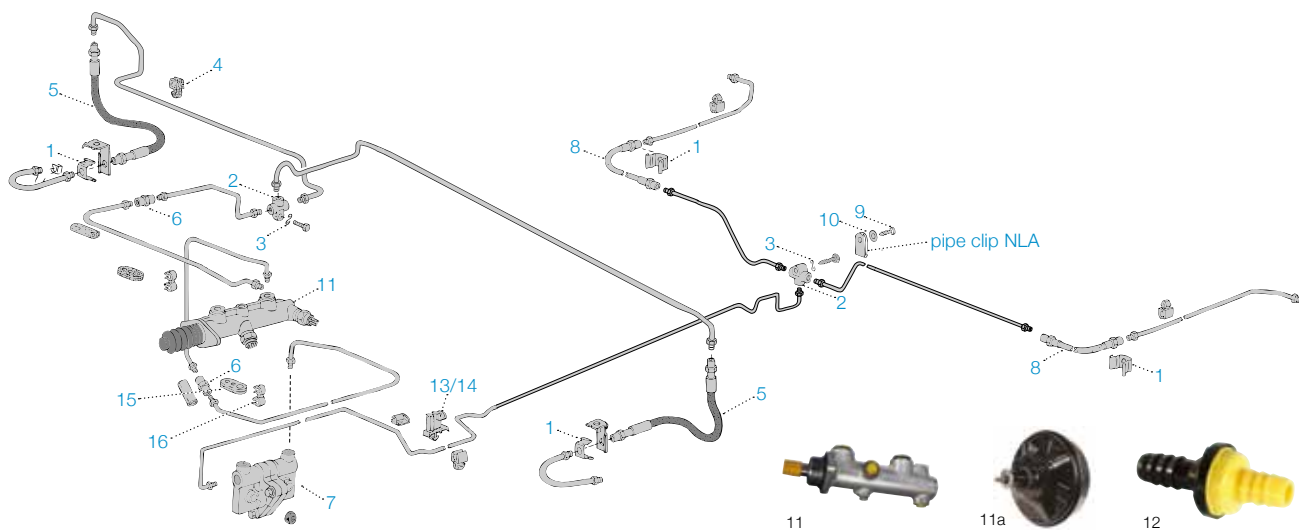
**FIT BRAIDED BRAKE HOSES FOR IMPROVED PEDAL FEEL AND RESPONSE**

They don't flex under pressure like rubber brake hoses



BRAKE HYDRAULICS

This diagram is a simplified version showing the non-servo master cylinder. Other models are very similar.



	<b>Brake pipe kit, copper/nickel, Supplied in correct lengths, bend to fit</b>		
	1980-83	251-698-500	each £79.95
	1984-85	251-698-501	each £81.95
	1986-92	251-698-502	each £71.95
1	<b>Hose clip</b>	803-611-715	each £3.25
2	<b>3 point brake line connector</b>	803-611-755	each £8.50
3	<b>Washer</b>	N01-222-53	each £0.85
4	<b>Clip</b>	281-611-767	each £2.95
5	<b>Front brake hose</b>		
	80>6/86	251-611-775/A	each £12.95
	8/86-7/92	251-611-775/B	each £12.95
6	<b>Brake pipe joiner</b>	411-611-789	each £12.95
7	<b>Brake pressure regulator</b>		
	>1982 (>24-C-200 000)	211-612-501/A	each NLA
	1983> (24-D-000 001>)	251-612-501	each £244.95
8	<b>Rear brake hose</b>		
	80>91 180mm	433-611-775/A	each £16.50
	80>91 160mm, with anti lock brakes	433-611-775/B	each £10.95
9	<b>Screw for pipe clip</b>	N01-396-94	each £1.50

10	<b>Washer for pipe clip</b>	N01-152-318	each £0.95
11	<b>Master cylinder</b>		
	without servo	251-611-021/C	each £66.95
	for use with servo & warning light		
	- reproduction	251-611-021/C	each £66.95
	- ATE or FTE German	251-611-021/C/FAG	each £187.95
11a	<b>Brake servo</b>	281-612-105	each £302.95
	<b>Nut, servo to body</b>	N01-100-88	each £0.50
	<b>Seal brake fluid reservoir to cylinder</b>	357-611-817	each £3.95
12	<b>Servo non return valve</b>	191-611-933	each £17.50
	<b>Brake pipe clip</b>	291-611-767	each £1.50
13	<b>Brake pipe clip</b>	281-611-767	each £2.95
14	<b>Brake pipe clip</b>	251-611-767/B	each NLA
15	<b>Grommet</b>	251-611-751	each £1.50
16	<b>Pipe clip</b>	321-611-853	each £1.25
	<b>Brake reservoir cap</b>		
	without warning lights	191-611-349/A	each £13.95
	with warning light switch	357-611-349	each £10.50

WHEEL ACCESSORIES



1	<b>Chrome plated steel wheel nut</b>		
	M14x1.5 threadR14	AC601SN17BR	each £1.50
2	<b>Stud</b>		
	M12/14x1.5 38mm	AC601SS49	each £1.50
3	<b>Stud</b>		
	14x1.5 60mm	AC601SS43	each £4.50
4	<b>Whitewall tyre trims, for 14" wheels</b>	AC698002	set £57.50
5	<b>Hub cap - domed - no logo baby moon</b>		
	sunny climate chrome	AC601761	each £15.50
	chromed stainless steel	AC601761SS	each £21.95



SSP WHEELS T25 1980-92 (NOT SYNCRO)



1 2 5 4 3

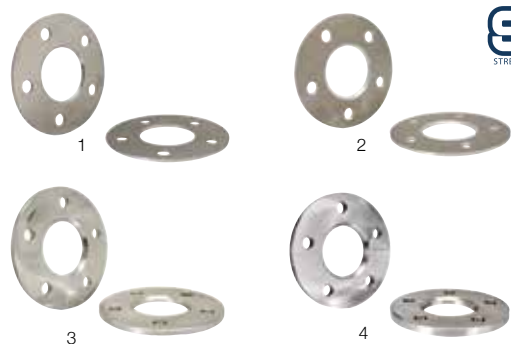
1	<b>SSP BRM</b>	gloss black polished	5/112	5.5"x15"	ET12	AC601003BP	each	<b>£98.95</b>
2	<b>SSP 5 spoke GT</b>	black/polished	5/112	5.5"x15"	ET20	AC601010B	each	<b>£85.50</b>
	<b>SSP 5 spoke GT</b>	silver/polished	5/112	5.5"x15"	ET20	AC601010S	each	<b>£85.50</b>
	<b>SSP 5 spoke GT</b>	white/polished	5/112	5.5"x15"	ET20	AC601010W	each	<b>£85.50</b>
	<b>SSP 5 spoke GT</b>	chrome	5/112	5.5"x15"	ET20	AC601010C	each	<b>£123.95</b>
	<b>SSP 5 spoke GT</b>	polished	5/112	5.5"x15"	ET20	AC601010P	each	<b>£101.95</b>
4	<b>SSP Fooks</b>	black/polished	5/112	5.5"x15"	ET20	AC601006BP	each	<b>£93.95</b>
	<b>SSP Fooks</b>	chrome	5/112	5.5"x15"	ET20	AC601006C	each	<b>£147.95</b>
	<b>SSP Fooks</b>	polished	5/112	5.5"x15"	ET20	AC601006P	each	<b>£123.95</b>
	<b>SSP Fooks 17"</b>	black/polished	5/112	7"x17"	ET40	AC601023BP	each	<b>£172.95</b>
	<b>SSP Fooks 17"</b>	chrome	5/112	7"x17"	ET40	AC601023C	each	<b>£239.95</b>
	<b>SSP Fooks 17"</b>	polished	5/112	7"x17"	ET40	AC601023P	each	<b>£236.95</b>
	<b>SSP Gas Burner</b>	black/polished	5/112	5.5"x15"	ET20	AC601029BP	each	<b>£134.95</b>
3	<b>SSP Cosmic</b>	black/polished	5/112	5.5"x15"	ET20	AC601026BP	each	<b>£134.95</b>

STEEL WHEELS & ACCESSORIES



<b>Standard wheels</b> genuine VW 5.5"x14"			
	- silver	211-601-027/HG	each <b>£131.95</b>
	- black	211-601-027/H/B	each <b>£111.95</b>
1	6"x15 ET30	251-601-025/MF	each <b>£99.50</b>
2	6"x16 ET30 (Syncro wheel)	251-601-027/MF	each <b>£113.95</b>
3	<b>Hub cap Genuine</b>		
	silver	251601151G	each <b>£19.95</b>
	chrome	251601151AG	each <b>£65.95</b>
<b>Trim rings</b> - stainless steel			
	14"	211-698-500	set <b>£65.95</b>
	15"	113-698-500	set <b>£66.95</b>
5	<b>Wheel bolts</b> for front wheels		
	original finish	251-601-139	each <b>£1.50</b>
	silver finish	251-601-139/S	each <b>£1.95</b>
	<b>Wheel nut</b> for rear wheels	N02-011-21	each <b>£1.50</b>
6	<b>Locking wheel nut kit</b> (includes conversion studs)	AC601LBT25	kit <b>£37.95</b>

WHEEL SPACERS



1	<b>Wheel spacers</b> , SSP 5x112 3mm, flat	AC601SP20	pair	<b>£28.95</b>
2	<b>Wheel spacers</b> , SSP 5x112 5mm, flat	AC601SP21	pair	<b>£34.95</b>
3	<b>Wheel spacers</b> , SSP 5x112 8mm, flat	AC601SP22	pair	<b>£34.95</b>
4	<b>Wheel spacers</b> , SSP 5x112 10mm, flat	AC601SP23	pair	<b>£45.95</b>

CHANGING YOUR WHEELS?

Make sure you fit the correct wheel nuts or bolts or your wheel could come loose and fall off!

# CABLES & CONTROLS

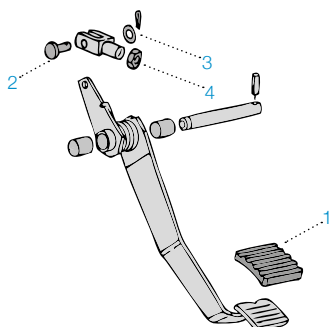


## GEARBOX SELECTOR



1	<b>Gearshift selector Kit</b>	251-798-116/A	each	<b>£39.95</b>
---	-------------------------------	---------------	------	---------------

## BRAKE PEDAL



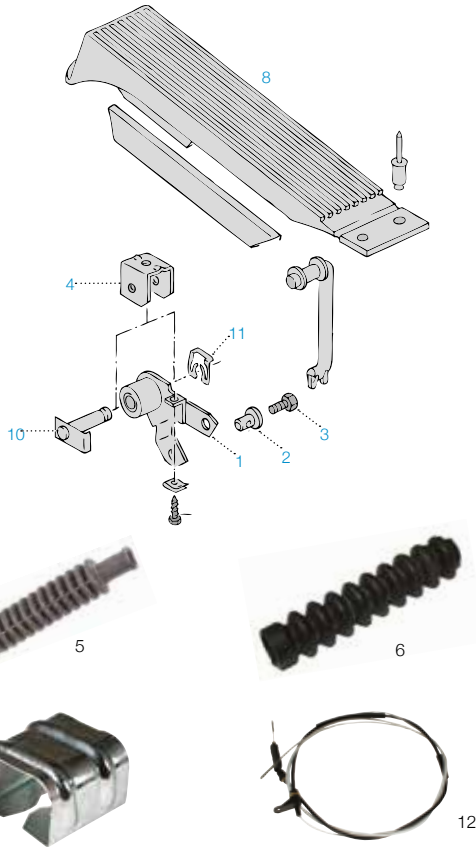
1	<b>Pedal rubber</b> brake/clutch	311-721-173/A	each	<b>£3.25</b>
2	<b>Pin</b>	N01-323-91	each	<b>£4.95</b>
3	<b>Washer</b>	N01-155-811	each	<b>£0.85</b>
4	<b>Nut</b>	N01-115-31	each	<b>£4.50</b>

## HAVE YOU VISITED OUR BLOG?

VW related stories published most days. Shows, technical articles, vehicles spotted for sale - **Check it out!**



ACCELERATOR PEDAL & CABLES

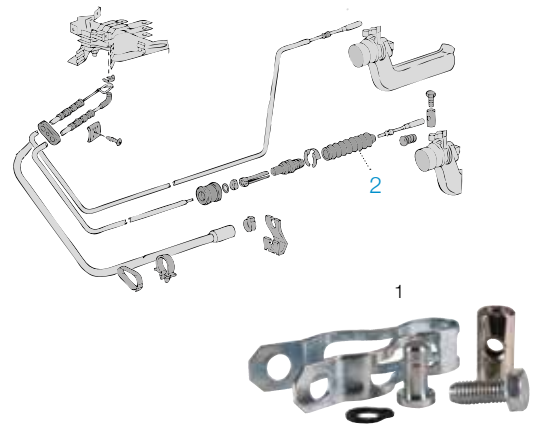


GEAR SHIFTER TROUBLE?

Struggling to change gear? Treat your Type 25 to new gear shift bushings, it will make the world of difference!

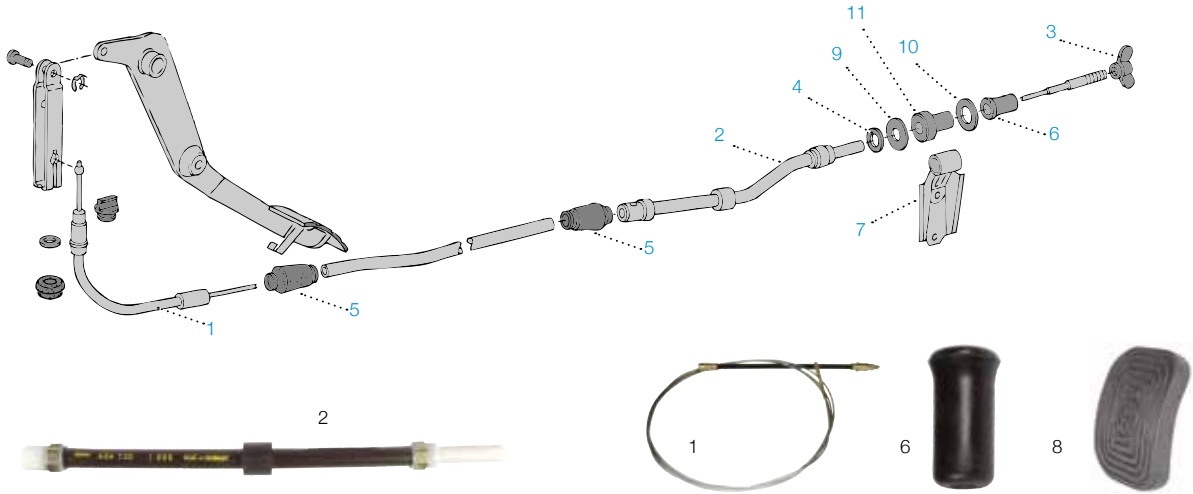
HEATER CABLE

1	<b>Accelerator pedal lever</b> all models exc.CU	251-721-507/A	each	<b>£28.95</b>		
2	<b>Retainer</b>	251-721-577	each	<b>£4.95</b>		
3	<b>Bolt</b>	N01-020-56	each	<b>£0.95</b>		
4	<b>Mounting</b>	251-721-525	each	<b>£2.95</b>		
<b>Boot for accelerator cable</b>						
5	pedal end, RHD	211-721-579/B	each	<b>£12.95</b>		
6	engine end Waterboxer	251-723-580	each	<b>£15.95</b>		
7	<b>Clip for accelerator cable on diesel engines.</b>	171-721-570/A	each	<b>£2.95</b>		
8	<b>Accelerator pedal</b> all manual models	251-721-511/D	each	<b>£21.50</b>		
<b>Push rod for accelerator pedal</b>						
	manual gearbox	251-721-609/C	each	<b>£37.95</b>		
	automatic models	251-721-609/D	each	<b>NLA</b>		
10	<b>Accelerator pedal pin</b>	251-721-639	each	<b>£3.95</b>		
11	<b>Lock washer</b>	N90-095-603	each	<b>£1.50</b>		
<b>12 Accelerator Cable - RHD - Manual</b>						
	1600cc CT	5/79-12/82	3645mm	252-721-555	each	<b>£10.95</b>
	2000cc CU	8/79-7/83	3870mm	252-721-555/B	each	<b>£7.50</b>
	1900cc DF	84-92	3700mm	252-721-555/R	each	<b>£21.96</b>
	1900cc DG	8/82-7/92	3810mm	252-721-555/QS	each	<b>£19.50</b>
	2100cc DJ	8/82-7/92	3700mm	252-721-555/R	each	<b>£21.95</b>
	diesel / turbo diesel	1/81-7/82	4022mm	252-721-555/C	each	<b>£31.95</b>
	diesel / turbo diesel	8/82>	4057mm	252-721-555/T	each	<b>£17.50</b>
<b>Accelerator cable - LHD - manual</b>						
	1600cc CT	5/79-12/82	3565mm	251-721-555	each	<b>£10.95</b>
	2000cc CV (injection)	5/79-12/82	3565mm	251-721-555	each	<b>£10.95</b>
	2000cc CU (carb)	5/79-12/82	3805mm	251-721-555/B	each	<b>£11.95</b>
	1900cc DF	8/82-7/92	3610mm	251-721-555/Q	each	<b>£13.95</b>
	1900cc DG	8/82-7/92	3724mm	251-721-555/R	each	<b>£13.95</b>
	2100cc DJ	8/82-7/92	3610mm	251-721-555/Q	each	<b>£13.95</b>
	diesel / turbo diesel	1/81-7/82	3945mm	251-721-555/C	each	<b>£32.95</b>
	diesel / turbo diesel	8/82>	3980mm	251-721-555/S	each	<b>£19.50</b>
<b>Accelerator cable - automatic</b>						
	RHD	80-92	3700mm	252-723-555/F	each	<b>£31.50</b>
	LHD	1983>	3005mm	251-723-555/E	each	<b>£38.50</b>



1	<b>Heater cable clamp kit</b>	111-298-101/A	each	<b>£3.25</b>
2	<b>Bellows</b>	211-711-633	each	<b>£4.50</b>
<b>Heater cable</b>				
	1.6 80>83 CT/CZ - RHD - left	252-711-629/A	each	<b>NCA</b>
	1.6 80>83 CT/CZ - RHD - right	252-711-630/A	each	<b>NCA</b>
	1.6 80>83 CT/CZ - LHD - left	251-711-629/A	each	<b>£30.50</b>
	1.6 80>83 CT/CZ - LHD - right	251-711-630/A	each	<b>£35.95</b>
	2.0 80>83 CU/CV - RHD - left	252-711-629	each	<b>£28.95</b>
	2.0 80>83 CU/CV - RHD - right	252-711-630	each	<b>£28.95</b>
	2.0 80>83 CU/CV - LHD - left	251-711-629	each	<b>NCA</b>
	2.0 80>83 CU/CV - LHD - right	251-711-630	each	<b>£28.95</b>

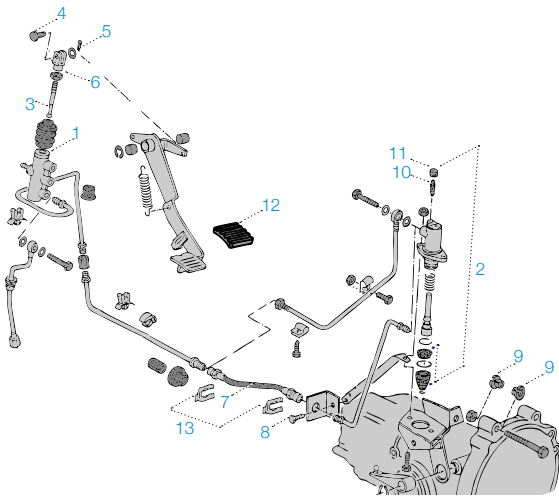
CLUTCH CABLE & PEDAL >12/82 PETROL



1	<b>Cable, clutch</b> with conduit			
	RHD 8/79-8/82	252-721-335	each	£18.95
	LHD 5/79-8/82	251-721-335	each	£12.50
2	<b>Conduit for clutch cable</b> rear (by gearbox)	251-721-361/B	each	£6.95
3	<b>Wing nut</b>	131-721-349	each	£2.25
4	<b>Washer</b>	043-101-129	each	£1.95
5	<b>Sleeve</b>	311-721-363	each	£2.95

6	<b>Rubber boot</b>	211-721-365/A	each	£4.50
7	<b>Cable bracket</b>	002-301-161/A	each	£17.95
8	<b>Clutch pedal rubber</b>	311-721-173/A	each	£3.25
9	<b>Washer</b>	N90-117-701	each	£1.25
10	<b>Washer</b>	N90-117-801	each	£1.25
11	<b>Guide buffer</b>	251-721-376	each	NLA
	<b>Pedal Buffer</b>	867-827-500/A	each	£4.95

HYDRAULIC CLUTCH PARTS



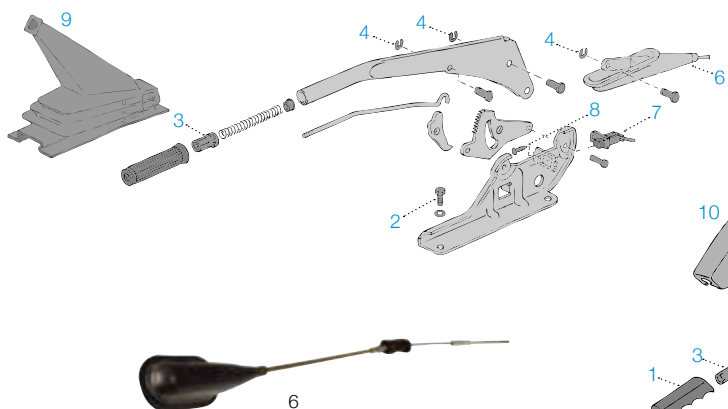
1	<b>Clutch master cylinder</b>			
	reproduction	251-721-401/A	each	£42.95
	German (F.A.G.)	251-721-401/A/FAG	each	£78.95
2	<b>Clutch slave cylinder</b>			
	reproduction	251-721-263/A	each	£21.95
	German (F.A.G.)	251-721-263/A/FAG	each	£67.95
	<b>Repair kit</b> clutch slave cylinder	251-798-041	each	£10.95
3	<b>Push rod</b>	211-721-205/G	each	£30.50
4	<b>Pin</b>	N01-323-91	each	£4.96
5	<b>Washer</b>	N01-155-811	each	£0.85

6	<b>Nut</b>	N01-115-31	each	£4.50
	<b>Circlip</b>	N01-242-01	each	£1.25
7	<b>Hose</b> Clutch gearbox end	251-721-477/D	each	£10.50
8	<b>Bolt</b>	N01-023-820	each	£3.25
9	<b>Clamp</b>	211-599-435/A	each	£2.25
10	<b>Bleed nipple</b>	211-611-477/A	each	£1.25
11	<b>Dust cap</b> for bleed nipple	211-611-483	each	£1.25
12	<b>Pedal rubber</b>	311-721-173/A	each	£3.25
13	<b>Clip</b> for hose >1985	251-721-488	each	£0.85

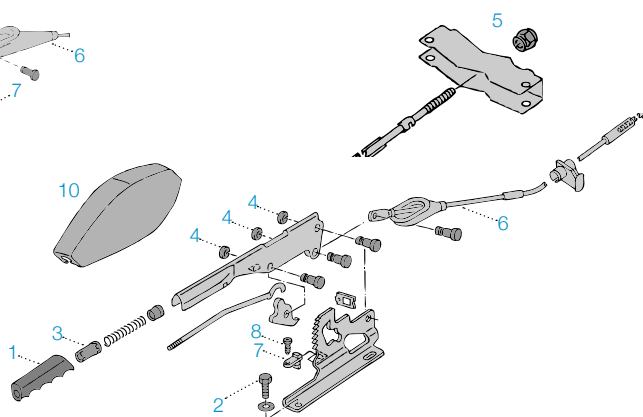


HANDBRAKE

>1984 HANDBRAKE



1985> HANDBRAKE

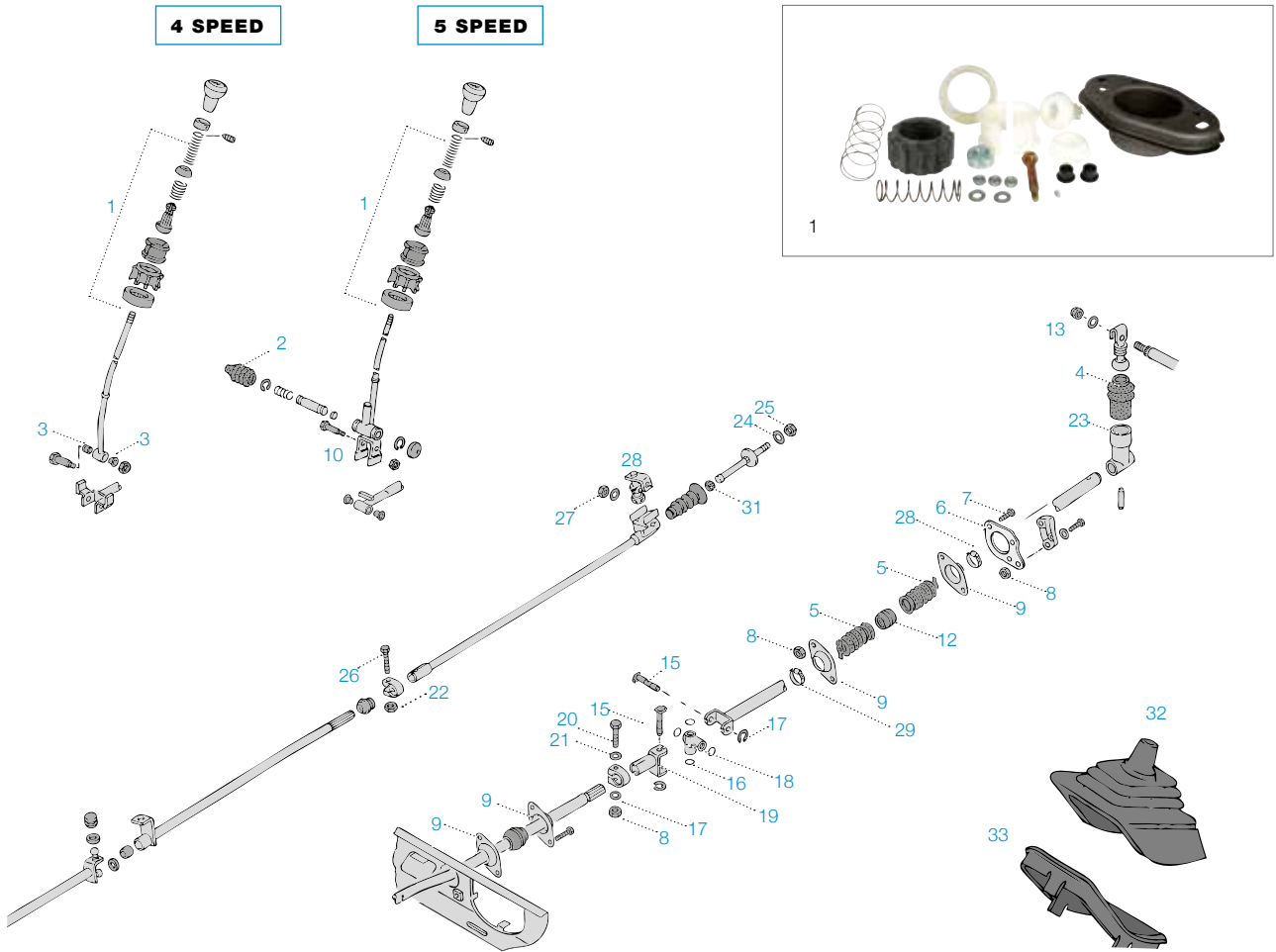


1	<b>Handle</b> 85>	251-711-327/90V	each	<b>NLA</b>
2	<b>Bolt</b>	N01-024-222	each	<b>£1.25</b>
3	<b>Press button</b>	113-711-333/B/01C	each	<b>£1.50</b>
4	<b>Circlip</b>	N01-243-73	each	<b>£1.50</b>
5	<b>Adjusting nut</b>	111-711-349	each	<b>NLA</b>
6	<b>Hand brake cable</b> hand brake to front bar 80-92	251-711-471/D	each	<b>£32.95</b>

	<b>Handbrake cable</b> , front bar to wheels, 2 required 80> (not Syncro)	251-609-701/C	each	<b>£10.95</b>
7	<b>Switch</b>	113-947-561/H	each	<b>£2.95</b>
8	<b>Screw</b>	N01-395-75	each	<b>£1.25</b>
9	<b>Boot rubber</b> >85 black	251-711-461	each	<b>NLA</b>
10	<b>Boot plastic</b> 86> black	251-711-461/B	each	<b>£9.50</b>



GEAR SELECTOR LINKAGE



1	<b>Gearshift selector kit</b>	251-798-116/A	each	<b>£39.95</b>
2	<b>Shifter bellows</b> (5 speed only)	251-711-248/A	each	<b>£16.95</b>
3	<b>Bush</b>	171-711-166	each	<b>£2.95</b>
4	<b>Bellows</b> gear shift linkage, 8/82>	251-711-167/E	each	<b>£5.25</b>
5	<b>Bellows</b> shift rod, 2 required 08/86>	251-711-167/F	each	<b>£8.50</b>
6	<b>Plate</b> gear shaft petrol diesel	251-711-187/B 251-711-187/C	each each	<b>£11.50</b> <b>NLA</b>
7	<b>Bolt</b>	N01-029-35	each	<b>£3.25</b>
8	<b>Nut</b>	N01-100-88	each	<b>0.50</b>
9	<b>Flange</b> for gear linkage (4 per vehicle)	251-711-198/D	each	<b>NLA</b>
10	<b>Bolt</b>	N01-023-911	each	<b>£1.50</b>
11	<b>Bush</b> gear linkage, front	251-711-207/D	each	<b>£5.95</b>
12	<b>Bush</b> gear linkage, rear >08/86 08/86>	251-711-207/D 251-711-207/E	each each	<b>£5.95</b> <b>£4.50</b>
13	<b>Joint</b> gear shaft	251-711-221/F	each	<b>£10.50</b>
14	<b>Nut</b>	N02-214-64	each	<b>£0.95</b>
15	<b>Pin</b> gear selector	251-711-291	each	<b>NLA</b>
16	<b>Seal</b> for gear linkage universal joint (4 required)	N90-089-901	each	<b>£1.50</b>
17	<b>Circlip</b>	N01-243-62	each	<b>£1.25</b>
18	<b>Universal joint</b> for gear selector	251-711-551	each	<b>£4.25</b>
19	<b>Selector shaft</b> (end piece)	251-711-575/B	each	<b>NLA</b>

20	<b>Bolt</b>	N01-034-04	each	<b>£3.95</b>
21	<b>Washer</b>	N01-152-520	each	<b>£1.25</b>
22	<b>Nut</b>	N01-100-624	each	<b>£0.40</b>
23	<b>Lever</b> gear selector petrol diesel	251-711-973 251-711-973/A	each each	<b>£28.50</b> <b>£23.95</b>
24	<b>Washer</b>	N01-153-17	each	<b>£1.50</b>
25	<b>Nut</b>	N10-105-507	each	<b>£2.95</b>
26	<b>Bolt</b>	N01-034-04	each	<b>£3.95</b>
27	<b>Nut</b>	N02-214-64	each	<b>£0.95</b>
28	<b>Bracket</b> shift rod	251-711-219	each	<b>NLA</b>
29	<b>Pipe clip</b>	N01-640-21	each	<b>£1.50</b>
30	<b>Boot</b> for shift rod	251-711-167/A	each	<b>£6.50</b>
31	<b>Guide ring</b>	251-711-227	each	<b>£1.50</b>
32	<b>Gear shifter boot</b> 4 speed 5 speed models with plastic frame 7/82 - 7/85	251-711-115/A 251-711-115/D 253-711-115	each each each	<b>NCA</b> <b>NLA</b> <b>NLA</b>
33	<b>Plastic frame for boot</b>	253-711-120	each	<b>£5.50</b>
34	<b>CSP quick shift kits</b> These will reduce the throw of your gearstick when changing gear. 12mm gearstick 14mm gearstick	AC711012 AC711014	each each	<b>£53.95</b> <b>£30.95</b>
35	<b>Housing</b> , gear shift mechanism, 4 speed	251-711-107/D	each	<b>£40.95</b>

# BUY DIRECT ON OUR WEBSITE

[WWW.VWHERITAGE.COM](http://WWW.VWHERITAGE.COM)



19,000 PARTS



CUSTOMER SERVICE



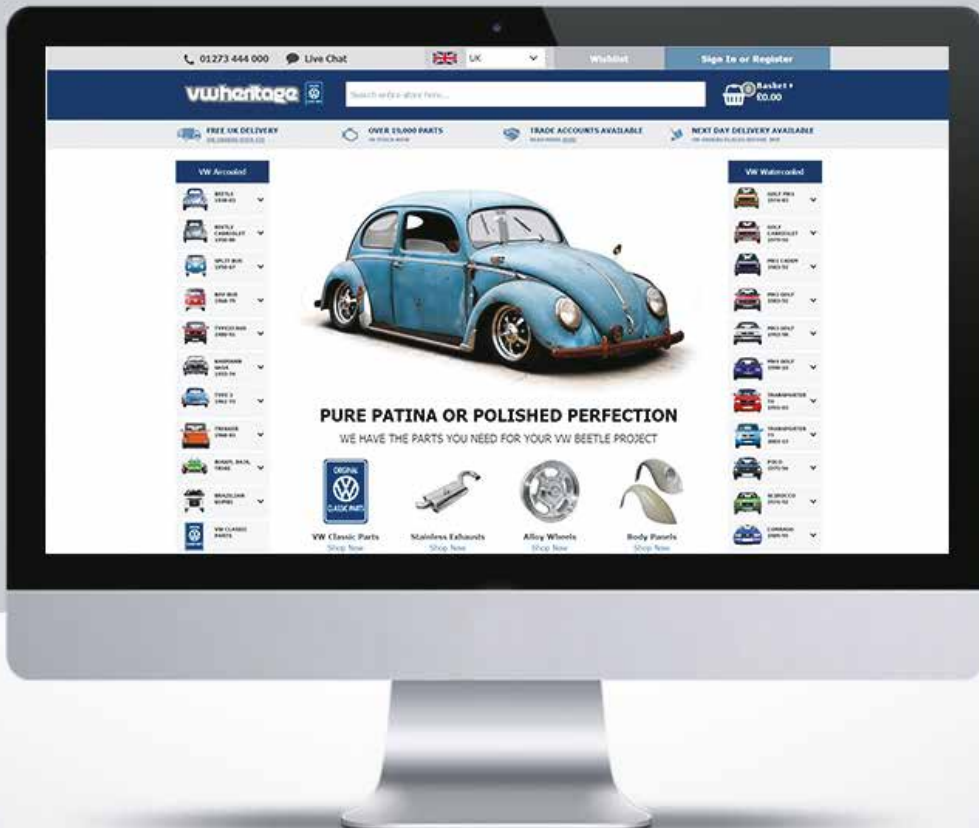
EASY TO NAVIGATE



PAY USING PAYPAL



FREE SHIPPING



# BODY & TRIM



## VEHICLE PAINT AND CONSUMABLES

### PROTECT, REPAIR, PERSONALISE

RAPTOR is a 'made for trade' product originally designed for commercial truck beds.

It can be applied with varying degrees of texture depending on whether you spray, brush or roller it.

Purchase the tintable version to match your vehicles existing colour scheme. RAPTOR is perfect for inner wheel arches, and load floors, as well as the chassis and underside too.

It's not just for metal either, plastic trim can be repaired and revived with the textured finish too.

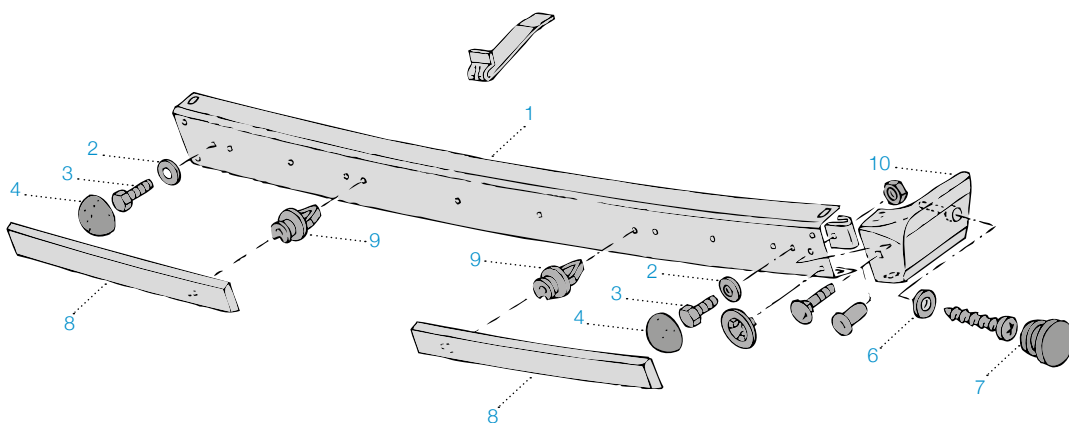
# RAPTOR



**FOR COMPLETE RANGE OF RAPTOR COATING PLEASE VISIT [VWHERITAGE.COM](http://VWHERITAGE.COM)**

RAPTOR Black 1 litre kit	UP001	each	£28.50	Acid 8 Etch primer, 450ml	UP007	each	£16.95
RAPTOR Black 4 litre kit	UP003	each	£94.95	Acid 8 Etch primer, 1 litre	UP008	each	£23.95
RAPTOR Tintable 1 litre kit	UP002	each	£28.50	Grip 4 Adhesion promoter, 450ml	UP009	each	£15.95
RAPTOR Tintable 4 litre kit	UP004	each	£94.95	Panel wipe, 1 litre	UP010	each	£16.50
RAPTOR Traction, anti-slip additive	UP005	each	£12.95	Tiger Seal	UP011	each	£9.50
RAPTOR application spray gun	UP006	each	£28.95	Grey Stripe seam sealer, 1 litre	UP012	each	£23.50

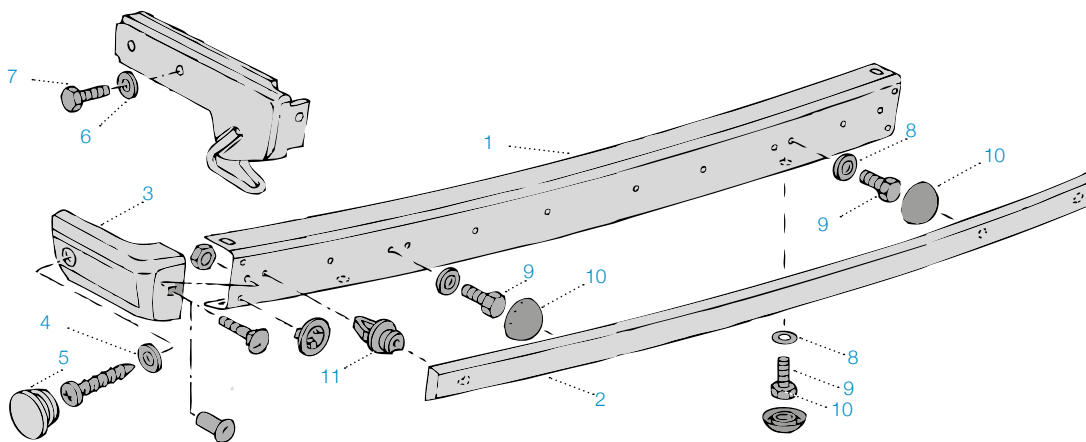
FRONT BUMPER



1	<b>Front bumper</b> black chrome (with rubber strip holes)	251-807-111/C 251-807-111/B	each each	<b>£70.50</b> <b>£108.95</b>
2	<b>Washer</b>	N01-152-520	each	<b>£1.25</b>
3	<b>Bolt</b>	N01-023-911	each	<b>£1.25</b>
4	<b>Bolt cap</b> white black	211-707-192/90D 211-707-192/1BG	each each	<b>£1.50</b> <b>£3.95</b>
6	<b>Washer</b>	N01-166-53	each	<b>£0.95</b>
7	<b>Cap, rear bumper corner</b>	251-807-127/BG	each	<b>£0.95</b>

8	<b>Impact rubber strip for front bumper</b>	251-807-221/A	each	<b>£25.95</b>
9	<b>Clip, bumper mouldings, 8 required</b> metal plastic	251-807-249 171-807-249/A	each each	<b>£0.75</b> <b>£0.35</b>
10	<b>Bumper end cap, comes with cap for screw</b> left hand front/ right rear right hand front/ left rear	251-807-123/A 251-807-124/A	each each	<b>£7.25</b> <b>£7.25</b>
	<b>Bumper end cap fitting kit</b>	251-898-065	each	<b>£5.50</b>
	<b>Front bumper complete, black</b>	251-898-060	kit	<b>£93.95</b>

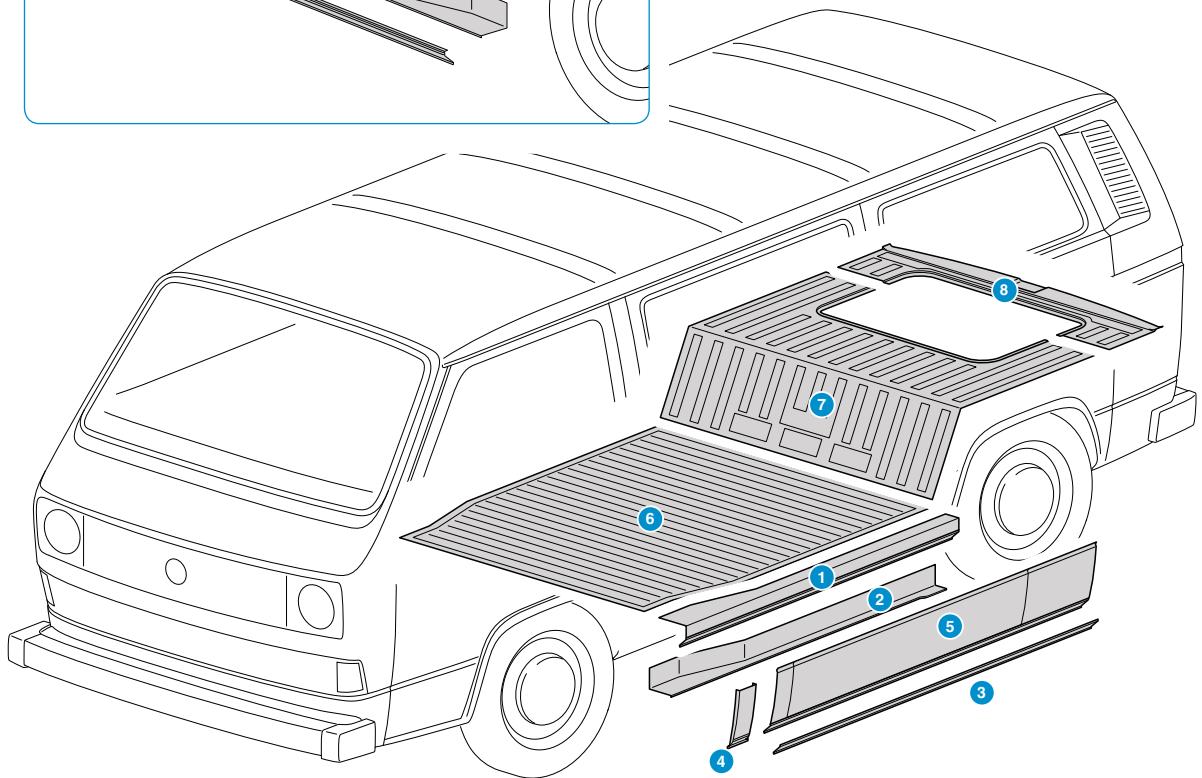
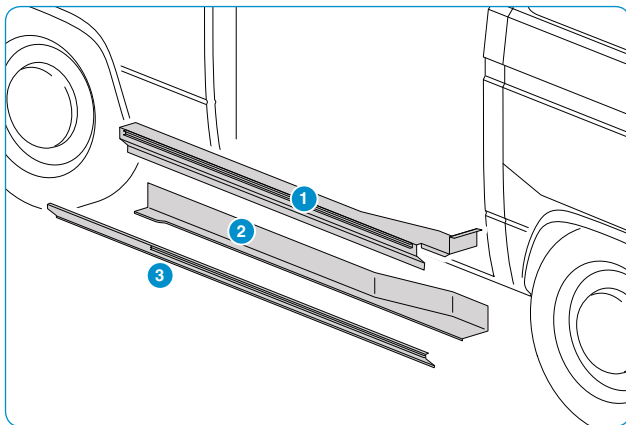
REAR BUMPER



1	<b>Rear bumper</b> black chrome	251-807-311/DB 251-807-311/H	each each	<b>£68.95</b> <b>£108.95</b>
2	<b>Impact rubber strip for rear bumper</b>	251-807-421/A	each	<b>£51.95</b>
3	<b>Bumper end cap, comes with cap for screw</b> left hand front/ right rear right hand front/ left rear	251-807-123/A 251-807-124/A	each each	<b>£7.95</b> <b>£7.95</b>
4	<b>Washer</b>	N01-166-53	each	<b>£0.95</b>
5	<b>Cap, for bumper end cap</b>	251-807-127/BG	each	<b>£3.95</b>
6	<b>Washer</b>	N01-153-17	each	<b>£1.50</b>

7	<b>Bolt</b>	N01-012-03	each	<b>£2.95</b>
8	<b>Washer</b>	N01-152-520	each	<b>£1.25</b>
9	<b>Bolt</b>	N01-023-911	each	<b>£1.50</b>
10	<b>Bolt cap black</b>	211-707-192/1BG	each	<b>£1.50</b>
11	<b>Clip bumper mouldings, 10 required</b> metal plastic	251-807-249 171-807-249/A	each each	<b>£0.75</b> <b>£0.35</b>
	<b>Rear bumper complete, black</b>	251-898-061	kit	<b>£93.95</b>

LOWER BODY & CHASSIS PARTS

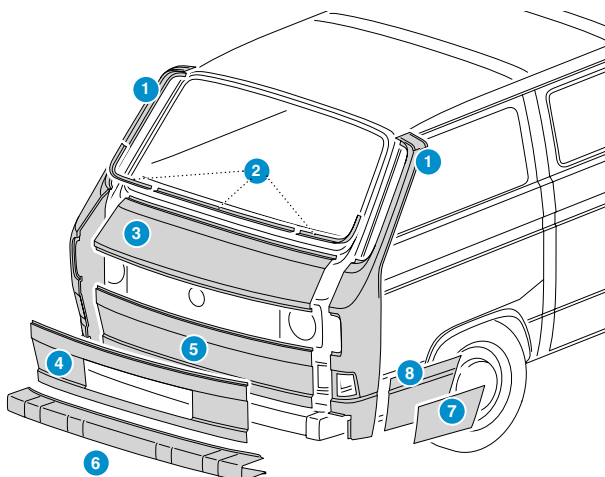


<b>1 Sliding door runner for inner sill</b> genuine VW			
- left	252-803-621/B	each	<b>£238.95</b>
reproduction			
- left	252-801-253	each	<b>£54.95</b>
- right	251-801-254	each	<b>£70.50</b>
<b>2 Inner Sill, including jacking point</b>			
right	253-801-251	each	<b>£193.95</b>
left	253-801-252	each	<b>£193.95</b>
<b>3 Outer sills</b>			
LHD left or RHD right, 11cm	251-809-293	each	<b>£36.50</b>
RHD right, non sliding door	252-809-560	each	<b>£35.95</b>
LHD left, non sliding door	251-809-586/R	each	<b>£33.50</b>
LHD right, inc. seal channel	251-809-294	each	<b>£34.95</b>
RHD left, inc. seal channel	252-809-293	each	<b>£35.95</b>
<b>4 B Pillar lower repair section</b>			
left	252-809-253/A	each	<b>£36.95</b>
right	252-809-254/A	each	<b>£36.95</b>
<b>5 Side Panel left Lower, Full Length</b>	251-809-559	each	<b>£35.95</b>
<b>Side Panel non sliding door, centre only</b>	252-809-560	each	<b>£35.95</b>
<b>Side Panel centre only, to waistline</b>	251-809-159/C	each	<b>£210.95</b>
<b>6 Full cargo floor</b>	251-801-403/A	each	<b>£223.95</b>

<b>7 Boot floor front</b>	251-801-551/A	each	<b>£165.95</b>
<b>8 Boot floor rear</b>	251-801-231	each	<b>NCA</b>
<b>9 Front outriggers</b>			
left	251-801-233	each	<b>£70.50</b>
right	251-801-234	each	<b>£70.50</b>

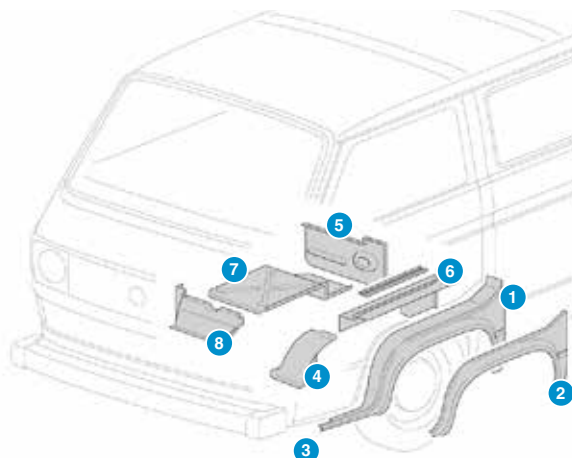


**FRONT PANELS & DOOR REPAIRS**



<b>1 A pillar</b>				
left	251-805-053	each	<b>£335.95</b>	
right	251-805-054	each	<b>£335.95</b>	
<b>2 Windscreen frame lower repair</b>				
3 piece kit	251-805-035	each	<b>£38.95</b>	
<b>3 Front panel upper RHD</b>	252-805-035	each	<b>£139.95</b>	
<b>4 Front panel centre lower watercooled</b>	251-805-037A	each	<b>£105.95</b>	
<b>5 Front panel centre lower aircooled models</b>	251-805-037/AC	each	<b>£144.95</b>	
<b>6 Deformation panel</b>	251-805-041/A	each	<b>£248.95</b>	
<b>7 Cab door lower outer repair</b>				
left	251-831-105	each	<b>£27.95</b>	
right	251-831-106	each	<b>£27.95</b>	
<b>8 Cab door lower outer Genuine</b>				
left	251-831-107	each	<b>£24.95</b>	
right	251-831-108	each	<b>£24.95</b>	
<b>Front centre cross member RHD</b>	251-805-329/B	each	<b>NLA</b>	

**ARCH PANELS**

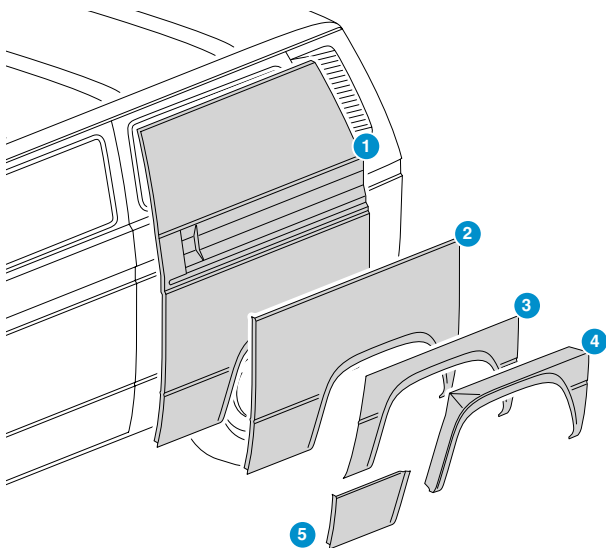


<b>1 Front wheel arch complete</b>				
left	251-809-243/B	each	<b>£180.95</b>	
right	251-809-244/B	each	<b>£180.95</b>	
<b>2 Wheel arch outer panel</b>				
left	251-809-501/R	each	<b>£40.95</b>	
right	251-809-502/R	each	<b>£40.95</b>	
<b>3 Front step repair</b>				
left	251-801-173	each	<b>£26.95</b>	
right	251-801-174	each	<b>£26.95</b>	
<b>4 Front of wheel housing</b>				
left	251-801-699/A	each	<b>£14.95</b>	
right	251-801-700/A	each	<b>£14.95</b>	
<b>5 Rear of front wheel arch panel</b>				
left	251-801-243	each	<b>NCA</b>	
right	251-801-244	each	<b>NCA</b>	
<b>6. Front wheel housing, under seat</b>				
left	251-801-201	each	<b>£110.95</b>	
right	251-801-202	each	<b>£110.95</b>	
<b>7 Battery tray</b>				
left	251-801-283	each	<b>£45.50</b>	
right	251-801-281	each	<b>£72.95</b>	
<b>8 Battery tray closing panel</b>				
left	251-801-689	each	<b>£22.50</b>	
right	251-801-690	each	<b>£22.50</b>	



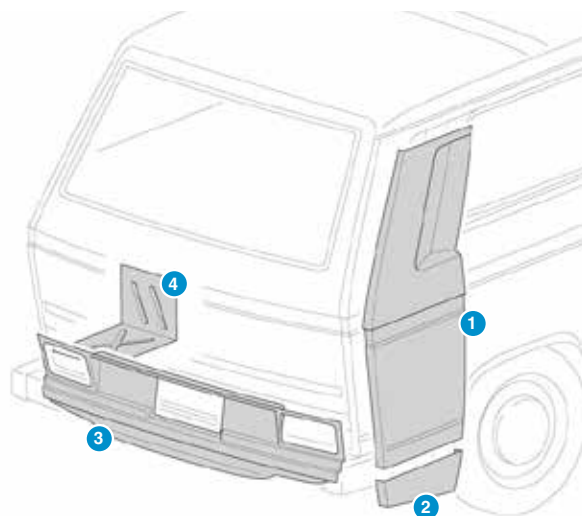
**HOWEVER YOU USE YOUR VOLKSWAGEN, WE CAN HELP**

**SIDE PANELS**



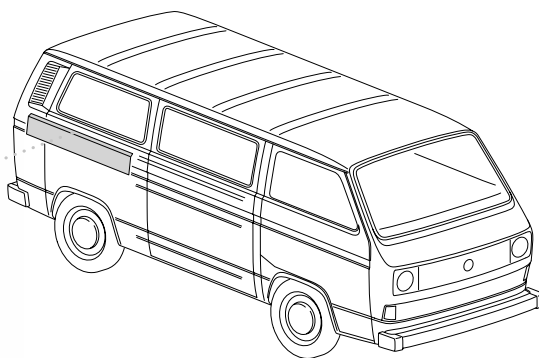
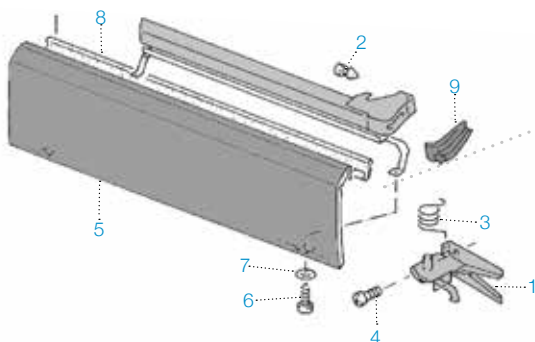
1	<b>Side panel rear, van,RHD,</b>			
	left	252-809-171/D	each	<b>£320.95</b>
	right	252-809-172/D	each	<b>£320.95</b>
2	<b>Rear wheel arch</b>			
	tall left	251-809-171	each	<b>£45.50</b>
	tall right	251-809-172	each	<b>£45.50</b>
3	<b>Rear wheel arch, 80-90</b>			
	medium left	251-809-161	each	<b>£34.95</b>
	medium right	251-809-162	each	<b>£34.95</b>
4	<b>Rear wheel arch, Short</b>			
	left	251-809-161/A	each	<b>£41.95</b>
	right	251-809-162/A	each	<b>£41.95</b>
5	<b>Front of rear arch</b>			
	left	251-809-159	each	<b>£23.50</b>
	right	251-809-160	each	<b>£23.50</b>

**REAR PANELS**



1	<b>Rear corner full height</b>			
	South African Spec			
	left	251-813-367/A	each	<b>£190.95</b>
	right	251-813-368/A	each	<b>£190.95</b>
	German Spec			
	left	251-813-367/AR	each	<b>£314.95</b>
	right	251-813-368/AR	each	<b>£314.95</b>
2	<b>Rear corner lower repair</b>			
	left	251-813-367	each	<b>£31.50</b>
	right	251-813-368	each	<b>£31.50</b>
3	<b>Rear panel complete</b>	251-813-193/H	each	<b>£239.95</b>
4	<b>Rear platform tray</b>			
	left	251-813-251	each	<b>£33.95</b>
	right	251-813-252	each	<b>£33.95</b>
5	<b>Battery tray repair panel. Diesel</b>	251-801-281/D	each	<b>£75.95</b>

**SLIDING DOOR TRACK COVERS**

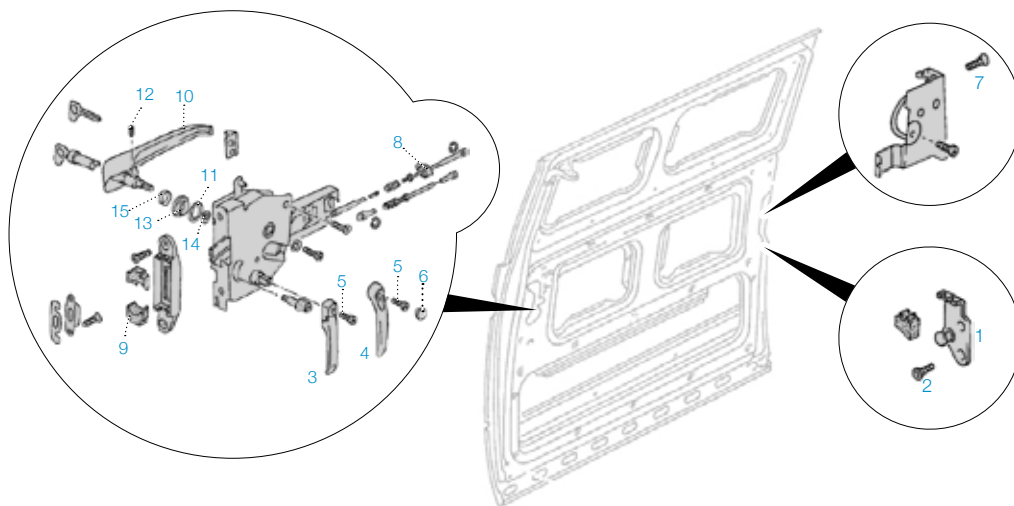


1	<b>Latch 85&gt;</b>	251-843-740/A	each	<b>£43.50</b>
2	<b>Stop buffer</b>	211-843-749	each	<b>£4.95</b>
3	<b>Spring</b>	251-843-756/A	each	<b>NCA</b>
4	<b>Bolt fillister head</b>	N01-413-95	each	<b>£1.50</b>
5	<b>Cover for side panel</b>			
	left sliding door	252-843-797	each	<b>£85.50</b>
	right sliding door	251-843-798	each	<b>£145.95</b>
	right	252-843-798	each	<b>£85.50</b>

6	<b>Oval head panel screw</b>	N01-396-55	each	<b>£1.25</b>
7	<b>Washer</b>	N01-166-44	each	<b>£1.25</b>
8	<b>Beading/ seal</b>	281-843-799	each	<b>£9.50</b>
9	<b>Buffer 86&gt;</b>	251-843-876	each	<b>NCA</b>



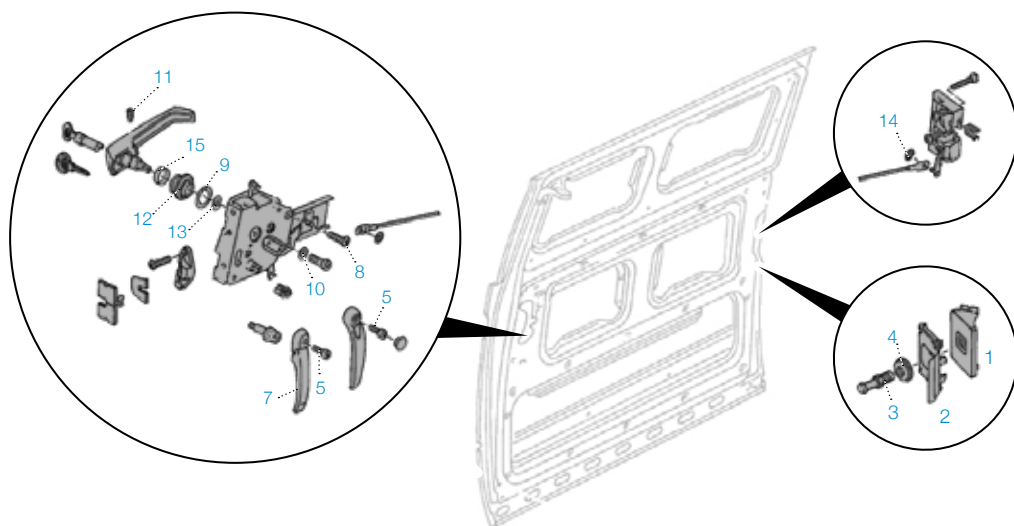
EARLY SLIDING DOOR CATCH >84



1	<b>Striker plate</b> left right	214-843-635/B 211-843-636/B	each each	<b>£25.95</b> <b>£20.95</b>
2	<b>Bolt</b> oval head countersunk	N90-322-901	each	<b>£0.95</b>
3	<b>Door handle</b> inner graphite	253-843-642/1BG	each	<b>NCA</b>
4	<b>Door handle</b> inner grey	211-843-642/A	each	<b>£25.95</b>
5	<b>Bolt</b> fillister head	N01-413-13	each	<b>£1.95</b>
6	<b>Cover cap</b> , grey	211-843-645	each	<b>£2.00</b>
7	<b>Oval head countersunk bolt</b>	N03-304-21	each	<b>£0.95</b>
8	<b>Guide</b> for cable and pull rod	211-843-663	each	<b>£2.50</b>

9	<b>Stop buffer</b>	253-843-668	each	<b>NCA</b>
10	<b>Door handle</b> outer left right	252-843-703 251-843-704	each each	<b>£78.95</b> <b>£75.95</b>
11	<b>Washer</b>	251-843-708	each	<b>£1.25</b>
12	<b>Threaded pin</b>	N01-304-11	each	<b>NCA</b>
13	<b>Grommet</b>	251-843-711	each	<b>£4.95</b>
14	<b>Shim</b>	211-843-717	each	<b>£2.25</b>
15	<b>Seal for outer handle</b>	211-843-731	each	<b>£5.95</b>

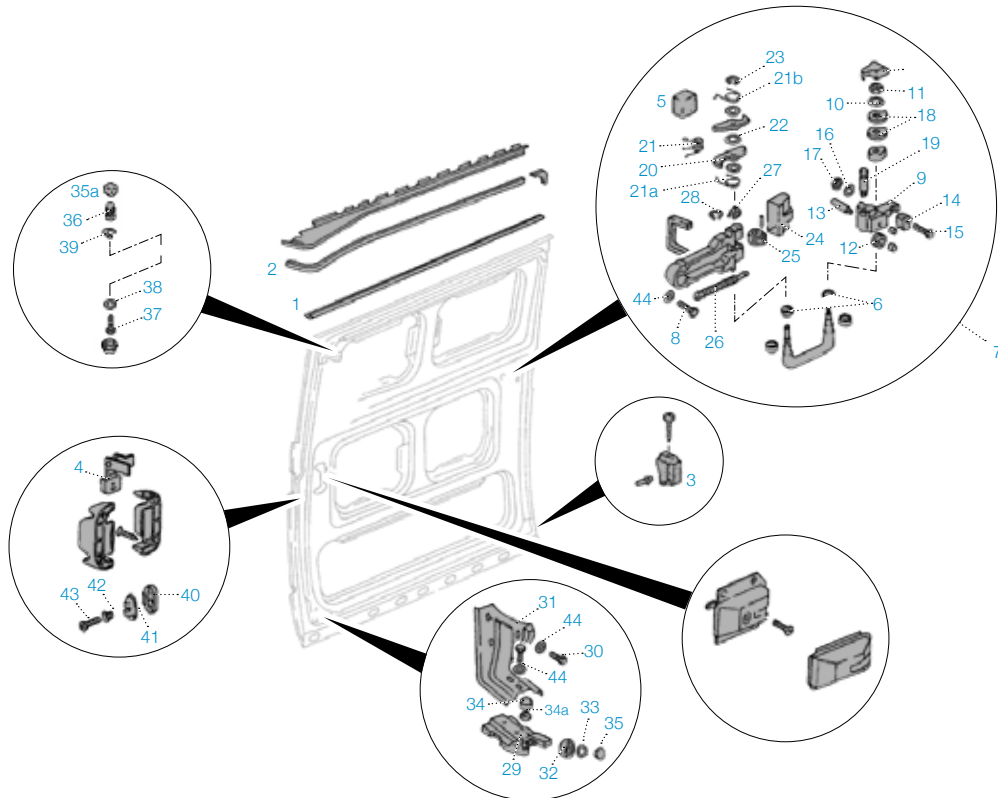
LATE SLIDING DOOR CATCH 85>



1	<b>Support</b>	251-843-624	each	<b>£21.95</b>
2	<b>Securing cap</b>	251-843-617	each	<b>£5.95</b>
3	<b>Striker pin</b>	251-843-636	each	<b>NCA</b>
4	<b>Concave spring washer</b>	823-837-057/A	each	<b>£4.50</b>
5	<b>Bolt</b> fillister head	N01-413-13	each	<b>£1.95</b>
6	<b>Cover cap</b> , grey	211-843-645	each	<b>£2.95</b>
7	<b>Door handle</b> , inner grey	211-843-642/A	each	<b>£25.95</b>
8	<b>Bolt</b> oval head countersunk	N03-304-21	each	<b>£0.95</b>

9	<b>Washer</b>	251-843-708	each	<b>£1.25</b>
10	<b>Washer</b> all years	N01-154-02	each	<b>£0.85</b>
11	<b>Threaded pin</b>	N01-304-11	each	<b>CALL</b>
12	<b>Seal</b>	251-843-711/A	each	<b>£3.50</b>
13	<b>Shim</b>	211-843-717	each	<b>£2.25</b>
14	<b>Lock washer</b>	N01-243-52	each	<b>£0.95</b>
15	<b>Seal for outer handle</b>	211-843-731	each	<b>£5.95</b>

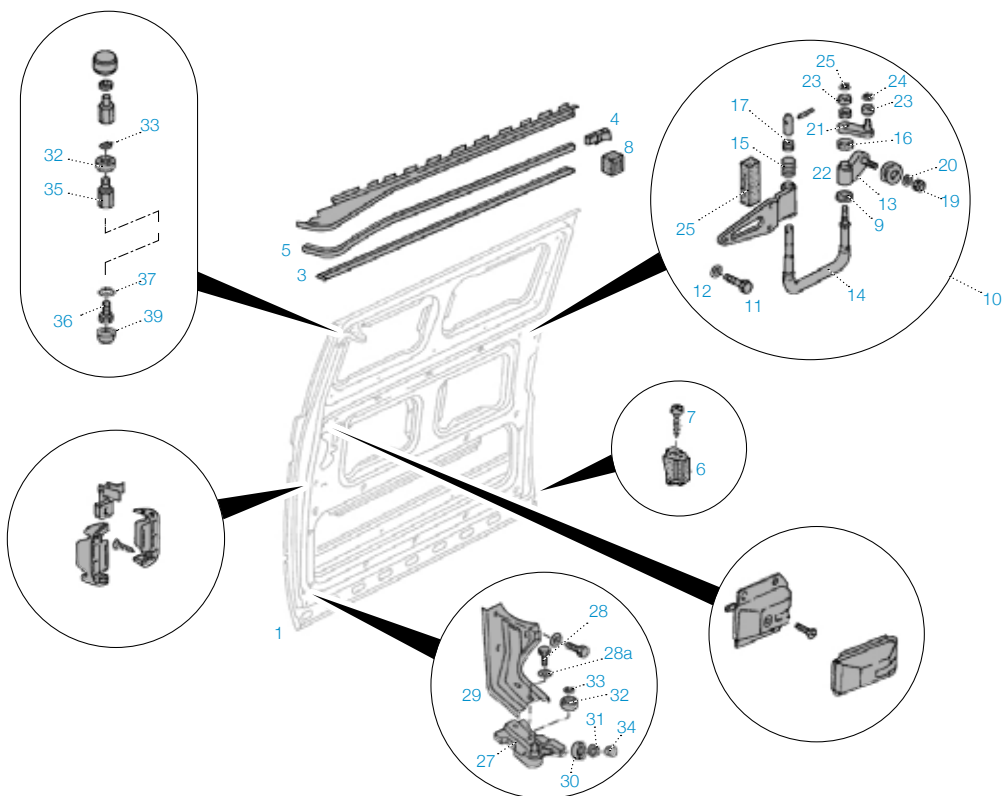
SLIDING DOOR CATCHES >84



1	<b>Protective edging</b>	251-843-178	each	<b>NLA</b>
2	<b>Trim</b> above door cloud white	253-843-196/A	each	<b>£31.50</b>
3	<b>Stop buffer</b>	251-843-312/A	each	<b>NCA</b>
4	<b>Staple</b> for padlock	281-827-285	each	<b>NCA</b>
5	<b>Stop buffer</b>	251-843-314	each	<b>£1.50</b>
6	<b>Seal</b> from Ch. 24-C-112 376 to 24-E-175 000	251-843-330	each	<b>£7.95</b>
7	<b>Hinge</b> (complete) for sliding door left right	252-843-335/B 251-843-336/B	each each	<b>£326.95</b> <b>£81.50</b>
8	<b>Hexagonal head bolt</b>	N01-023-911	each	<b>£1.50</b>
9	<b>Support</b> for sliding door Arm	252-843-341/A 251-843-351/B	each each	<b>£361.95</b> <b>£164.70</b>
10	<b>Washer</b>	N01-155-811	each	<b>£0.85</b>
11	<b>Hexagonal nut</b>	N01-100-88	each	<b>£0.50</b>
12	<b>Roller</b>	251-843-361	each	<b>NCA</b>
13	<b>Pin</b>	251-843-363	each	<b>NLA</b>
14	<b>Guide piece</b>	251-843-368	each	<b>£7.25</b>
15	<b>Bolt</b> Fillister head	N01-415-31	each	<b>£1.50</b>
16	<b>Washer</b>	N01-152-318	each	<b>£0.95</b>
17	<b>Hexagonal nut</b> M5	N01-100-517	each	<b>£0.80</b>
18	<b>Operating cam</b> to Ch. 24-E-037 407 from Ch. 24-E-037 408 to 24-E-175 000	211-843-371/A 251-843-371	each each	<b>NCA</b> <b>£5.95</b>
19	<b>Pin</b>	251-843-373	each	<b>£3.95</b>
20	<b>Locking lever</b> upper lower	211-843-377/A 211-843-379/B	each each	<b>£11.95</b> <b>£11.50</b>
21	<b>Spring</b> <b>Leg spring</b> from Ch. 24-E-037 408 to 24-E-175 000	211-843-381/A	each	<b>£6.50</b>
21a	left	251-843-381		<b>£3.25</b>
21b	right	251-843-382		<b>NCA</b>


22	<b>Washer</b>	N90-246-901	each	<b>£2.25</b>
23	<b>Lock washer</b>	N01-243-62	each	<b>£1.25</b>
24	<b>Protective cover</b>	252-843-389	each	<b>NLA</b>
25	<b>Spring retainer</b>	251-843-393	each	<b>NLA</b>
26	<b>Tension spring</b>	211-843-395/B	each	<b>£53.95</b>
27	<b>Securing ring</b> >82	N01-240-71	each	<b>£0.65</b>
28	<b>Lock washer</b> 82-84	N90-064-901	each	<b>£1.25</b>
29	<b>Roller guide</b> for sliding door left right	252-843-405/A 251-843-406/A	each each	<b>£129.95</b> <b>£116.95</b>
30	<b>Hexagonal head bolt</b>	N01-023-911	each	<b>£1.50</b>
31	<b>Carrier arm</b> LHD	251-843-412	each	<b>£49.95</b>
32	<b>Roller</b> upper	251-843-419	each	<b>£43.50</b>
33	<b>Securing ring</b>	N01-240-71	each	<b>£0.65</b>
34	<b>Guide roller</b>	251-843-423/B	each	<b>£5.95</b>
34a	<b>Felt ring</b>	211-843-499	each	<b>£0.65</b>
35	<b>Cover cap</b>	211-843-429	each	<b>£3.25</b>
35a	<b>Glide piece</b>	251-843-423	each	<b>NCA</b>
36	<b>Pin</b>	251-843-441	each	<b>£8.25</b>
37	<b>Hexagonal head bolt</b>	N01-005-83	each	<b>£1.50</b>
38	<b>Washer</b>	N01-152-711	each	<b>£1.25</b>
39	<b>Compensation plate</b>	251-843-448	each	<b>£0.75</b>
40	<b>Cage</b> for rubber buffer	211-843-467/A	each	<b>£6.50</b>
41	<b>Wedge buffer</b>	211-843-471	each	<b>£9.75</b>
42	<b>Bush</b> for rubber buffer	251-843-475	each	<b>£0.95</b>
43	<b>Bolt</b> oval head countersunk	N03-304-21	each	<b>£1.25</b>
44	<b>Washer</b>	211-843-661	each	<b>£1.25</b>

SLIDING DOOR CATCHES 85>



1	<b>Sliding door</b> without window opening left right	252-843-105/B 251-843-106/H	each each	<b>£521.95</b> <b>£839.95</b>
2	<b>Sliding door</b> with window opening left right	254-843-105/B 253-843-106/E	each each	<b>NLA</b> <b>NLA</b>
3	<b>Protective edging</b> 1200mm	251-843-178	each	<b>NLA</b>
4	<b>Cover cap</b> right	255-843-188/A	each	<b>£1.50</b>
5	<b>Beading</b>	253-843-196/A	each	<b>£31.50</b>
6	<b>Stop buffer</b> lower	251-843-312/A	each	<b>NLA</b>
7	<b>Self-tapping screw</b>	N01-409-63	each	<b>£0.75</b>
8	<b>Stop buffer</b>	251-843-314	each	<b>£1.50</b>
9	<b>Seal</b>	251-843-330	each	<b>£7.95</b>
10	<b>Hinge</b> (complete) for sliding door left right	252-843-335/B 251-843-336/B	each each	<b>£326.95</b> <b>£81.50</b>
11	<b>Hexagonal head bolt</b>	N01-023-820	each	<b>£3.25</b>
12	<b>Washer</b>	N90-477-301	each	<b>£0.95</b>
13	<b>Support</b> for sliding door left right	252-843-341/A 251-843-342/A	each each	<b>£60.95</b> <b>£66.95</b>
14	<b>Arm</b>	251-843-351/B	each	<b>£166.95</b>
15	<b>Torsion spring</b> left right	252-843-353 251-843-354	each each	<b>£4.95</b> <b>£4.95</b>
16	<b>Seal</b>	251-843-356	each	<b>£3.25</b>
17	<b>Seal</b>	251-843-356/A	each	<b>NLA</b>
18	<b>Roller</b> vertical middle hinge	251-843-361/B	each	<b>£28.95</b>
19	<b>Hexagonal nut</b>	N01-111-65	each	<b>£1.50</b>
20	<b>Spring ring</b>	N01-200-64	each	<b>£0.45</b>
21	<b>Guide piece</b>	251-843-376	each	<b>£50.95</b>
22	<b>Hexagonal nut</b>	N01-101-15	each	<b>£1.50</b>

23	<b>Guide roller</b> upper middle hinge	251-843-423/A	each	<b>£2.25</b>
24	<b>Securing ring</b>	N01-240-82	each	<b>£1.50</b>
	<b>Protective cap</b>	251-843-390/A	each	<b>NCA</b>
	<b>Grooved pin</b> self locking	N10-070-601	each	<b>NLA</b>
25	<b>Gasket</b>	251-843-402/B	each	<b>NLA</b>
27	<b>Roller guide</b> for sliding door left right	252-843-405/A 251-843-406/A	each each	<b>£129.95</b> <b>£116.95</b>
28	<b>Bolt</b>	N01-023-911	each	<b>£1.50</b>
28a	<b>Washer</b>	211-843-661	each	<b>£1.25</b>
29	<b>Carrier arm</b> left right	252-843-411 251-843-412	each each	<b>£17.50</b> <b>£49.95</b>
30	<b>Roller</b>	251-843-419	each	<b>£43.50</b>
32	<b>Guide roller</b> upper and lower hinge	251-843-425/A	each	<b>£13.95</b>
33	<b>Securing ring</b>	N01-240-71	each	<b>£0.65</b>
34	<b>Cover cap</b>	211-843-429	each	<b>£3.25</b>
35	<b>Roller guide</b> for sliding door	251-843-436/A	each	<b>NCA</b>
36	<b>Hexagonal head bolt</b>	N01-023-820	each	<b>£3.25</b>
37	<b>Washer</b>	N01-152-520	each	<b>£1.25</b>
39	<b>Cover cap</b> black white	211-707-192/1BG 211-707-192/90D	each each	<b>£1.50</b> <b>£1.50</b>

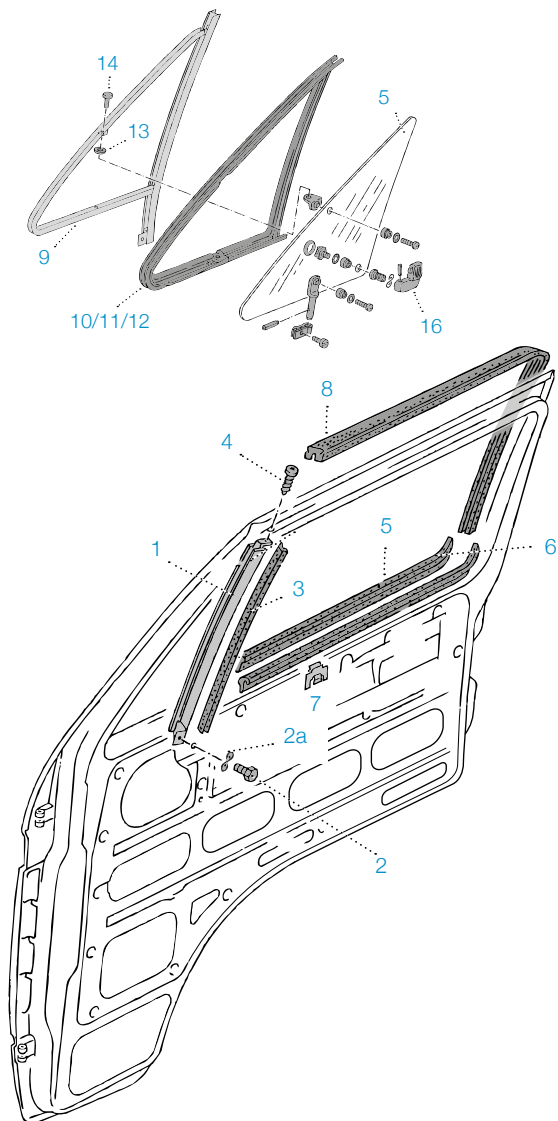


**Sliding door seal**

Left or right hand side sliding door seal. 80-92

252-843-791/AB **£59.95**

DOOR WINDOWS AND SEALS



1	<b>Quarter light bar</b> left right	251-837-409 251-837-410	each each	<b>£26.90</b> <b>£29.20</b>
2	<b>Bolt</b>	N90-529-301	each	<b>£1.25</b>
3	<b>Felt guide small</b>	171-837-433/A	each	<b>£15.95</b>
3a	<b>Spring washer</b>	211-805-243	each	<b>£1.50</b>
4	<b>Panel screw</b>	N01-395-75	each	<b>£1.25</b>
5	<b>Outer scraper</b> left, without moulding right, without moulding left with chrome moulding right with chrome moulding	251-837-703 251-837-704 255-837-703 255-837-704	each each each each	<b>£23.50</b> <b>£23.50</b> <b>£32.50</b> <b>£32.50</b>
6	<b>Inner scraper</b> left right	251-837-704 251-837-703	each each	<b>£23.50</b> <b>£23.50</b>
7	<b>Clips for felt guide</b>	171-837-485	each	<b>£1.50</b>
8	<b>Felt guide large</b> for vehicles without moulding with moulding	281-837-709 255-837-709	each each	<b>£36.95</b> <b>NLA</b>
9	<b>Quarter light frame comp</b> left right	251-837-405 251-837-406	each each	<b>£95.95</b> <b>£95.95</b>
10	<b>Seal</b> vehicles without mouldings left right	251-837-625/A 251-837-626/A	each each	<b>£37.95</b> <b>£37.95</b>
11	<b>Seal</b> vehicles with mouldings opening window left right	255-837-625 255-837-626	each each	<b>£58.95</b> <b>£58.95</b>
12	<b>Seal</b> for fixed quarter light, left or right	251-837-625	each	<b>£58.95</b>
13	<b>Washer</b>	111-837-637	each	<b>£1.95</b>
14	<b>Bolt</b> self locking	111-837-648	each	<b>£1.50</b>
15	<b>Quarter light glass</b> <b>fixed</b> - left - right <b>Opening</b> - left - right	251-845-251/B 251-845-252/B 251-845-251/A 251-845-252/A	each each each each	<b>£28.95</b> <b>£28.95</b> <b>£26.95</b> <b>£26.95</b>
16	<b>Latch</b> left right	171-837-657 171-837-658	each each	<b>£60.95</b> <b>£60.95</b>

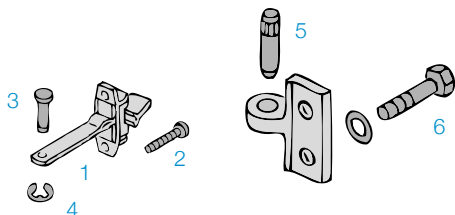
DOOR SEAL SET



Renew your door seal and door window seals all at once with top quality rubber. Sold as an extra value kit to save you more money. Not currently available for fixed ¼ light models.

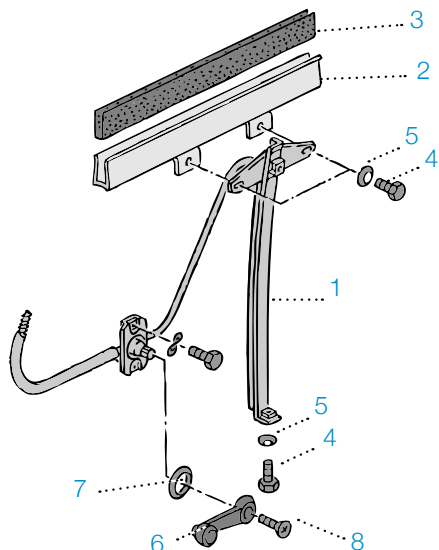
1	<b>Door Seal Set,</b> opening 1/4 light, plain, left	251-898-911/BSOPN	kit	<b>£170.95</b>
	<b>Door Seal Set,</b> opening 1/4 light, plain, right	251-898-912/BSOPN	kit	<b>£170.95</b>

DOOR HINGE PARTS



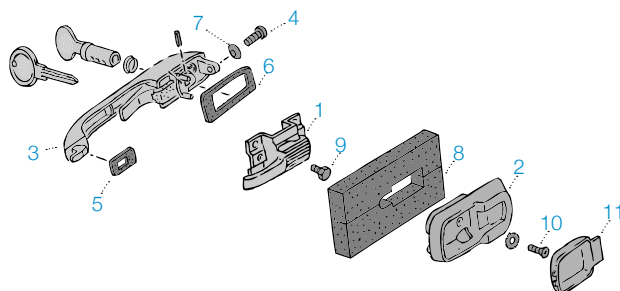
1	<b>Check strap</b>	251-837-249	each	<b>£53.95</b>
2	<b>Bolt for check strap</b>	N01-414-05	each	<b>£1.25</b>
3	<b>Pin for check strap</b>	211-837-257/B	each	<b>£0.85</b>
4	<b>Lock washer</b>	N01-243-52	each	<b>£0.95</b>
5	<b>Door hinge pin</b>	321-831-421	each	<b>£1.50</b>
6	<b>Bolt for door hinge</b>	N01-023-911	each	<b>£1.50</b>

WINDOW WINDER MECHANISM



1	<b>Winder mechanism</b> left right	251-837-501/A 251-837-502/A	each each	<b>£24.95</b> <b>£24.95</b>
2	<b>Lift channel</b>	281-837-571	each	<b>£23.95</b>
3	<b>Lift channel seal</b>	831-837-565	each	<b>£4.50</b>
4	<b>Bolt m6</b>	N90-529-301	each	<b>£1.25</b>
5	<b>Spring washer</b>	111-837-941	each	<b>£0.80</b>
6	<b>Winder handle</b> Genuine VW reproduction top quality reproduction	321-837-581/01C 321-837-581/R 321-837-581/RR	each each each	<b>NLA</b> <b>£5.50</b> <b>£2.95</b>
7	<b>Trim ring black</b>	111-837-595/A /01C	each	<b>£3.50</b>
8	<b>Screw</b>	N01-426-43	each	<b>£1.25</b>

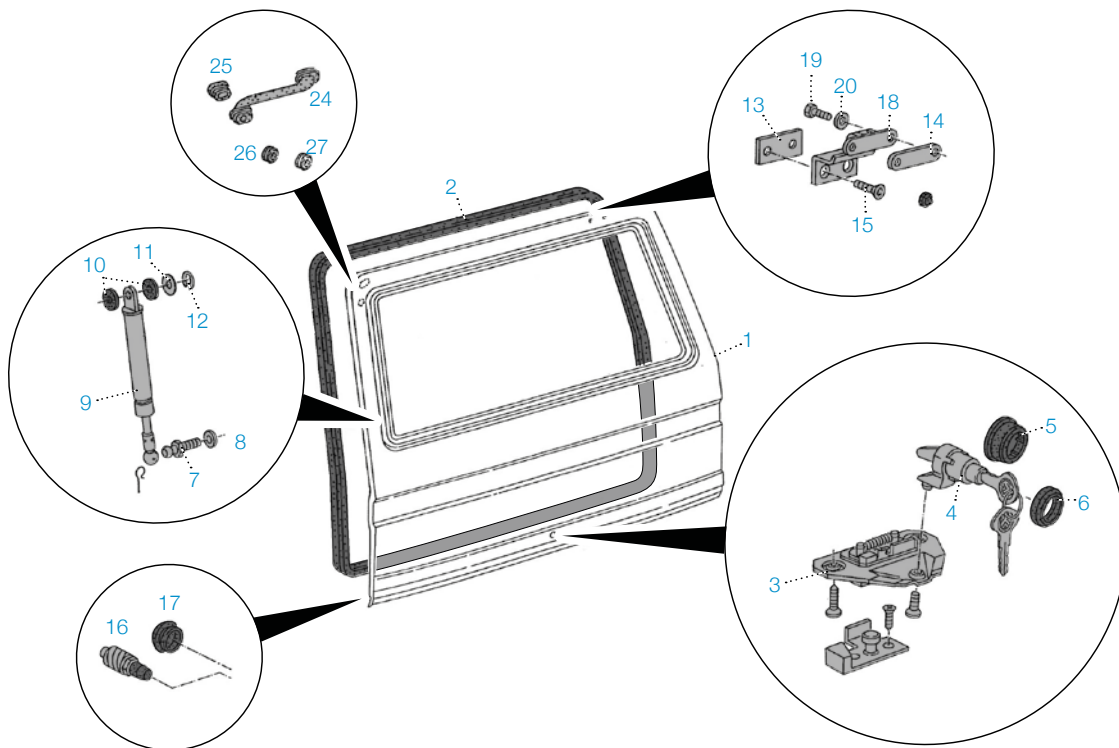
CAB DOOR HANDLES



1	<b>Inner door lever</b> - chrome reproduction smooth ridged - left - right	171-898-019 113-837-019/B 113-837-020/B	pair each each	<b>NLA</b> <b>£17.50</b> <b>£17.50</b>
2	<b>Inner door handle surround</b> type 25 original style black <b>Beetle style</b> - black - chrome	171-837-235/BK 111-837-239/B /01C 113-837-239/B/CM	each each pair	<b>£8.50</b> <b>£7.25</b> <b>£22.50</b>
3	<b>Door handle</b> - genuine VW - reproduction pair with matching keys, genuine	251-837-205/GEN 251-837-205 251-898-205	each each pair	<b>£102.95</b> <b>£40.50</b> <b>NLA</b>
4	<b>Bolt</b>	N01-413-95	each	<b>£1.50</b>
5	<b>Gasket</b> door handle, small	251-837-209	each	<b>£3.50</b>
6	door handle, large	251-837-211	each	<b>£3.75</b>
7	<b>Spring washer</b>	111-837-941	each	<b>£0.80</b>
8	<b>Seal</b> for door operating lever	171-837-241	each	<b>£4.50</b>
9	<b>Bolt</b>	N90-529-301	each	<b>£1.25</b>
10	<b>Bolt</b>	N01-421-54	each	<b>£1.25</b>
11	<b>Handle recess</b> black	311-837-247/01C	each	<b>£4.50</b>
	<b>Lock knob</b> black	251-837-187/A	each	<b>£3.25</b>
	<b>Guide for lock knob</b>	251-837-355	each	<b>£3.25</b>



TAILGATE

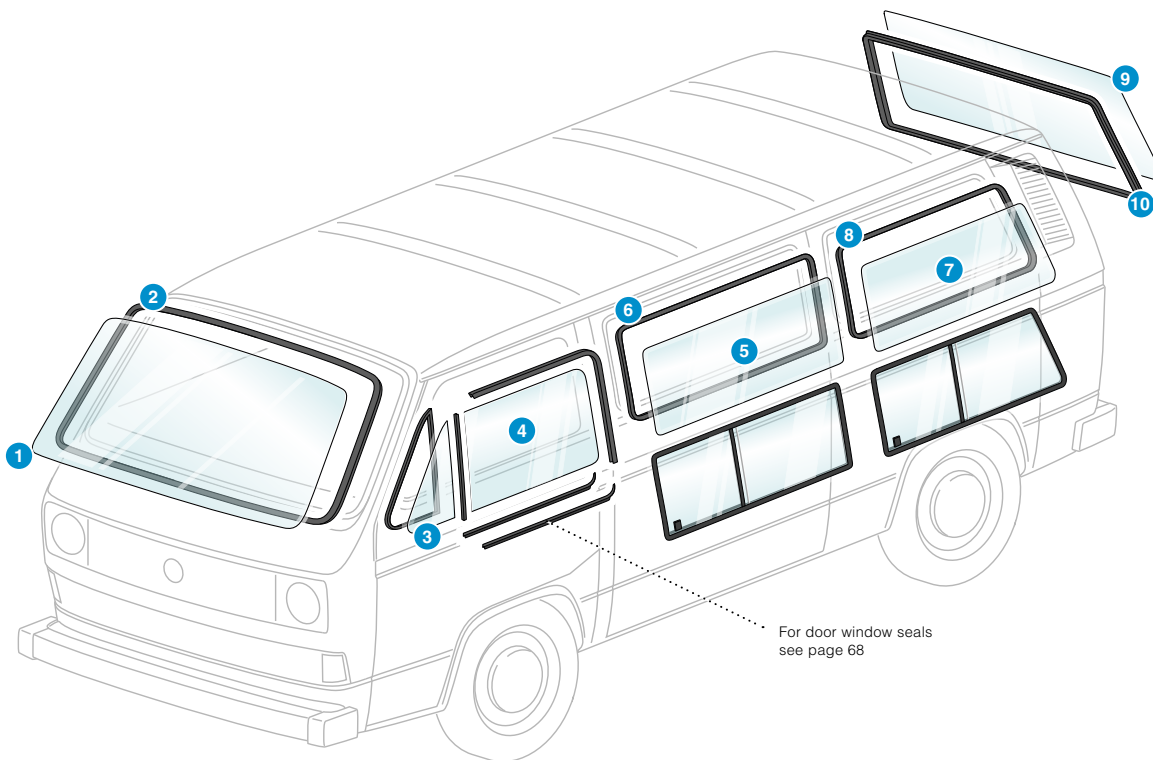


1	<b>Tailgate</b> (with window)	251-829-105/T	each	<b>NLA</b>
2	<b>Tailgate seal</b>	255-829-193	each	<b>£55.50</b>
3	<b>Tailgate mechanism</b> from chassis number 24-F-071-536>	251-829-211/A	each	<b>NCA</b>
4	<b>Tailgate lock cylinder</b> non central locking >84 non central locking 85> with safety lock 24-E-005-434 >84 with central locking 85>	251-829-231	each	<b>£42.95</b>
		251-829-231/B	each	<b>NCA</b>
		251-829-231/C	each	<b>NCA</b>
		251-829-231/F	each	<b>NCA</b>
5	<b>Fitting bush</b> for lock cylinder to Ch. >24-E-004 433	251-829-234	each	<b>NCA</b>
6	<b>Seal</b> for push button to Ch >24-E-004 433 to Ch 24-E-0058 433>	361-827-527	each	<b>£4.95</b>
		251-829-233	each	<b>£4.95</b>
7	<b>Ball/bolt</b>	191-827-439	each	<b>NLA</b>
8	<b>Washer</b>	N01-169-61	each	<b>£1.25</b>
9	<b>Gas strut</b> for tailgate	251-829-331/A	each	<b>£16.95</b>
10	<b>Rubber washer</b>	N90-228-201	each	<b>NLA</b>
11	<b>Washer</b>	N01-152-520	each	<b>£1.25</b>

12	<b>E-clip</b>	N01-243-62	each	<b>£1.25</b>
13	<b>Hinge seal</b> (to body) all years	251-829-573/B	each	<b>£2.25</b>
14	<b>Hinge seal</b> (to tailgate) >24-C-200 000	251-829-575	each	<b>£0.75</b>
15	<b>Bolt</b> countersunk	N90-322-901	each	<b>£0.95</b>
16	<b>Adjustable buffer</b>	251-829-597	each	<b>NCA</b>
17	<b>Grommet/plug</b>	211-843-429	each	<b>£3.25</b>
18	<b>Tailgate hinge</b>	251-829-641	each	<b>£30.95</b>
19	<b>Bolt</b>	N01-021-527	each	<b>£1.25</b>
20	<b>Washer</b>	N01-155-72	each	<b>£0.95</b>
21	<b>Striker plate</b>	251-829-545	each	<b>NLA</b>
22	<b>Bolt</b>	N03-300-61	each	<b>£2.95</b>
23	<b>Plug</b>	N02-002-51	each	<b>£9.50</b>
24	<b>Tube grommet</b>	321-971-840	each	<b>£2.95</b>
25	<b>Plug</b>	171-971-910	each	<b>£2.95</b>
26	<b>Grommet</b>	481-971-915	each	<b>£2.95</b>
27	<b>Grommet</b>	N02-002-23	each	<b>£2.25</b>



GLASS AND SEALS



1	<b>Windscreen glass</b> clear laminated	251-845-101/A	each	<b>£192.95</b>
2	<b>Front windscreen seal</b> without trim groove with trim groove	251-845-121	each	<b>£43.95</b>
		255-845-121	each	<b>£37.95</b>
3	<b>Quarter light glass</b> clear opening left right	251-845-251/A	each	<b>£26.95</b>
		251-845-252/A	each	<b>£26.95</b>
	<b>Quarter light glass</b> clear fixed left right	251-845-251/B	each	<b>£28.95</b>
		251-845-252/B	each	<b>£28.95</b>
	<b>Quarter light seals</b> see page 57 item 38		each	
4	<b>Door glass</b> clear left right	251-845-201	each	<b>£39.95</b>
		251-845-202	each	<b>£39.95</b>
5	<b>Centre side glass</b> clear side sliding door 428x1052 85>	251-845-321	each	<b>£44.95</b>
		253-845-302	each	<b>£67.95</b>
6	<b>Centre side window seal</b> for sliding door without trim groove with trim groove	253-845-322	each	<b>£37.95</b>
		255-845-322	each	<b>£91.50</b>
	for non sliding door side without trim groove with trim groove	253-845-321	each	<b>£40.95</b>
		255-845-321	each	<b>£45.95</b>
7	<b>Rear side glass</b> clear left or right	251-845-371	each	<b>£44.95</b>
8	<b>Rear side window seal</b> without trim groove with trim groove	253-845-341	each	<b>£31.95</b>
		255-845-341	each	<b>£43.95</b>
9	<b>Rear screen glass</b> clear heated	251-845-501/A	each	<b>£99.50</b>
10	<b>Rear screen seal</b> without trim groove with trim groove	251-845-521	each	<b>£34.95</b>
		255-845-521	each	<b>£34.95</b>
11	<b>Chrome trim insert</b> for deluxe window seals with trim groove supplied in 4120mm lengths, flat profile	255-853-305	each	<b>£13.95</b>

12	<b>Chrome trim joiner</b> front & rear win- dows (flat profile)	171-853-339/A	each	<b>£4.50</b>
13	<b>Chrome trim joiner</b> original side windows only (round profile)	311-853-309/B	each	<b>£3.95</b>
14	<b>Trim fitting tool</b> deluxe	011-898-109	each	<b>£37.95</b>
		<b>Seal for side window, converted van</b>	251-845-321/VAN	each

SLIDING WINDOWS

UPGRADES  
& CUSTOM PARTS



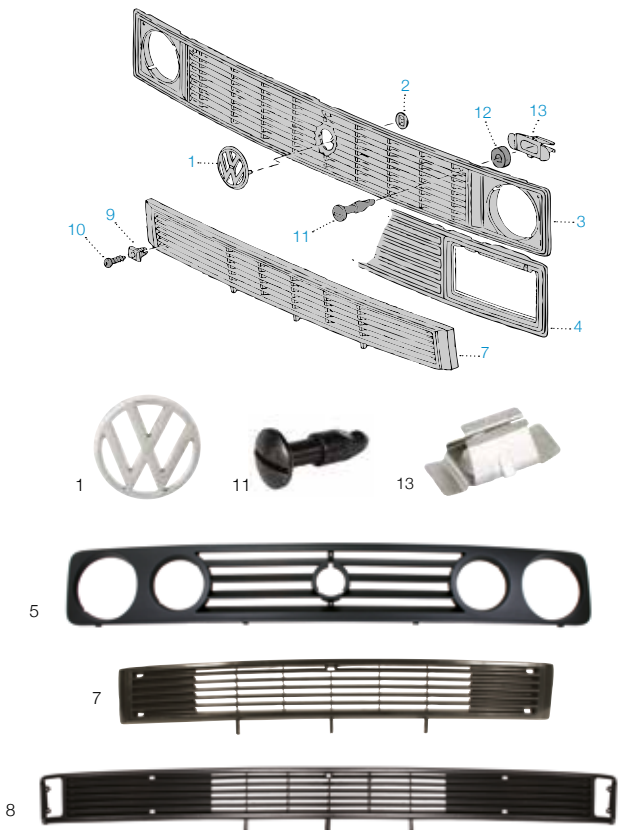
**Type 25 Sliding Windows**

Add some extra ventilation to the rear of your Type 25 with SSP Sliding windows. A faithful replica of the OE sliding windows that have been obsolete from VW for over 15 years. Window can be secured in closed and multiple open positions using the black OE look catch. Fitment is with original style window rubber. These won't fit van conversions.

Opening middle windows coming soon – Call us!

1	<b>Sliding window</b> Rear left	253-847-765	each	<b>£153.95</b>
	<b>Sliding window</b> Rear right	253-847-766	each	<b>£153.95</b>

FRONT TRIM



1	<b>VW badge,</b> 95mm chrome 100mm for SA grille 125mm, chrome	321-853-601 3A0-853-601 251-853-601	each each each	<b>£20.95</b> <b>£45.50</b> <b>£37.95</b>
2	<b>Clip for grille badge</b>	N01-206-81	each	<b>£1.25</b>
<b>Front grilles</b>				
3	single round lights >1985 / 95mm badge	251-853-652/D	each	<b>£62.95</b>
	1986> / 125mm badge	255-853-652/G	each	<b>NCA</b>
4	square headlamps	255-853-652/K	each	<b>NCA</b>
5	twin round lights South African spec	22S-853-641/A	each	<b>£160.95</b>
<b>Lower grilles</b>				
7	original German style	251-853-663	each	<b>£34.95</b>
8	South African spec wrap-around style	251-853-665/SA	each	<b>£208.95</b>
9	<b>Trim clip</b>	171-853-695/A	each	<b>£0.65</b>
10	<b>Screw</b>	N01-397-41	each	<b>£0.95</b>
11	<b>Pin for grille</b>	251-853-731	each	<b>£5.50</b>
12	<b>Rubber washer for grille 5 required</b>	251-853-735	each	<b>£1.50</b>
13	<b>Retaining clip for grille pin</b>	251-853-696	each	<b>£2.95</b>

FRONT GRILLE KIT

**KIT**

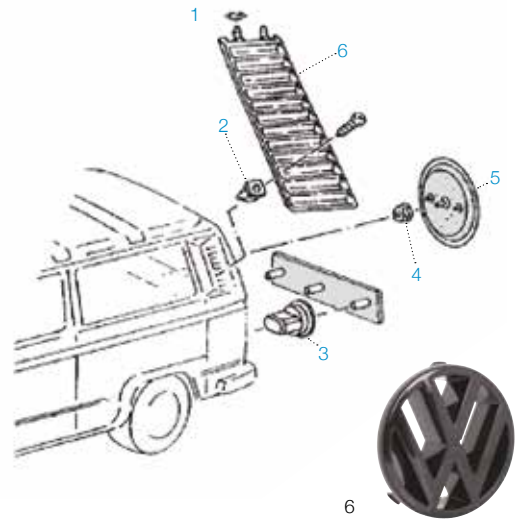


**Front grille kit - twin round lamp**  
South African spec kit including, grille, badge and inner lamps

251-898-001

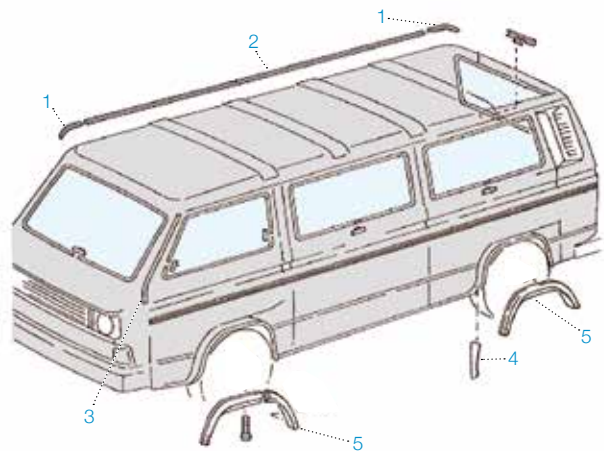
**£272.95**

REAR TRIM



1	<b>Grommet</b>	481-971-915	each	<b>£2.95</b>
2	<b>Expanding nut</b>	251-853-684/A	each	<b>£0.65</b>
3	<b>Grommet</b>	191-853-615/A	each	<b>£0.95</b>
4	<b>Clamping washer</b>	171-853-939	each	<b>£0.20</b>
5	<b>Rear VW badge round 1988&gt;</b>	701-853-601/F	each	<b>£27.95</b>
6	<b>Volkswagen badge</b>	251-853-685/A	each	<b>£37.95</b>

GUTTER AND WHEEL ARCH TRIM



1	<b>Gutter trim - roof corners</b> left front, right rear right front, left rear	251-853-709 251-853-710	each each	<b>£8.25</b> <b>£8.25</b>
2	<b>Gutter trim - roof main part</b> original style supplied per side	251-853-707/D	each	<b>£19.50</b>
3	<b>Gutter trim - A posts</b> left right	251-853-705/1BG 251-853-706/1BG	each each	<b>£16.95</b> <b>£16.95</b>
4	<b>Rear stone guards protective sticker</b> left right	251-853-931/A 251-853-932/A	each each	<b>£9.50</b> <b>£9.50</b>
5	<b>Plastic wheel arch liner</b> protect your bus from rust and damage front left front right rear left rear right	251-809-505 251-809-506 251-809-507 251-809-508	each each each each	<b>£22.95</b> <b>£22.95</b> <b>£22.95</b> <b>£22.95</b>



**MUDFLAPS**



<b>Mud flap kits</b> (pair with hardware)			
front	251-898-010	kit	<b>£59.95</b>
rear	251-898-011	kit	<b>£59.95</b>
<b>Trim Clip for Mudflap</b>	865-853-231/A	each	<b>£1.25</b>

**CAB STEP RUBBER**



<b>Cab step rubber</b>			
left	251-863-735	each	<b>£8.25</b>
right	251-863-736	each	<b>£8.25</b>



**MESH EXTERIOR SUN VISORS**

**UPGRADES & CUSTOM PARTS**



UK supplied, Australian style. Aluminium frame with stainless steel mesh. Drilling is required, screws included.

<b>All years</b>	AC857114	each	<b>£163.95</b>
------------------	----------	------	----------------

**VENTILATION**

**UPGRADES & CUSTOM PARTS**



<b>Wind Deflectors, Smoked Plastic</b>	AC8539756	each	<b>£22.95</b>
--	-----------	------	---------------

**DOOR MIRRORS**



<b>1 Mirror</b>			
left	251-857-513	each	<b>£19.95</b>
right	251-857-514	each	<b>£19.95</b>
<b>Screw for mirror</b>	N03-304-21	each	<b>£0.95</b>
<b>2 Mirror to door base seal</b>	251-857-543	each	<b>£1.50</b>
<b>3 Truck mirror,</b>			
left	251-857-513/F	kit	<b>£105.95</b>
right	251-857-514/F	kit	<b>£105.95</b>

# INTERIOR



## CARPETS

# CARPETS

## 9PCS OR 3PCS

Carpets available in narrow weave and nylon.

### ALL SETS FEATURE:

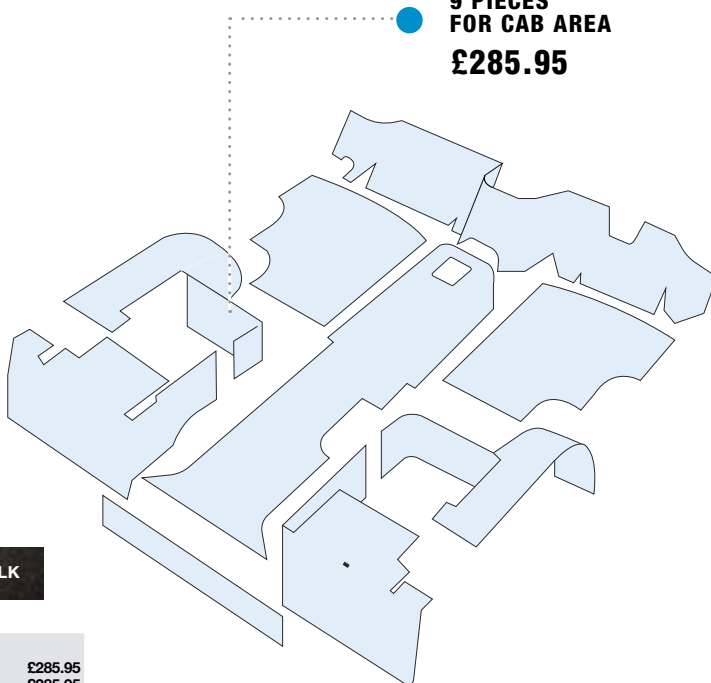
- Factory style fabric bound edges
- Excellent quality narrow weave carpet
- Carpet guaranteed for life against mould and mildew
- Fully detailed fitting instructions
- Load floor area carpets available to order - your measurements will be required.

(Aircooled LHD not available yet)



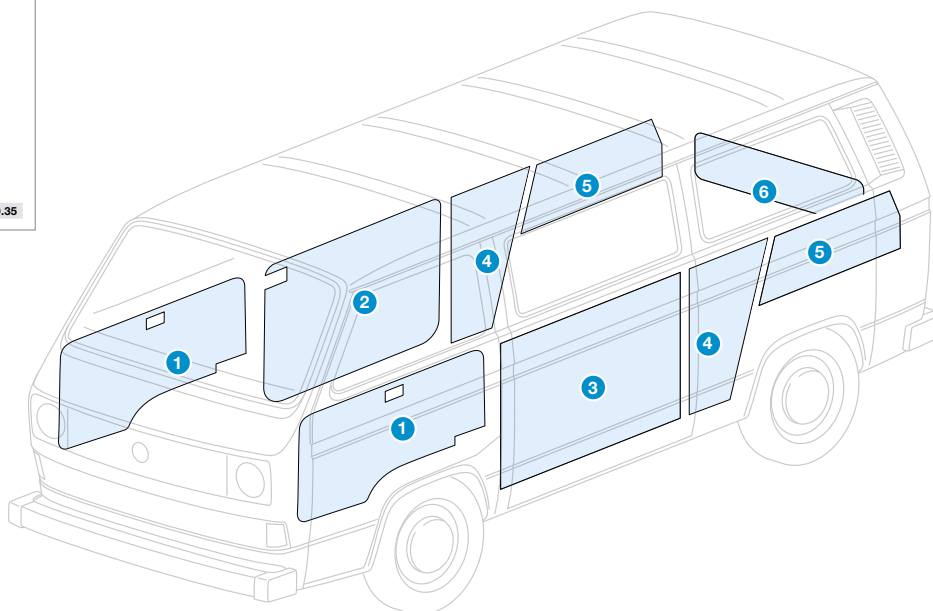
Aircooled petrol - RHD	252-898-002/F	Nylon	set	£285.95
	252-898-002/E	Narrow weave	set	£285.95
Aircooled petrol - RHD	252-898-002/C	Nylon	set	£285.95
	252-898-002/A	Narrow weave	set	£285.95
Diesel - RHD	252-898-002/B	Nylon	set	£285.95
	252-898-002/D	Narrow weave	set	£285.95
Watercooled petrol - LHD	251-898-002/C	Nylon	set	£285.95
	251-898-002/A	Narrow weave	set	£285.95
Diesel - LHD	251-898-002/B	Nylon	set	£285.95
	251-898-002/D	Narrow weave	set	£285.95

9 PIECES FOR CAB AREA  
£285.95



<b>Overmats, 3pcs for cab area, RHD, charcoal</b>	252-898-002/MAT	set	£78.95
LHD Charcoal	251-898-002/MAT	set	£78.95

INTERIOR PANELS



All panels are made to order in the UK due to the wide choice of colours. We have also included an extra value kit price for complete sets of panels.

Our panels are made from 3mm board with 3mm foam padding underneath the vinyl surface in choice of colours which can be found on the inside rear cover of this catalogue. We have listed all our interior trim panels as separate items as different buses have different furniture fitted, so therefore you may only wish to order parts that are visible in your vehicle.

1	Door panels - cab doors, all years	251-867-015/T	pair	£146.00	9 piece interior panel kit, LHD, >7/84	251-898-867/T	kit	£509.90
2	Door panel - sliding door, LHD >7/84	251-867-028/T	each	£84.00	9 piece door panel kit, LHD, 8/84>	251-898-867/A/T	kit	NLA
	Door panel - sliding door, LHD 8/84>	251-867-028/A/T	each	NLA	9 piece door panel kit, RHD, >7/84	252-898-867/T	kit	£509.90
	Door panel - sliding door, RHD >7/84	252-867-028/T	each	£84.00	9 piece door panel kit, RHD, 7/84>	252-898-867/A/T	kit	NLA
	Door panel - sliding door, RHD 8/84>	252-867-028/A/T	each	NLA				
3	Interior panel - opposite sliding door, all	251-867-039/T	each	£99.80				
4	Interior panels - rear 1/4, LHD	251-867-035/T	pair	£89.30				
	Interior panels - rear 1/4, RHD	252-867-035/T	pair	£89.30				
5	Interior panels - sides of luggage area, all	251-867-431/T	pair	£99.80				
6	Interior panel - tailgate	251-867-611/T	each	£84.00	Headliner, deluxe headlining kit	251-867-501	set	£323.40



DIY PANEL KITS

Save some money and get creative by covering these ready cut trim panels.

If you don't fancy our tailored version, or you have a specific material in mind here is what you need. Supplied with holes already drilled for door handles, winders and trim clips.

LHD >7/84	251-898-867/BARE	set	£120.95
LHD 8/84>	251-898-867/A/BARE	set	£117.95
RHD >7/84	252-898-867/BARE	set	£117.95
RHD 8/84>	252-898-867/A/BARE	set	£147.95



STEERING WHEELS



1	<b>Momo Jet</b> , 320mm, black/carbon inserts	WC400MO320JET	each	<b>£187.95</b>
2	<b>Momo Millenium</b> , 350mm, black/Alum	WC400MO350MIL	each	<b>£214.95</b>
	<b>Momo Jet</b> , 350mm, black/carbon	WC400MO350JET	each	<b>£214.95</b>
3	<b>Momo Team</b> , 280mm, black with black centre	WC400MO280TEA	each	<b>£175.95</b>
4	<b>Momo Team</b> , 300mm, black/black anodized centre	WC400MO300TEA	each	<b>£170.95</b>
5	<b>Momo Tuner</b> , 320mm, black/black centre	WC400MO320TUNB	each	<b>£158.95</b>

	<b>Momo Tuner</b> , 350mm, black/black centre	WC400MO350TUNB	each	<b>£199.95</b>
6	<b>Momo Tuner</b> , 320mm Black/Anthracite	WC400MO320TUNC	each	<b>£170.95</b>
	<b>Momo Tuner</b> , 350mm Black/Anthracite	WC400MO350TUNC	each	<b>£161.95</b>
7	<b>Momo Millenium</b> , 320mm black/Alum	WC400MO320MIL	each	<b>£226.95</b>
8	<b>Momo Steering Wheel Boss</b> , T25 All Years, 80-92	WC400MOVSB	each	<b>£58.50</b>

SEAT BELTS



1	<b>Seat Belt Extender (40mm)</b>	111-857-602	kit	<b>£85.00</b>
2	<b>2 Part Inertia Lap Belt</b>	111-857-704/C/BLK	kit	<b>£54.80</b>
	<b>3pt Inertia with stalk</b>	111-857-691/STD/BLK	kit	<b>£47.95</b>
	<b>3pt Static with Stalk Black</b>	111-857-706/C/BLK	kit	<b>£40.96</b>
	<b>3pt rear Inertia with stalk black</b>	111-857-693/C/BLK	kit	<b>£47.95</b>
	<b>3pt Static Modern with stalk</b>	111-857-706/A/BLK	kit	<b>£28.30</b>
3	<b>2pt Static Lap with stalk</b>	111-857-704/C/BLK	kit	<b>£24.13</b>

SEAT COVERS



1	<b>Seat cover set</b> early single seats	251-881-405	set	<b>£319.95</b>
	<b>Seat cover set</b> late single seats	251-881-405/A	set	<b>£319.95</b>
2	<b>Seat cover set</b> Captains chairs	251-881-405/B	set	<b>£359.95</b>
	<b>Suffolk headrest</b> standard seat	251-881-717	each	<b>£74.95</b>

JAIL BAR KITS



Original accessories fitted to Deluxe models to protect the rear seat and windows around the rear luggage area.

1	<b>Rear Seat</b>	211-898-410	kit	<b>£93.95</b>
2	<b>Rear Window</b>	251-898-002	kit	<b>£35.50</b>

SOUND DEADENING

# SOUND DEADENING



**Driving an unpleasantly noisy old VW will become a distant memory once you have installed STP sound deadening.**

Road noise could practically disappear and engine noise can become a thing of the past. Fed up of hearing children screaming while you're camping or want to kiss goodbye to rattles and squeaks? Complete an STP sound proofing install and unlock the luxury within your classic VW.

Originally manufactured for military use, we've cherry picked the best of this self-adhesive sound deadening to offer to VW owners. Whether you need sound deadening for your VW Beetle project, you're wanting to sound proof your Camper conversion, or you're simply looking to improve the acoustics around an in car audio install we have the vehicle sound proofing products for you.

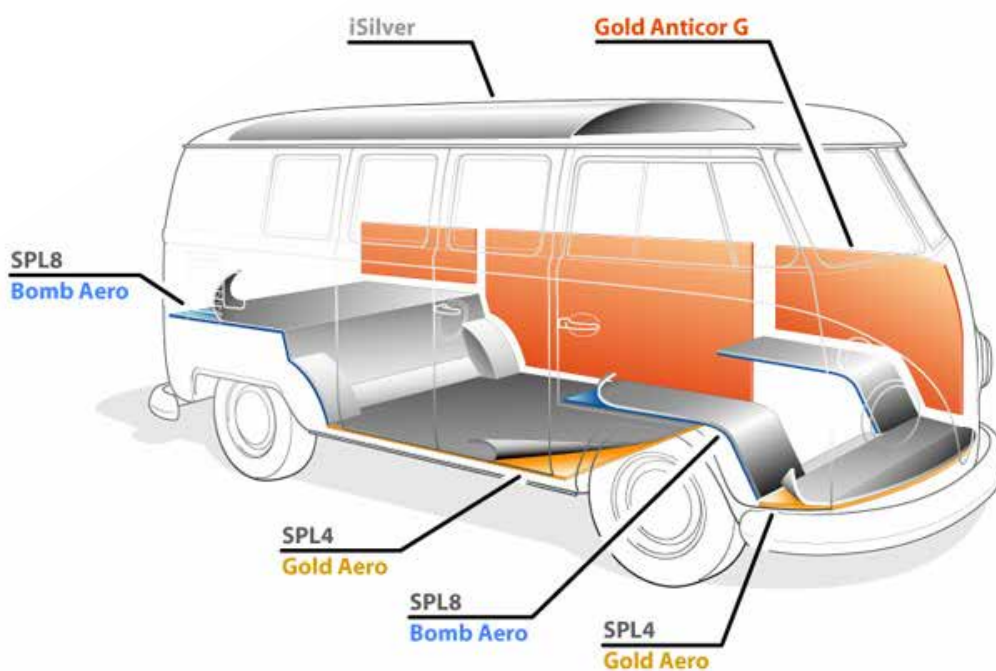
If you require heavy duty vehicle sound deadening, we can help in the form of STP's Bomb Aero. It is a bitumen noise deadening material and is ideal for engine compartments and perfect for reducing in vehicle vibration.

**Want to apply sound proofing to your roof?**

STP iSilver is a light weight, flexible and waterproof sound proofing that will dampen the noise from outside, and is nice and easy DIY job.

**Converting your own VW Campervan and looking to insulate it and apply sound deadening?**

The SPL range, is supplied in 4mm or 8mm thick foam sheets and is a great heat insulator. They can be applied on top of other sound proofing to keep things comfortable and quiet in your Camper!



<b>Sound deadening insulation, STP Bomb Aero,</b> 5 sheets of 75cm x 53cm	STP001	set/5	<b>£131.95</b>	<b>Sound deadening insulation, STP iSilver,</b> 8 sheets of 27cm x 38cm	STP007	set/8	<b>£22.95</b>
<b>Sound deadening insulation, STP Gold Aero,</b> 10 sheets of 75cm x 53cm	STP002	set/10	<b>£128.95</b>	<b>Sound deadening insulation, STP SPL4,</b> 4 sheets of 75cm x 100cm	STP008	set/4	<b>£49.95</b>
<b>Sound deadening insulation, STP Gold Aero,</b> 8 sheets of 27cm x 38cm	STP003	set/8	<b>£44.50</b>	<b>Sound deadening insulation, STP SPL8,</b> 3 sheets of 75cm x 100cm	STP009	set/3	<b>£54.95</b>
<b>Sound deadening insulation, STP Anticor G,</b> 12 sheets of 75cm x 50cm	STP004	set/12	<b>£120.95</b>	<b>Sound deadening insulation, STP SPL4,</b> 16 sheets of 50cm x 37.5cm	STP010	set/16	<b>£49.95</b>
<b>Sound deadening insulation, STP Anticor G,</b> 8 sheets of 38cm x 27cm	STP005	set/8	<b>£33.50</b>	<b>Sound deadening insulation, STP SPL8,</b> 8 sheets of 50cm x 37.5cm	STP011	set/8	<b>£38.95</b>
<b>Sound deadening insulation, STP iSilver,</b> 12 sheets of 750mm x 500mm	STP006	set/12	<b>£105.95</b>				

# ELECTRICAL



## HT LEADS

### HT LEAD SET FOR 1.9 & 2.1 WATERBOXER



Manufactured in the UK to OE standards, **FORST HT Leads** offer a high quality alternative to the Bosch versions.

Using 7mm copper cored silicone with AM resistive spark plug boots, each lead is usefully numbered to help with installation and maintenance.



Forst ignition leads >84	905-QHT-018/F	each	£35.95
Forst ignition leads 84>92	905-QHT-019/F	each	£34.95

**FOLLOW US ON INSTAGRAM @VWHERITAGE**



## ALTERNATOR



1



2



2



3

**Alternator 1600cc aircooled CT engine & 2000cc aircooled CU engine**

45amp	070-903-023/CX	each	<b>£171.95</b>
65amp	070-903-023/BX	each	<b>£182.95</b>

1	<b>Alternator 1.9DG (&amp; DF) 8/82-7/85</b>		
	plug connector 45 amp	060-903-017/AX	each <b>£134.95</b>
	plug connector 65 amp	060-903-017/X	each <b>£134.95</b>

2	<b>Alternator 1.9DG (&amp; DF) 8/85&gt;</b>		
	W-connector 45amp	068-903-017/SX	each <b>£153.95</b>
	bolt terminal 65amp	026-903-017/AX	each <b>£106.95</b>
	bolt terminal 90amp	035-903-017/A	each <b>£328.95</b>

	<b>Alternator 2.1DJ</b>		
	bolt terminal 90amp	035-903-017/A	each <b>£328.95</b>

	<b>Alternator diesel inc turbo</b>		
	>7/81 plug connector 45amp	036-903-017/AX	each <b>£138.95</b>
	8/81-12/85 plug connector 65amp	036-903-017/X	each <b>£161.95</b>
	1/86> W-connector 65amp	068-903-017/MX	each <b>£151.95</b>

3	<b>Alternator belts - petrol</b>		
	aircooled 1600cc CT & 2000cc CU 9.5 x 1175	070-903-137	each <b>£5.95</b>
	1.9 8/82-3/86 with 45A or 65A 10 x 1075	025-903-137	each <b>£7.25</b>
	1.9 & 2.1 8/82-7/92 with 90A 10 x 1100	025-903-137/G	each <b>£7.95</b>

3	<b>Alternator belts - diesel</b>		
	1600cc		
	- 1/81-7/85 45A or 90A alternator 10x600	068-903-137/AF	each <b>£5.25</b>
	- 1/81-7/87 65A alternator 10x600	068-903-137/AF	each <b>£5.25</b>
	- 8/85-7/87 90A alternator 10x617	068-121-039/G	each <b>£5.50</b>
	1700cc		
	- 11/86-9/88 65A alternator 10x600	068-903-137/AF	each <b>£5.25</b>
	- 9/88-7/92 65A alternator 10x875	068-903-137/B	each <b>£5.25</b>
	- 10/86-7/87 90A alternator 10x617	068-121-039/G	each <b>£5.50</b>
	- 8/88-7/92 90A alternator 10x875	068-903-137/B	each <b>£5.25</b>
	1600cc turbo		
	- 8/84-9/88 65A alternator 10x600	068-903-137/AF	each <b>£5.25</b>
	- 9/88-7/92 65A alternator 10x875	068-903-137/B	each <b>£5.25</b>
	- 8/85-7/87 90A alternator 10x617	068-121-039/G	each <b>£5.50</b>
- 8/84-7/85 90A alternator 10x600	068-903-137/AF	each <b>£5.25</b>	

	<b>Power steering belts</b>		
	petrol		
	8/85-7/92 10 x 1075	025-903-137	each <b>£7.25</b>
	diesel 10x740	068-145-271/C	each <b>£4.50</b>

**PLEASE NOTE:**

**Bolt terminal** = 2 main bolt terminals.

**W-connector** = blade terminal for rev counter (in addition to main bolt terminals)

**Plug connector** = 3 terminal blade plug (no bolt terminals)

## STARTER MOTOR



1



2

1	<b>Starter motor manual - petrol</b>		
	>4/81	091-911-023/X	each <b>£101.80</b>
	4/81>12/86	091-911-023/BX	each <b>£102.00</b>
	1/87-7/92	025-911-023/AX	each <b>£149.50</b>
1	<b>Manual - diesel</b>		
	1/81-1/84	068-911-023/JX	each <b>£169.95</b>
	2/84-7/87 1600cc	068-911-023/MX	each <b>£99.95</b>
	10/86-7/92 1700cc	068-911-023/MX	each <b>£99.95</b>
	8/84-12/90 1600cc turbo diesel	068-911-023/MX	each <b>£99.95</b>
2	<b>Automatics</b>		
	>7/81	003-911-023/BX	each <b>£149.95</b>
	8/81-7/92	003-911-023/DX	each <b>£239.95</b>

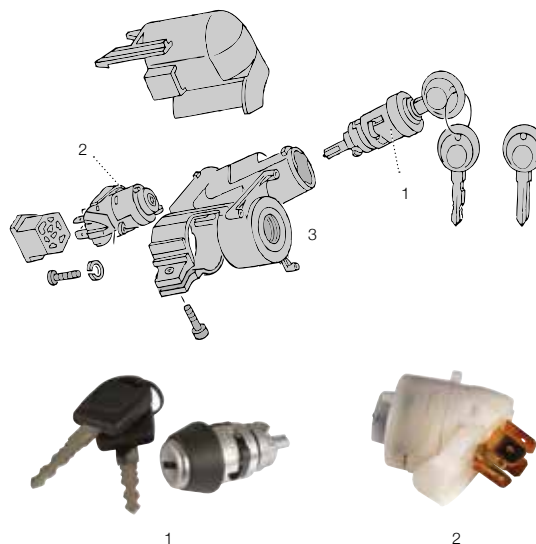
	<b>Starter motor bush</b>		
	Fits in gearbox, manual models.	113-301-155	each <b>£1.60</b>

## FUEL TANK SENDER



1	<b>Fuel tank sender</b>	251-919-051/K	each <b>£50.95</b>
	<b>Seal, Sender to fuel tank</b>	113-919-131/A	each <b>£16.50</b>

## IGNITION SWITCH



1	<b>Ignition barrel with keys, all years</b>	113-905-855/B	each <b>NCA</b>
2	<b>Ignition switch</b>	genuine all years	111-905-865/L each <b>NCA</b>
		repro 1/74	111-905-865/LR each <b>£13.95</b>
3	<b>Steering lock T25</b>	155-905-851	each <b>£14.95</b>

# IGNITION COMPONENTS

## New distributors

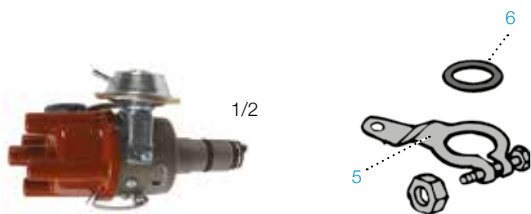
These points distributors are a cheap alternative for some customers and will fit all petrol models. They are supplied with a >7/84 socket cap.

You will not be able to use your original electronic ignition or coil with these but you can use Pertronix ignition products to upgrade the points.

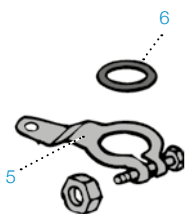
## DISTRIBUTOR PARTS



3



1/2



1	CT 1.6	070-905-205	each	NLA
2	<b>New distributors for O.E. electronic ignition</b> Waterboxer - An exact repro of a 1.9DG distributor. Cap sold seperately	025-905-205/NEW	each	£123.90
	with 009 advance curve	126-905-205/NB	each	£49.96
	with 050 advance curve	126-905-205/050	each	£57.00
	<b>Vacuum advance</b> (with points) reproduction	043-905-205/R	each	NCA
	genuine Bosch	043-905-205	each	£199.95
5	<b>Distributor clamp</b> 2.0 CU Waterboxer	021-905-250 113-905-250	each each	£14.95 £5.00
6	<b>O-ring</b> for distributor shaft	111-905-261	each	£2.00

## DISTRIBUTOR CAPS / POINTS / CONDENSERS



1



2



3



4



5



6

<b>Distributor cap</b> >7/84 socket connection				
	- repro	113-905-207/C	each	£6.00
1	- Bosch black	113-905-207/C/BK	each	NCA
2	8/85>, pin connectors without plastic shield	027-905-207	each	£6.50
3	with plastic shield	027-905-207/A	each	£5.95
<b>Points</b>				
4	All years	059-998-051/B	each	£4.96
	<b>Screw</b> for points	N01-412-12	each	£0.80
	<b>Washer</b> for above	N01-212-12	each	£0.50
<b>5 Condenser</b>				
	original distributors (square plug)	028-905-295/B	each	£5.50
	aftermarket distributors (square/round plug)	311-905-295/C	each	£4.96
<b>6 Rotor arm</b>				
	all excluding below	055-905-225/B	each	£6.10
	2.1 MV, SR, SS	052-905-225/C	each	£5.00
	<b>Rotor arm with rev-limiter</b> All excluding 2.1 MV, SR, SS 5400 rpm cut out	071-905-225/A	each	£10.50

## IGNITION COILS



1



2



3

<b>Ignition coils for points ignition</b>				
	- Bosch - high output	043-905-115/C	each	£24.95
1	- Made in Mexico, no clamp.	043-905-115/C/US	each	£48.30
2	- Made in USA, supplied with clamp. - genuine	043-905-115/C/GEN	each	£27.90
<b>3 For OE electronic ignition</b>				
	- >7/84 socket connector	211-905-115/B	each	£71.40
	- 8/85 pin connector	211-905-115/D	each	£26.00



## HARD START RELAY KIT

UPGRADES  
& CUSTOM PARTS

KIT



## Hard Start Relay Kit

Many supposed starter motor failures are actually down to the wiring at the ignition switch, and not from a problem with the starter itself.

Take the load away from the ignition switch wiring and use it to trigger a relay, which will then direct then full 12v to the starter motor. A great value modification with real world benefits.

1 **Hard Start Relay Kit** AC9112917 each **£16.50**

## IGNITION LEADS



1	<b>Ignition lead sets</b> 1600cc CT - reproduction - Bosch 2000cc CU - Bosch - reproduction 1.9 / 2.1 Waterboxer - >7/84 - 8/84>	905-QHT-015 905-QHT-015/BOSCH 905-QHT-016 905-QHT-016/R 905-QHT-018/F 905-QHT-019/F	each each each each each each	<b>£9.95</b> <b>£52.95</b> <b>£87.95</b> <b>£30.95</b> <b>£35.95</b> <b>£34.50</b>
2	<b>Spark plug/lead connectors</b> 1600cc CT 2000cc CU - long - short 3 Waterboxer	113-035-255/A 021-035-255/B 113-035-255/A 036-035-255/E	each each each each	<b>£1.50</b> <b>NCA</b> <b>£1.50</b> <b>£11.50</b>
	<b>HT lead /tinware seal</b> all aircooled	111-905-449/A	each	<b>£1.95</b>
4	<b>HT lead holder for tinware</b> aircooled engines, 2 leads	113-905-451/A	set	<b>£2.95</b>

## SPARK PLUGS



1

2

3

6	<b>Bosch spark plugs</b> 1600cc CT - short reach plugs - long reach plugs 2000cc CU - hot - cold 1.9 DG, DF - 3 electrode - 1 electrode 2.1 DJ - 8/85-7/87 3 electrode - 8/85-7/92 1 electrode 2.1 MV, SR, SS	W7AC WR7CC/SET WR7CC/SET W8CC W7DTC WR7DC+ W7DTC WR7DC+ WR7CC/SET	each set set each each each each each set	<b>£3.75</b> <b>£12.95</b> <b>£2.95</b> <b>£3.25</b> <b>£15.95</b> <b>£3.25</b> <b>£15.95</b> <b>£12.95</b>
---	--	---	---	--

## ELECTRONIC IGNITION



1

2

1	<b>TCI switch/ignition module</b> - electronic ignition all years	191-905-351/B	each	<b>£52.95</b>
2	<b>Hall sender</b> - electronic ignition	035-998-065	each	<b>£63.95</b>

## IGNITION LEAD - SEPERATORS

UPGRADES  
& CUSTOM PARTS

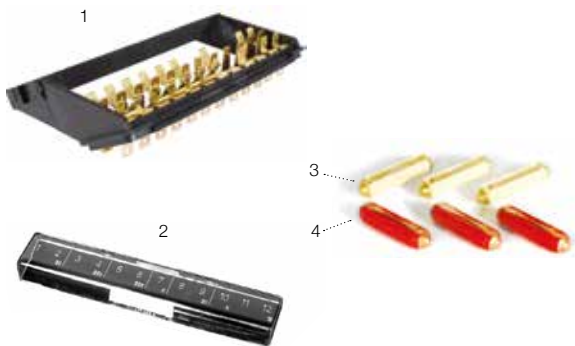
Finishing touch to any engine bay, fits 7mm leads. Supplied in sets of 6 with an allen key.

**Chrome** AC998201 set **£5.95**

## CAR ALARMS

*Sorry we don't deal with these or sell parts for them. Speak to your local car audio shop - they should be able to help.*

MAIN FUSEBOX >1985



There are various other additional smaller fuseboxes depending on the year and model, call if you require one of these.

1	<b>Main fusebox</b> >85 - excluding carat model or diesel > 24-C-200 00 ceramic fuses x 12	111-937-505/M	each	<b>£43.95</b>
2	<b>Fuse cover</b> 12 ceramic fusebox	111-937-555/D	each	<b>£7.95</b>
3	<b>Ceramic fuses</b> 8A white	N01-712-11	each	<b>£0.85</b>
4	16A red	N01-712-14	each	<b>£0.85</b>

UNSURE IF THE PART WE SELL IS THE SAME AS YOURS?

Why not email us a photo so we can double check for you. [sales@vwheritage.com](mailto:sales@vwheritage.com)

MAIN FUSEBOX 1986>

UPGRADES & CUSTOM PARTS



1	<b>Main fuse box</b> 1986> & carat models blade fuse box	171-941-821/D	each	<b>£73.95</b>
2	<b>Blade fuses</b> 10A - red	N01-713-111	each	<b>£0.65</b>
	15A - blue	N01-713-112	each	<b>£0.65</b>
	25A - white	N01-713-114	each	<b>£0.65</b>
	30A - green	N01-713-15	each	<b>£0.65</b>
	20A - yellow	N01-713-7	each	<b>£0.65</b>

UNIVERSAL FUSE BOXES



Supplied with lid, these accept blade style fuses up to a rating of 30 amps.				
1	8 fuse	AC937GE73	each	<b>£17.95</b>
2	6 fuse	AC937GE72	each	<b>£9.50</b>
3	4 fuse	AC937GE71	each	<b>£10.95</b>

RELAYS



	<b>Intermittent wash-wipe relay</b>	321-955-531/A	each	<b>£7.25</b>
	<b>Rear wash wipe relay</b>	191-955-529	each	<b>£16.50</b>
	<b>Flasher relay</b> 4x21W	111-953-227/D	each	<b>£6.75</b>
	<b>Relief relay</b> >24-C-200 000	141-951-253/B	each	<b>£8.50</b>
	<b>Coolant level warning lamp</b> 24-D-000 001>	191-919-376/A	each	<b>£24.95</b>
1	<b>Relief relay</b> 24-D-000 001>	171-906-383	each	<b>£8.95</b>
2	<b>Additional water pump relay</b> turbo diesel	141-951-253/B	each	<b>£8.50</b>
3	<b>Digijet injection relay</b> 2.1DJ	141-951-253/B	each	<b>£8.50</b>
4	<b>Radiator fan relay</b> KY & JX	141-951-253/B	each	<b>£8.50</b>
5	<b>Fog lamp relay</b> >24-B-078 141 24-B-078 142>	141-951-253/B 321-963-141	each each	<b>£8.50</b> <b>NCA</b>
	<b>Fuel pump relay</b> diesel models	191-927-841	each	<b>£7.50</b>
6	<b>Glow plug relay</b>	443-911-261	each	<b>£15.95</b>
7	<b>Horn relay</b>	141-951-253/B	each	<b>£8.50</b>

<b>Relays</b>				
8	no. 3 coolant level light	191-919-376/A	each	<b>£24.95</b>
	no. 5 radiator fan KY & JX	141-951-253/B	each	<b>£8.50</b>
	no. 6 horn	141-951-253/B	each	<b>£8.50</b>
	no. 7 fog lamp	141-951-253/B	each	<b>£8.50</b>
	no. 8 relief relay 40A	4H0-951-253	each	<b>£3.50</b>
	no. 10 intermittent wash-wipe relay	321-955-531/A	each	<b>£7.25</b>
	no. 11 rear wash wipe relay	191-955-529	each	<b>£16.50</b>
9	no. 12 flasher relay 4x21W	111-953-227/D	each	<b>£6.75</b>
	interior light delay	251-919-543	each	<b>£23.95</b>
	idle stabilisation 1.9 DG	141-951-253/B	each	<b>£8.50</b>
	fuel pump 2.1DJ	141-951-253/B	each	<b>£8.50</b>
	glow plug relay	443-911-261	each	<b>£15.95</b>
10	relay 1.9 DF & DG	171-906-383	each	<b>£8.95</b>
	fan motor relay 40A	191-927-841	each	<b>£7.50</b>

## OIL PRESSURE SWITCHES



**Aircooled Engines  
Watercooled Engines**

021-919-081/B **£3.25**



**Red 0.25BAR**  
1 Pin M10x1

028-919-081/D **£4.50**



**Grey 0.9BAR**  
1 Pin M10x1

068-919-081/A **£5.25**



**White 1.8BAR**  
1 Pin M10x1

056-919-081/E **£5.25**



**Black 0.25BAR**  
1 Pin M10x1

068-919-081 **£5.25**



**Oil Pressure Switch Seal**  
Watercooled

N01-381-15 **£0.95**



**Adapter for Oil  
Pressure Switch**  
Waterboxer

025-919-086 **£3.95**



**Seal for Adapter**

N01-384-44 **£0.95**

## TEMPERATURE SENDERS



**Thermal Switch**  
White 2pin 55/65C

035-919-369/C **£5.95**



**Black 1 Pin**  
M10x1

049-919-501 **£5.95**



**Black 2 Pin**  
20mm 6.3mm spades

251-919-501 **£7.50**



**Blue 2 Pin**  
20mm 6.3mm spades

251-919-369 **£5.95**



**Blue 2 Pin**  
20mm 3.6mm spades

025-906-041/A **£17.50**



**Black 2 Pin**  
M12x1.5

025-906-041 **£7.50**



**Retaining Spring**  
For above 20mm senders

032-121-142 **£1.25**



**Seal**  
For 20mm senders

N90-316-802 **£2.25**

## RADIATOR FANS &amp; SWITCHES



1



2



3

1	<b>Radiator fan assembly</b> all	251-959-455/M	each	<b>£101.95</b>
2	<b>Radiator fan switches</b>			
	diesel CS 2 pin 95C-84C (Ch.>24-C-200 000)	191-959-481/B	each	<b>£10.95</b>
	1.9 DF 95C-84C 2pin	191-959-481/B	each	<b>£10.95</b>
	1.9 DG / 1.6D CS 3 pin 95-84/102-91C (Ch. 24-D-000 001-24-E-200 00)	191-959-481/C	each	<b>£19.50</b>
	1.9 DG / 2.1DJ / 1.6D CS & JX 1.7D KY (Ch. 24-F000 001-> 87-76c/92-82c	251-959-481/K	each	<b>£9.75</b>
3	<b>Rubber boot</b> for fan switch			
	2 pin switch	171-959-459	each	<b>£10.95</b>
	3 pin switch	867-972-525/B	each	<b>£4.95</b>

## BATTERY CLAMPS &amp; COVER



1



3



2

1	<b>Battery cover</b> 54/63/64AH batteries	281-915-411/G	each	<b>NCA</b>
2	<b>Battery clamps</b> diesel engines	6X0-959-502	each	<b>£9.50</b>
3	<b>Battery clamp petrol</b>			
	fixed seat	251-915-313	each	<b>£3.95</b>
	rotating seat	251-915-313/A	each	<b>NCA</b>

## HAZARD SWITCHES



1



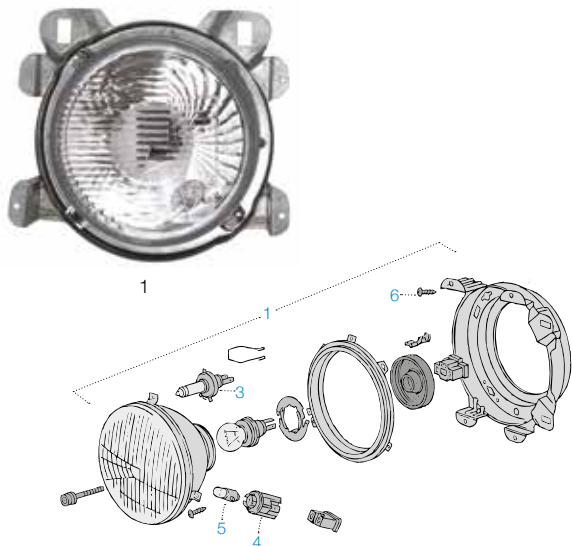
2



3

1	<b>Hazard switch 1980-83</b> 1984>	161-953-235/B	each	<b>£9.75</b>
	standard	171-953-235	each	<b>NLA</b>
	deluxe	171-953-235/A	each	<b>NCA</b>
2	<b>Bulb holder for switches</b>	141-957-397/A	each	<b>£2.95</b>
3	<b>Bulb</b>	N01-775-12	each	<b>£1.50</b>

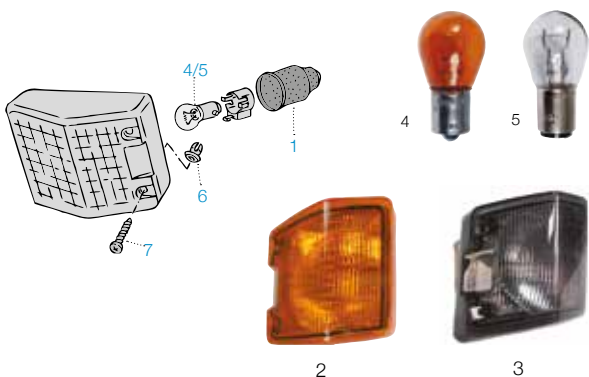
HEADLAMPS



1	<b>Headlamp assembly</b> (uses H4 bulbs)			
	RHD left	252-941-105	each	<b>£48.95</b>
	right	252-941-105/A	each	<b>£48.95</b>
	LHD left	251-941-105	each	<b>£73.50</b>
	right	251-941-105/A	each	<b>£73.50</b>
2	<b>Inner head lamps - round</b> (uses H3 bulbs) for South African spec grilles			
	left	252-941-781	each	<b>£52.95</b>
	right	252-941-782	each	<b>£52.95</b>
3	<b>Headlamp bulb H4 halogen</b>			
	standard bulb	N01-776-32	each	<b>£6.50</b>
	Cobalt Blue	N01-776-32/C	each	<b>£10.95</b>
3A	<b>H3 spot lamp bulb</b>	N01-776-22	each	<b>£3.25</b>

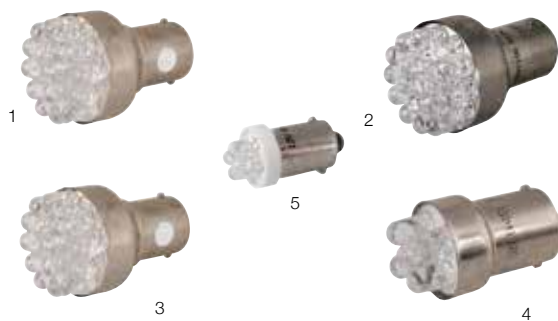
4	<b>Socket for sidelight bulb</b>	533-941-669	each	<b>£4.95</b>
5	<b>Sidelight bulb</b>	N01-771-72	each	<b>£1.25</b>
6	<b>Screw</b>	N01-395-75	each	<b>£1.25</b>
7	<b>Headlamp switch &gt;89</b>	251-941-531/M	each	<b>£29.95</b>
8	<b>Bulb</b> headlamp switch, automatic shift (2 req) fog light switch, hazard switch	N01-775-12	each	<b>£1.50</b>
9	<b>Bulb socket</b> headlamp switch, automatic shift (2 req) fog light switch, hazard switch	141-957-397	each	<b>£2.95</b>
10	<b>Front and rear fog light switch</b>	251-941-535	each	<b>£51.95</b>
11	<b>Headlamp pigtail</b> 3x10 gauge wires, 25cm	AC9412102	pair	<b>£5.25</b>

INDICATORS



1	<b>Boot for indicator</b>	171-953-175/A	each	<b>NCA</b>
2	<b>Indicator unit amber - repro</b>			
	left	251-953-141	each	<b>£15.95</b>
	right	251-953-142	each	<b>£15.95</b>
3	<b>Indicator unit - smoked</b>			
	left	251-953-141/S	each	<b>£13.95</b>
	right	251-953-142/S	each	<b>£13.95</b>
	<b>Indicator units clear</b>	251-953-141/L/R/CL	pair	<b>£44.50</b>
4	<b>Amber indicator bulb</b>	941-VAG-265/AMB	each	<b>£1.50</b>
5	<b>Clear indicator bulb</b>	941-VAG-265	each	<b>£1.25</b>
6	<b>Nut insert</b>	155-905-370	each	<b>£1.50</b>
7	<b>Screw</b>	N03-810-71	each	<b>£0.95</b>

LED BULBS



1	<b>Indicator bulbs</b>			
	12v 21w, clear	941-VAG-265/LED	each	<b>£5.95</b>
	12v 21w, amber	941-VAG-265/AMB/LED	each	<b>£5.95</b>
2	<b>Stop/tail bulbs</b>			
	12v 21w/5w, clear	941-VAG-380/LED	each	<b>£4.95</b>
3	<b>Reverse light bulbs</b>			
	12v 21w, clear	941-VAG-265/LED	each	<b>£5.95</b>
4	<b>Side light bulbs</b>			
	12v, clear	N01-771-72/LED	each	<b>£3.95</b>
5	<b>Number plate light bulbs</b>			
	12v 5w, clear	N01-771-92/LED	each	<b>£9.50</b>

## TAIL LIGHTS

There were 2 different manufacturers used for T25 models by VW. Check which ones you have before ordering as they are not interchangeable. Tail lights do not include the bulb holder or outer frame/reflector.



1	<b>Tail light lens</b> - Hella - left - right custom for Hella fitment - smoked - clear	251-945-111/D 251-945-112/D AC945252 AC945251	each each pair pair	<b>£59.95</b> <b>£59.95</b> <b>£85.95</b> <b>£85.95</b>
2	<b>Tail light lens</b> - ULO left right	251-945-111/H 251-945-112/H	each each	<b>£83.95</b> <b>£83.95</b>
3	<b>Bulb holders</b> - Hella left right	251-945-257/D 251-945-258/D	each each	<b>NLA</b> <b>NLA</b>
4	<b>Bulb holders</b> - ULO left or right	251-945-257/H	each	<b>£34.95</b>
5	<b>Reflector frames</b> left right	255-945-113 255-945-114	each each	<b>NLA</b> <b>NLA</b>
6	<b>Brake light switch</b> 2 pin 3 pin	113-945-515/H 113-945-515/G	each each	<b>£5.25</b> <b>£7.50</b>
7	<b>Protective cover</b> for brake switch 2 pin 3 pin	111-945-521 171-957-911	each each	<b>£8.25</b> <b>£4.50</b>
8	<b>Reversing light switch</b> >8/82 (on nose of gearbox) 8/82> (on side of main gearbox case)	251-941-521 020-945-415/A	each each	<b>£16.50</b> <b>£7.50</b>
	<b>Number plate light</b> (not pick-ups) complete assembly lens	251-943-021/A 251-943-121	each each	<b>NLA</b> <b>£14.95</b>
	<b>Bulb</b> stop and tail	941-VAG-380	each	<b>£1.25</b>
9	<b>Bulb</b> indicator and reverse clear orange	941-VAG-265 941-VAG-265/AMB	each each	<b>£1.25</b> <b>£1.50</b>
10	<b>Screw</b>	N01-393-83	each	<b>£1.25</b>
11	<b>Speed nut</b>	N01-548-41	each	<b>£0.95</b>

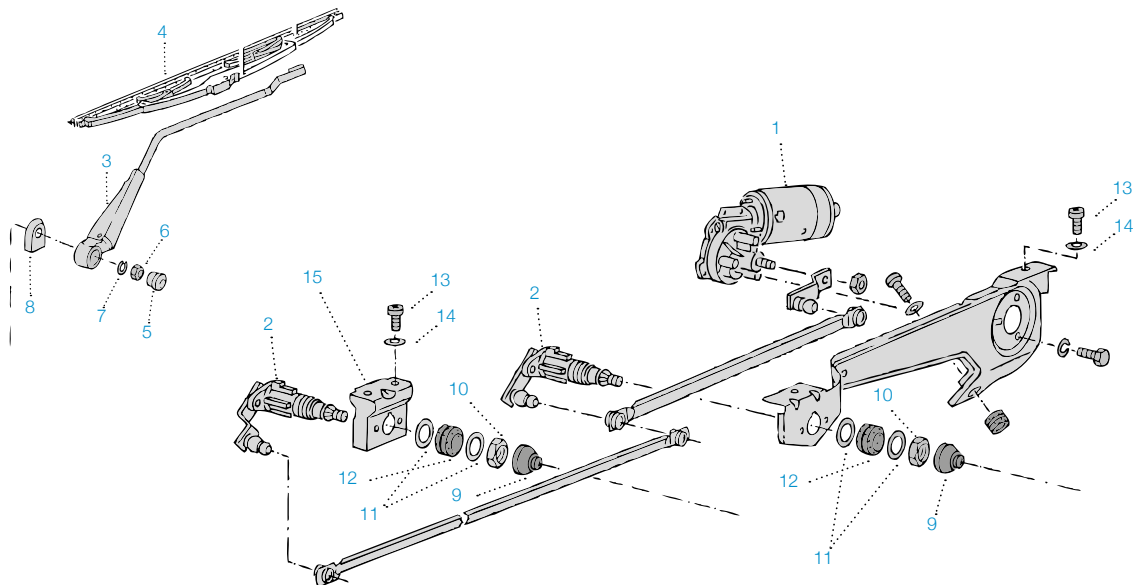


## INTERIOR LIGHT



	<b>Interior light</b>			
1	above cab door	823-947-105/B	each	<b>£8.25</b>
2	sliding door step/boot	331-947-113	each	<b>NLA</b>
3	drivers footwell	171-947-311	each	<b>NLA</b>
4	<b>Bulb</b> for 211-947-111/BB (12v/10w) for 331-947-113 each (12v/5w)	941-VAG-245 N01-772-52	each each	<b>£1.25</b> <b>£1.25</b>
5	<b>Interior light switch</b> all models	113-947-561/H	each	<b>£2.95</b>
	<b>Seal</b> for interior light switch	113-947-565/A	each	<b>£2.95</b>
6	<b>Press for interior light switch</b> on sliding door	251-947-575	each	<b>£1.50</b>

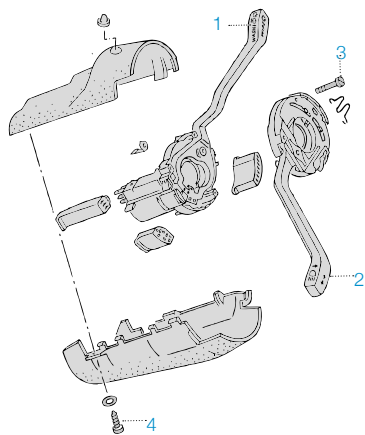
## FRONT WIPER ASSEMBLY



1	<b>Wiper motor front</b>	251-955-119	each	<b>£56.95</b>	
2	<b>Wiper spindles LHD</b>	251-955-215	each	<b>£34.95</b>	
		251-955-216	each	<b>£34.95</b>	
2	<b>Wiper spindles RHD</b>	252-955-215	each	<b>£52.85</b>	
		252-955-216	each	<b>£52.95</b>	
3	<b>Wiper arm front</b>	RHD	252-955-409	each	<b>£23.50</b>
		LHD	251-955-409	each	<b>£28.95</b>
4	<b>Wiper blades front</b> 450mm	191-998-003	pair	<b>£10.95</b>	
5	<b>Cap for wiper arm nut</b>	133-955-435	each	<b>£1.50</b>	
6	<b>Nut</b>	N01-100-624	each	<b>£0.40</b>	

7	<b>Spring washer</b>	N01-222-65	each	<b>£0.95</b>	
8	<b>Spacer ring RHD only</b>	left	252-955-251	each	<b>NCA</b>
		right	252-955-252	each	<b>NCA</b>
9	<b>Cap for wiper spindle</b>	171-955-275	each	<b>£2.50</b>	
10	<b>Nut</b>	7D0-955-243	each	<b>£2.25</b>	
11	<b>Chrome washer</b>	481-955-255	each	<b>NCA</b>	
12	<b>Wiper spindle seal</b>	133-955-261	each	<b>£2.95</b>	
13	<b>Bolt</b>	N01-413-95	each	<b>£1.50</b>	
14	<b>Washer</b>	LHD & RHD	N01-152-423	each	<b>£0.75</b>
15	<b>Retaining plate</b> LHD & RHD	251-955-209	each	<b>£9.75</b>	

## INDICATOR/WIPER SWITCHES



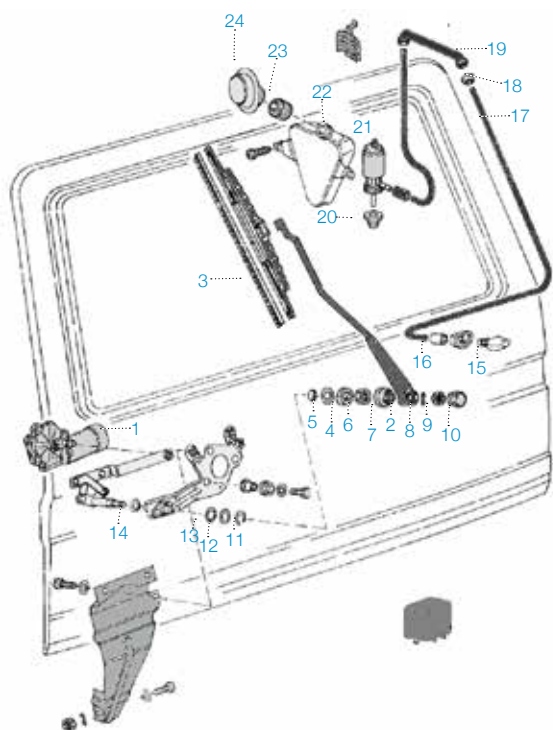
1	<b>Indicator and dip beam switch</b>	251-953-513	each	<b>£30.95</b>
2	<b>Wash/wipe switch</b>	251-953-519/C	each	<b>£31.96</b>
3	<b>Screw</b>	321-953-573	each	<b>£1.50</b>
4	<b>Screw</b>	N01-396-12	each	<b>£1.25</b>

COVER YOUR CLASSIC  
& YOUR DAILY DRIVER

Multi Car policies will save you money.  
Limited mileage, agreed valuation,  
modifications not a problem.

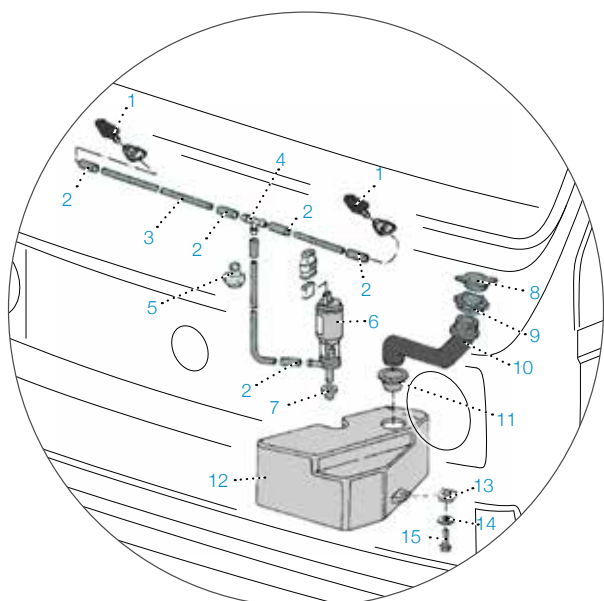
Visit: [www.vwheritage-insurance.com](http://www.vwheritage-insurance.com)

## REAR WIPER ASSEMBLY



1	<b>Wiper motor</b> rear all	251-955-713/A	each	<b>NCA</b>
2	<b>Wiper arm</b> rear all	251-955-707	each	<b>£25.95</b>
3	<b>Wiper blade</b> rear all	161-955-425	each	<b>£6.75</b>
4	<b>Spacer</b> for wipers	171-955-733	each	<b>NCA</b>
5	<b>Rubber washer</b>	191-955-265	each	<b>£1.50</b>
6	<b>Nut</b>	7D0-955-243	each	<b>£2.25</b>
7	<b>Spindle cover</b>	171-955-275	each	<b>£2.50</b>
8	<b>Washer</b>	N01-222-65	each	<b>£0.95</b>
9	<b>Nut</b>	N01-100-624	each	<b>£0.40</b>
10	<b>Cap</b>	133-955-435	each	<b>£1.50</b>
11	<b>Securing ring</b>	481-955-237	each	<b>NLA</b>
12	<b>Washer</b>	171-955-345	each	<b>NCA</b>
13	<b>Seal</b>	171-955-729	each	<b>£0.95</b>
14	<b>Spring washer</b>	171-955-349	each	<b>£0.45</b>
15	<b>Rear washer Jet</b>	211-955-993	each	<b>£6.50</b>
16	<b>Connecting piece</b>	443-955-465	each	<b>£1.95</b>
17	<b>Washer hose</b>	N02-030-11	metre	<b>£4.50</b>
18	<b>Grommet</b>	171-971-913	each	<b>£3.25</b>
19	<b>Tube</b>	251-971-840	each	<b>NCA</b>
20	<b>Seal</b>	443-955-465	each	<b>£1.96</b>
21	<b>Washer pump</b>	431-955-651	each	<b>£8.95</b>
22	<b>Rear washer bottle</b> all excluding carat model	251-955-453/E	each	<b>£30.50</b>
23	<b>Washer bottle cap</b> all excluding carat model	311-955-455/A	each	<b>NCA</b>
24	<b>Washer bottle cover</b> >7/85	211-863-127	each	<b>NCA</b>
25	<b>Rear washer/wipe control relay</b>	191-955-529	each	<b>£16.50</b>

## WINDSCREEN WASHER SYSTEM



1	<b>Washer jet</b>	211-955-993	each	<b>£6.60</b>
2	<b>Washer hose connector</b>	443-955-665	each	<b>£2.25</b>
3	<b>Washer hose</b>	N02-030-11	each	<b>£4.50</b>
4	<b>T-piece</b>	211-955-975	each	<b>£2.95</b>
5	<b>Grommet</b>	311-949-149/B	each	<b>£3.25</b>
6	<b>Washer pump</b> single outlet, twin terminal	431-955-651	each	<b>£8.95</b>
7	<b>Seal</b> for washer pump	443-955-465	each	<b>£1.95</b>
8	<b>Washer fluid cap</b>	251-955-455	each	<b>£3.25</b>
9	<b>Retaining nut</b> for filler neck	251-955-461	each	<b>£1.50</b>
10	<b>Filler neck</b>	251-955-488	each	<b>NCA</b>
11	<b>Seal</b> for washer tank/filler neck	251-955-489	each	<b>£4.50</b>
12	<b>Front washer tank</b> no headlight washers with headlight washers	251-955-453/D 251-955-453/C	each each	<b>NCA</b> <b>NCA</b>
13	<b>Snap nut</b>	N90-168-602	each	<b>£1.50</b>
14	<b>Washer</b>	N01-166-610	each	<b>£0.95</b>
15	<b>Bolt</b>	N01-021-612	each	<b>£1.50</b>
16	<b>Volkswagen screenwash</b> concentrated, lemon scented 1litre	G-052-164-M2	each	<b>£5.95</b>



1



2



6



9



12



16

HEATER FAN PARTS



1	<b>Heater fan switch</b>	171-959-511	each	<b>£8.95</b>
2	<b>Knob</b> for heater switch	321-959-513/B	each	<b>£7.50</b>
3	<b>Heater fan motor</b> all models	251-819-015	each	<b>£33.95</b>

HORN



1	<b>Horn single tone</b> standard	191-951-113/A	each	<b>£16.50</b>
2	<b>Horn contact ring</b> , for steering wheel	321-419-661/A	each	<b>£25.50</b>

AERIALS



1	<b>Single mount aerial - like T25 original</b>			
	chrome	Z05-180-251/C	each	<b>£20.50</b>
	black	Z05-180-251	each	<b>£14.50</b>
2	<b>High angle aerials standard type - USA spec</b>			
	stainless/polished	Z05-180-100	each	<b>NLA</b>
	stainless/black	Z05-153-40	each	<b>NLA</b>
	chrome	Z05-180-200	each	<b>£10.50</b>
3	<b>Side mount aerial, twin mounting post</b>			
	black mounting posts	111-999-900	each	<b>£23.95</b>
	chrome mounting posts	111-999-900/A	each	<b>£21.95</b>

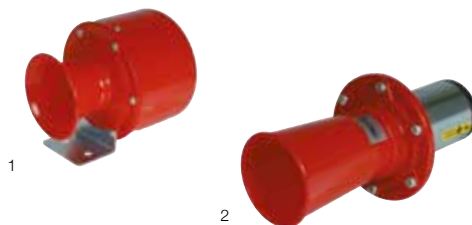
SPEEDO CABLES



1	<b>Speedo cable</b>			
	LHD 83-91	251-957-803/A	each	<b>£22.95</b>
	RHD 8/81-91	252-957-803/A	each	<b>£20.95</b>
	RHD 80-7/81	252-957-803	each	<b>£16.00</b>
2	<b>Seal</b> for speedo cable/stub axle	111-957-855/B	each	<b>£1.95</b>
	<b>Clip</b> for speedo cable (wheel end)	N01-243-42	each	<b>£0.76</b>



NOVELTY HORN



1	<b>Klaxon horns</b> Popular accessory that makes that "Ooo Gar" sound. (Please mount facing down and rearwards, where it won't get too wet.)			
	12 volt	AC951015	each	<b>£33.50</b>
2	<b>Bull horn</b> Makes a sound so similar to the real thing it will attract cows, according to the manufacturer. (mount facing down and rearwards where it won't get too wet.)			
	12 volt	AC951014	each	<b>£33.50</b>

**FREE UK DELIVERY ON ONLINE ORDERS OVER £35**

*\*see website for details*







# CAMPING & LEISURE



## SAFETY EQUIPMENT

### SAFE-T PEDAL, PEDAL LOCK

Highly visible theft deterrent, prevents access to any of the pedals once fitted.

**£118.95**

AC711027



### DAUS FIRE SAFETY SYSTEM

Powder filled automatic fire suppression system.

**£246.95**

AC999E001



SafeTpedal, pedal lock, LHD	AC711026	each	£118.95
SafeTpedal, pedal lock, RHD	AC711027	each	£118.95

SUN CANOPIES



# SSP Sun Canopy

Yellow - £205.95

Orange - £205.95

Campervan awnings are famous from the VW campervans, well known from the hippie days and still so useful for the camping holidays today. Nearly all of our van awnings are drive-away awnings.



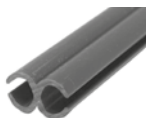
1	SSP, Blue	AC898003	kit	<b>NCA</b>
2	SSP, Silver, domed, small	AC898004	kit	<b>£81.95</b>
3	SSP, Silver, domed, large	AC898005	kit	<b>£96.50</b>
4	SSP, Orange, cotton	AC898001	kit	<b>£205.95</b>
5	SSP, Yellow, cotton	AC898002	kit	<b>£205.95</b>

6	Reimo Capri Space 2 sun canopy	LC0300	each	<b>£188.95</b>
7	Reimo Palm Beach 2.6m sun canopy	LC0301	each	<b>£125.95</b>
	Reimo Palm Beach sidewall 225x180cm	LC0303	each	<b>£70.50</b>
	Reimo Palm Beach 3m sun canopy	LC0302	each	<b>£135.95</b>

AWNING FITTINGS, PARTS & ACCESSORIES



1



2



3



4

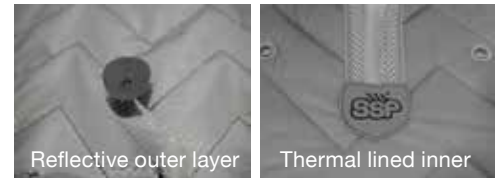
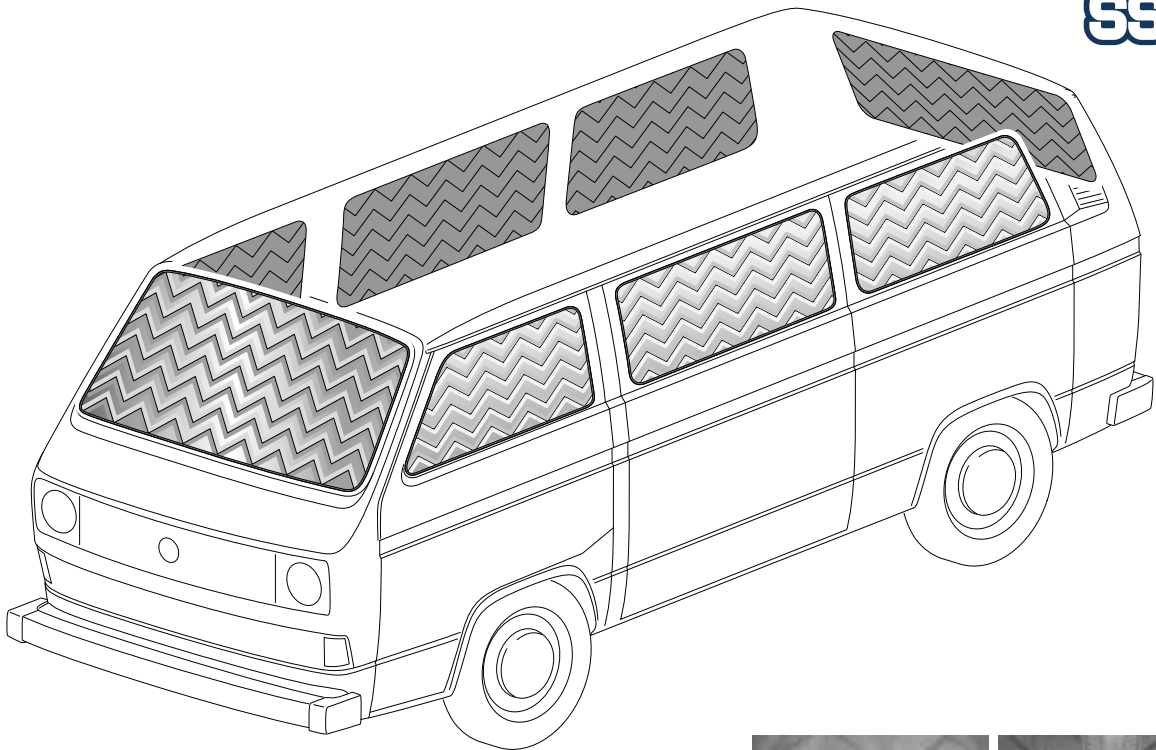


5

1	Suction clamps, sun canopy	AC898006	set 3	<b>£45.50</b>
2	Plastic awning rail, figure of 8, 75cm	LC0400	each	<b>£5.50</b>
3	Awning pole gripper clamps, 21-23mm, pair	LC0401	pair	<b>£4.50</b>
4	Awning to gutter connection pole and gripper set	LC0405	set	<b>£26.95</b>
5	Awning connector set, 6mm/6mm beading	LC0408	set	<b>£19.50</b>
	Awning connector set, 4mm/6mm beading	LC0407	set	<b>£19.50</b>
	Awning to roof magnetic band connector kit	LC0406	kit	<b>£26.95</b>



## SSP THERMO MATS



## SSP Thermo Mats

**Add extra insulation and privacy to your Type 25 with these stylish 5 layer Thermo Mats from SSP.**

They feature a reflective outer layer to keep unwanted light and summer heat out, the mixed fibre layers trap the warmth and stop it escaping through the glass. Perfect for all year round camping use, simply attach to the inside of your windows and you're ready for bed! Supplied with extra chunky suckers; these ones won't break when you go to remove them. **Available as a 3 and 8 piece kit.**

<p>1 <b>Cab only</b>, 3 piece kit      LC3003A      set    <b>£69.50</b></p>	<p>2 <b>Full vehicle</b>, 8 piece kit      LC3003      set    <b>£102.95</b></p>
--	--



WESTFALIA ROOF CANVAS



1 2 3

1 Front window and 2 side windows.

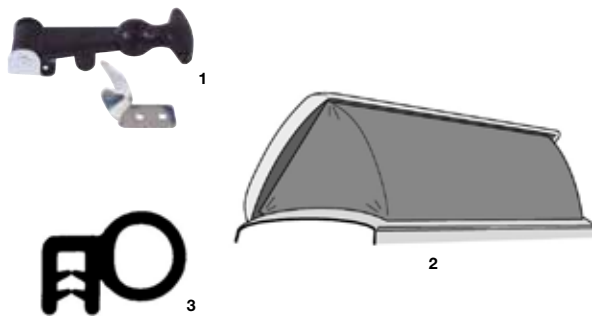
80-4/84,

1	Beige (tan)	251-817-501/B	set	£367.95
2	Grey	251-817-501/G	set	£367.95
3	Yellow	251-817-501/Y	set	£367.95

5/84-90,t

1	Beige (tan)	251-817-502/B	set	£367.95
2	Grey	251-817-502/G	set	£367.95
3	Yellow	251-817-502/Y	set	£367.95

POP TOP PARTS



1	Hold downs, rubber, pair	AC827003	pair	£17.50
2	Pop top seal kit, Moonraker/Viking	211-898-175	kit	£41.95
3	Westfalia roof seal-bottom edge, 7m length	211-817-002	each	£49.95

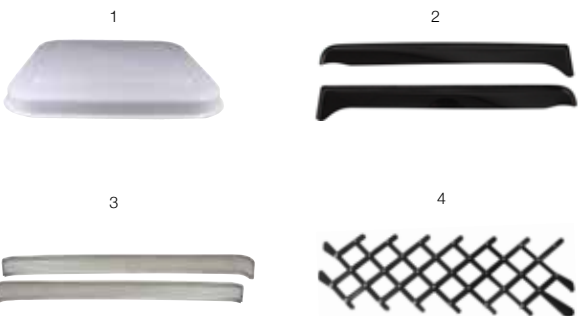


BIKE RACKS AND STORAGE



1

VENTS & WINDOWS



1

2

3

4

4

5

3

6

	<b>Fiamma skylight, 39x39, white with flyscreen</b>	211-817-024	each	£50.50
1	<b>Devon skylight, 47x47, white UV stable</b>	211-817-022	each	£37.96
2	<b>Wind deflectors, smoked</b>	AC8539756	each	£22.95
3	<b>Retro Fresh air grille/mesh for window</b>	WC898837	each	£16.95
4	<b>Mesh door window vents, pair</b>	AC8539755	pair	£130.95

1	<b>Fiamma bike rack</b>	LC6201	each	£178.95
2	<b>Fiamma Bike Block Pro 2</b>	LC6211	each	£14.95
3	<b>Fiamma cable lock, for bike rack, 2.5m</b>	LC6219	each	£20.50
4	<b>Fiamma bike block frame adapter</b>	LC6216	each	£25.95
5	<b>Fiamma Rail Quick 128, for carry-bike</b>	LC6220	each	£25.95
6	<b>Roof bag, Westfalia style</b>	AC898009	each	NCA

CAR COVERS



1



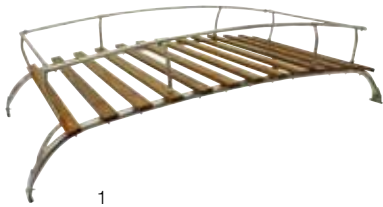
2



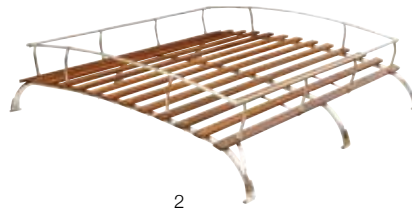
2

1 <b>Deluxe silver coated</b> , high top, adjustable height, 6 air vents	AC8986401	each	<b>£141.95</b>	3 <b>Deluxe silver coated</b> , flat top, 6 air vents	AC8986402	each	<b>£107.95</b>
2 <b>Poptop deluxe</b>	AC8986409	each	<b>£184.95</b>				

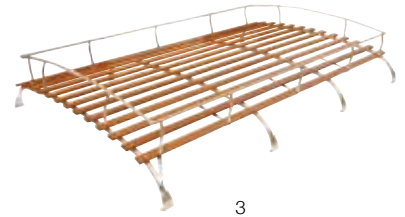
ROOF RACKS



1



2



3

1 <b>2 bow stainless</b> , hard wood varnished slats	AC898025	each	<b>£435.95</b>	3 <b>4 bow stainless</b> , hard wood varnished slats	AC898045	each	<b>£702.95</b>
2 <b>3 bow stainless</b> , hard wood varnished slats	AC898035	each	<b>£559.95</b>				

ROOF BARS



1



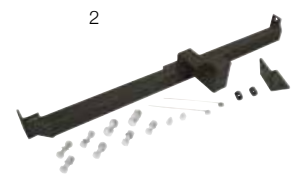
2

1 <b>Roof bars</b> , 1.60m long, pair	AC871V160	pair	<b>£43.95</b>
<b>Roof bars</b> , 35mmx35mm, heavy duty, pair	AC871800	pair	<b>£147.95</b>
2 <b>End pieces</b> , short roof bar, set of 4	AC871VS	set 4	<b>£60.95</b>
<b>End pieces</b> , tall roof bar, set of 4	AC871VL	set 4	<b>£96.95</b>

TOWING & LEVELLING EQUIPMENT



1



2



3

1 <b>Tow ball</b> , 50mm, with cover	AC000300	each	<b>£13.95</b>
2 <b>Tow bar bracket kit</b> , 79-92 (metal bumper)	AC000321	kit	<b>£172.95</b>
89-92 (plastic bumper)	AC000336	kit	<b>£186.95</b>
<b>Tow bar electric kit</b> , 12v	AC000399	kit	<b>£16.50</b>
3 <b>Fiamma level up kit</b>	LC7000	kit	<b>£33.95</b>

INTERIOR HEATING



**PROPEX HS2000 GAS POWERED INTERIOR HEATING KIT**

- Compact design • DIY fit • Thermostatically operated to keep desired temp. • Fitting kits available for Camping Gaz, Butane or Propane Calorgas bottles • Runs straight off 12volt battery • Top quality • Made in UK.

AC819000

£479.95



3



4



5



6

1	<b>Propex Heatsource HS2000</b> 12v heater kit	AC819000	each	£479.95
	<b>Butane Camping Gaz fitting kit</b>	AC819002	each	£23.95
	<b>Propane Calorgas fitting kit</b>	AC819003	each	£23.95
	<b>Vehicle in motion bracket</b> , allows use whilst travelling	AC819004	each	£39.95
	<b>Extra heat vent kit</b>	AC819005	each	£38.95
	<b>Open/Close vent</b>	AC819006	each	£19.95
	<b>Y branch adapter</b>	AC819007	each	£13.95
	<b>60mm Caraflex hot air ducting</b> , per metre	AC819008	per m	£16.95
3	<b>Gas bottle holder</b>	AC819020	each	£9.75
4	<b>Butane gas regulator</b> , for Calor 4.5kg bottle	AC819021	each	£7.25
5	<b>Butane gas regulator</b> , for camping Gaz 901, 904 or 907 bottle	AC819022	each	£7.25
6	<b>Propane gas regulator</b> , for Calor bottle	AC819023	each	£7.25



**BUTANE CALOR GAS FITTING KIT**



- Compact design • DIY fit • Thermostatically operated to keep desired temp. • Fitting kits available for Camping Gaz, Butane or Propane Calorgas bottles • Runs straight off 12volt battery • Top quality • Made in UK.

**Butane Calorgas fitting kit** AC819001 each £23.95







## COOLMATIC CRX50 FRIDGE/FREEZER

Premium built-in compressor refrigerator in a stainless steel look classic design.

LC1210

**£534.95**

### FEATURES INCLUDE:

- 3-in-1 removable freezer compartment: cooling, freezing or both at the same time
- Intelligent electronics; up to 25% less energy consumption
- Perfect temperature control due to new designed soft touch control panel
- Bright LED light with infrared sensor
- Door lock with dual function (locking / ventilation)
- Bevelled edge on the backside for optimal utilisation of space on board
- Standard or flush-mount installation frame available as accessory
- 230 - volt connection with low-priced mains adapter



### WAECO FIXTURES

### WAECO DRAWER FRIDGE



1



2

- |   |                                       |        |      |               |
|---|---------------------------------------|--------|------|---------------|
| 1 | Waeco standard fitting frame for CR50 | LC1220 | each | <b>£26.95</b> |
| 2 | Waeco flush fitting frame for CR50    | LC1221 | each | <b>£52.95</b> |



1

- |   |  |        |      |                |
|---|--|--------|------|----------------|
| 1 | Waeco Coolmatic CD30 Compressor Drawer | LC1210 | each | <b>£534.95</b> |
|---|--|--------|------|----------------|

SINKS, COOKERS & OVENS



**SMEV SINK /HOB COMBI**

Twin burner, sink on right

**LC1003**

**£324.95**



1



2



3



4

1	Smev sink/hob combi, two burner, sink on left	LC1002	each	£324.95	3	Smev sink/hob combi, two burner, sink on right	LC1001	each	£324.95
2	Smev sink, with lid	LC1100	each	£95.95	4	Smev hob, two burner with lid	LC1010	each	£162.95

**COVER YOUR CLASSIC & YOUR DAILY DRIVER**

Multi Car polices will save you money.  
Limited mileage, agreed valuation,  
modifications not a problem.

Visit: [www.vwheritage-insurance.com](http://www.vwheritage-insurance.com)



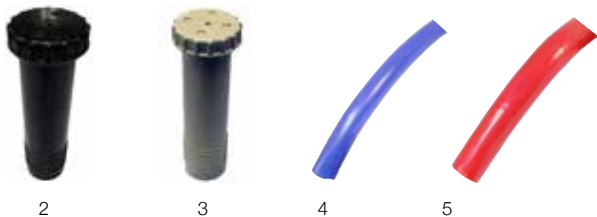
**SMEV 20 LITRE OVEN/GRILL (2016 MODEL)**

Dometic Smev stainless steel 20 litre gas oven/grill with built in rotary plate.

**LC1050**

**£432.95**

TAPS & WATER SUPPLY



1	<b>Comet Florenz fold down hot/cold mixer tap, chrome</b>	LC1121	each	<b>£53.95</b>
	<b>Comet Florenz fold down cold tap, chrome</b>	LC1120	each	<b>£53.95</b>
2	<b>Filler tube &amp; cap for Westfalia water tank, Black</b>	231-867-120/B	each	<b>£22.95</b>
3	<b>Filler tube &amp; cap for Westfalia water tank, Grey</b>	231-867-120/G	each	<b>£22.95</b>
	<b>Filler tube &amp; cap for Westfalia water tank, White</b>	231-867-120/W	each	<b>£22.95</b>
	<b>Reinforced water hose, 1/2 inch, Blue</b>	LC1131	per/ m	<b>£2.95</b>
	<b>Reinforced water hose, 1/2 inch, Red</b>	LC1132	per/ m	<b>£2.95</b>
6	<b>Water fill up hose, 2m with tap connector</b>	LC1130	each	<b>£6.50</b>

ELECTRICAL



1	<b>Discarnect battery cut off device</b>	RB1000.01	kit	<b>£20.50</b>
2	<b>Quick release battery terminal, pair with coloured cover</b>	AC971382	Pair	<b>£9.50</b>
3	<b>Cigarette lighter and socket, Genuine VW</b>	211-919-305	each	<b>£12.95</b>
4	<b>Battery cut-off switch</b>	AC971005	each	<b>£14.95</b>
	<b>Battery cut-off</b>	RB1000.01	each	<b>£20.50</b>
	<b>Battery earth strap, 12" to 14" long</b>	443-971-235/D	each	<b>£12.95</b>
5	<b>Battery earth strap, 10" long</b>	443-971-235/D/S	each	<b>NCA</b>
6	<b>Conversion lead, UK mains hook up adapter, 13 amp plug</b>	LC2110	each	<b>£6.50</b>

7	<b>Continental mains hook up adapter</b>	LC2111	each	<b>£6.50</b>
8	<b>UK mains hook up adapter</b>	LC2112	each	<b>£6.50</b>
9	<b>Electric hook up cable, 10m</b>	LC2100	each	<b>£21.95</b>
	<b>Electric hook up cable, 25m</b>	LC2101	each	<b>£35.95</b>
	<b>Hook up inlet, flush fit, straight</b>			
10	White	LC2120	each	<b>£21.95</b>
11	Black	LC2121	each	<b>£21.95</b>
	<b>Hook up inlet, flush fit, angled</b>			
12	White	LC2122	each	<b>£24.95</b>
	Black	LC2123	each	<b>£24.95</b>

**FOLLOW US ON TWITTER @VWHERITAGE**



**SPLIT CHARGING KIT**



**Split charge relay kit**

Designed to provide an easy way to connect an additional battery for vehicles with big stereos or camping accessories/leisure batteries etc.

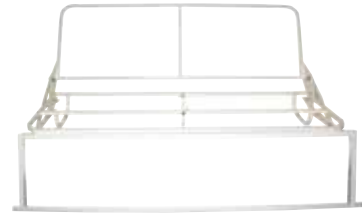
Protects the main engine battery from being run flat, thereby ensuring the vehicle can always be started.

The second battery is charged whilst the engine is running, but disconnected from the original battery when the engine is switched off. Supplied with instructions, loom, & terminals.

Universal	AC998TW40	kit	<b>£79.95</b>
-----------	-----------	-----	---------------



**ROCK AND ROLL BEDS**



1



2



3

<b>1 Rock &amp; roll bed frame</b>			
A complete full width frame assembly.	211-898-562	each	<b>£312.95</b>
<b>2 Rock and roll bed hinges</b>			
These allow a bench seat to convert into a double bed.	211-898-561	pair	<b>£74.95</b>
<b>3 Z bed hinges</b>	211-898-453	kit	<b>£226.95</b>

**OVER CAB BUNK**



1



2

<b>1 Childs bunk, over cab, brown canvas</b>	251-898-565	each	<b>£61.50</b>
<b>2 Fitting kit, childs bunk adjustable</b>	211-898-569	kit	<b>£10.96</b>

**CURTAIN CLOTH**



1 Brown	231-000-028	per/m	<b>£36.95</b>
2 Green	231-000-025	per/m	<b>£36.95</b>
3 Yellow	231-000-026	per/m	<b>£36.95</b>
4 Orange	231-000-027	per/m	<b>£36.95</b>
5 White, brown and yellow chequered	231-000-033	per/m	<b>£36.95</b>

# TOOLS & CONSUMABLES



## CAR CLEANING

### THE ART OF DETAILING...

If the appearance of your Volkswagen is something you take seriously then Auto Finesse is the product range for you.

Whether you're searching for a special wax, want to bring faded plastic trim back to life, or just need some new shampoo for a weekend clean up; we have it all.

Stylishly packaged and scented for your pleasure, treat your Volkswagen to Auto Finesse – you won't regret it!

**FOR COMPLETE RANGE OF AUTO FINESSE PRODUCTS PLEASE VISIT [VWHERITAGE.COM](http://VWHERITAGE.COM)**



<b>Auto Finesse</b> Citrus Power Bug & Grime Remover, 1L	AF000001	each	£9.95	<b>Auto Finesse</b> Crystal Glass Cleaner 500ml	AF000006	each	£16.95
<b>Auto Finesse</b> Lather Car Shampoo, 500ml	AF000002	each	£11.95	<b>Auto Finesse</b> Essence Carnauba Wax 200ml	AF000007	each	£44.95
<b>Auto Finesse</b> Finale Quick Detailer, 500ml	AF000003	each	£9.95	<b>Auto Finesse</b> Total interior cleaner 500ml	AF000008	each	£8.95
<b>Auto Finesse</b> Tripple Polish 500ml	AF000004	each	£12.95	<b>Auto Finesse</b> Mint Rims Wax & Sealant, 100ml	AF000009	each	£20.50
<b>Auto Finesse</b> Glisten Spray Wax, 500ml	AF000005	each	£11.95	<b>Auto Finesse</b> Mercury Metal Polish 100ml	AF000010	each	£9.95

OIL AND FLUIDS

Oil is the lifeblood of your engine, using good quality oil will give your engine the best chance for a long and healthy life.

However, not all oils are the same, not all high quality oils are right for your beloved air-cooled unit, and there is a lot of myth regarding which is the correct type to use. You have 2 choices, use what VW currently recommends; a good quality multi-grade mineral oil such as SAE15W-40 or for the traditionalist who prefers to stay with SAE 30, we stock the high quality 'Morris' brand, one of the best mono-grades about.

For water-cooled engines 15W40 or 10W40 is fine. Thicker oil like 20w50 oil should be avoided in all Type 25 engines. There are those who claim that multi-grade oil breaks down at the high oil temperatures that the air-cooled unit runs at. We disagree – if your engine is operating at temperatures that break down the oil, then your engine is running far too hot! You need to reduce the oil temperature, not use a different specification oil.

<b>Coolant VW G13</b> , 1.5 litre	G-012-A8G-M1	each	<b>£9.90</b>
<b>Volkswagen Quantum engine oil</b> 10w40 Synta (semi-synthetic) 5 litres	ZGB-115-QLB/S	each	<b>NCA</b>
<b>Volkswagen screen wash</b> concentrated, lemon scented 1 litre	G-052-164-M2	each	<b>£5.95</b>
<b>Morris Servol mineral oil</b> 15W 40 mineral	ML-004	each	<b>£24.50</b>
<b>Morris Servol semi synthetic oil</b> 10W40 5 litres	ML-005	each	<b>£31.50</b>
<b>Lodexol gearbox oil 80W90</b> 1 litres	ML-007	each	<b>£9.75</b>
5 litres	ML-006	each	<b>£26.95</b>
<b>Brake fluid DOT4</b> 500ml	ML-009	each	<b>£9.50</b>
1 litres	ML-008	each	<b>£12.50</b>
<b>Carb cleaner</b> 400ml aerosol	ML-011	each	<b>£8.25</b>
<b>MD4 penetrating spray</b> 400ml aerosol	ML-012	each	<b>£5.50</b>
<b>Pavan, degreaser (not for plastic items)</b> 400ml aerosol	ML-013	each	<b>£5.95</b>
<b>Brake cleaner (solvent cleaner)</b> 400ml aerosol	ML-014	each	<b>£5.95</b>
<b>Prima (silicon spray)</b> 400ml aerosol	ML-015	each	<b>£7.50</b>

**VW QUANTUM ENGINE OIL**

10w40 Synta (semi-synthetic) 5 litres

ZGB-115-QLB/S

**£30.50**

**MORRIS LUBRICANTS GOLDEN FILM OIL**

SAE 30, 5 litres

ML001

**£22.96**



# USEFUL TOOLS

## Engine tools, hand tools & Miscellaneous

### ENGINE TOOLS



**Distributor drive puller**  
Removes driveshafts with ease. Not for diesel engines.

AC000115 £37.50



**Oil piston puller**  
Removes seized pressure relief valve pistons. Not for diesel engines.

AC000117 £33.95



**Crankcase splitter**  
Helps free difficult cases. Fits into oil pump aperture. Not for diesel engines.

AC000121 £17.95



**Oil pump puller**  
Easy to use, stops pump or engine case damage. Not for diesel engines.

AC000112 £8.95



**Crank gear puller**  
When using this tool heat should still be applied to the gears. Not for diesel engines.

AC000132 £62.50

### HAND TOOLS



**Trim removal tool**  
10 in 1 tool for the removal of trimstrips, headlamp springs and badges

LT-2373 £15.95



**Tin snips**  
For straight or right hand cuts, 10".

LT-1458 £23.50



**Wheel brace**  
Telescopic. For 17/19mm wheel bolts/nuts

LT-0591 £18.95



**Helping hand tool**  
Helps steady drums or flywheels whilst loosening stubborn nuts.

AC000145 £27.95



**Valve grinding sticks**  
- set of 2. With 4 sizes of suction cup.

LT-3524 £11.95

### MISCELLANEOUS



**Engine dolly - H/D construction**  
mounted on castors for easy mobility. Not for Diesel engines.

AC0005005 £50.95



**Universal flywheel lock**  
Fits 6v and 12v flywheels. Not for diesel engines.

AC000111 £9.95



**Cam follower clips**  
Holds followers in correct position. Not for diesel engines.

AC000113 (pair) £8.50



**Gearbox drain plug socket\***  
Fits 3/8" drive ratchet.

AC000114 £5.25



**Gearbox drain plug wrench\***  
19mm

AC0005788 £11.95



**Cylinder head assembly tool**  
For CT engines only.

AC000129 £52.50



**Adjustable push rod**  
Used for setting correct valve geometry on uprated engines. Not for diesel engines.

AC000119 £21.95



**Splined socket**  
For C.V. joint bolts. Fits 3/8" drive.

AC000135 £10.50



**Deluxe flywheel seal installation tool**  
1600 CT only. Does not require the dowel pins to be removed.

AC000150 £38.95



**Jack - genuine VW**  
Fits standard jacking point

111-011-031/E £62.95





**Axle nut tool**  
Eases the removal of stubborn nuts. Apply pressure with a ratchet or bar and hit with a hammer.

46mm AC000131 **£11.95**



**End float tool**  
Use this to set flywheel end float. For use with feeler gauges. Not for diesel engines.

AC000125 **£19.95**



**Engine assembly lube**  
Positive protection against scuffing & scoring on initial fire up after a rebuild. 2oz tube.

AC0000158 **£11.95**



**Drill bit for valve guides**  
Used for replacing old valve guides in cylinder heads. Not for Diesel engines.

AC0007005 **NCA**



**Chamber volume**  
Measures combustion chamber capacity. Three colour coded plexi glass discs to fit most bore sizes supplied with a syringe.

AC000137 **£25.50**



**Clutch alignment tool**  
A must for any mechanic. T25 Petrol

AC0005335 **£5.25**



**Ball joint separator** - Scissor type, Also works on track rod ends.

LT-0282 **£31.50**



**Flexi funnel**  
Ideal for aircooled engine bays.

LT-1011 **£5.95**



**Gasgacinch gasket sealer**  
Extremely good sealer for every purpose. 4 oz can with a brush in the lid.

AC0005124 **£10.95**



**Feeler gauges**  
32 piece, metric and imperial blades. Ideal for tappets, points & spark plugs

LT-2481 **£10.95**



**Brake spring removal tool**  
for drum brakes. To align pins, springs and cap washers

LT-2704 **£11.95**



**Eezibleed - Brake bleeding tool**  
Uses tyre pressure makes bleeding a 1 person job

LT-4062 **£24.50**



**Oil suction gun**  
ideal for filling gearboxes

LT-3094 **£17.95**



**Airflow meter**  
Use this to balance twin carburettor set ups. Very accurate and easy to use.

AC000124 **£39.95**



**Starter motor bush puller**  
Makes this awkward job easy.

AC0007062 **£73.50**



**Track-Right gauge**  
Drive over tracking system, simple to use

LT-3008 **£65.95**



**Eezilap - Brake bleeding tool**  
Attaches to electric drill

LT-4095 **£54.95**



**Exhaust gas tester**  
A digital gauge for measuring exhaust C.O level, accurate to 0.5%

LT-4125 **£131.95**

BOOKS



**Haynes Manual, T25 Bus, Waterboxer**

Service and repair manual, VW Transporters with water-cooled petrol engines 1.9 litre (1913cc) and 2.1 litre (2109cc) and body styles of van, pickup and minibus (Caravelle).

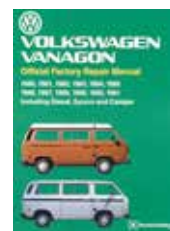
000-100-065 **£22.00**



**Haynes Manual, T25 Bus 79-82, Aircooled 1.6 & 2.0**

Owners workshop manual, covers air-cooled flat four engines 1584cc and 1970cc. Neither diesel or watercooled engines are covered.

000-100-073 **£27.80**



**Bentley Manuals**

By Bentley Publishing. Probably the most detailed manuals available. Based on VW's own manuals. Written for the USA, so some details may vary. Paperback.

000-100-066 **£105.50**

## INDEX

A Pillar	63	Electric ignition	81	Mesh sun visors	73	Steering wheels	76
Accelerator cable	55	Engine bay seal	12	Mirrors	73	Step rubber	73
Accelerator pedal	55	Engine gaskets	12,18	Mud flaps	73	Sump plug	16,29
Aerials	88	Engine mounts	36	Number plate lamp	85	Sun canopy	91
Air filter	15,21	Engine parts CT	Please see website	Oil	103	Sunvisors	73
Airflow meter	105	Engine parts CU/CV	12-17	Oil cooler	14,29	Suspension bushes	44,45,48
Alloy Wheels	53	Engine parts Diesel	28-31	Oil filler cap	16,20	Suspension kits	49
Alternator	79	Engine parts WBX	18-27	Oil filter	16,20,29	Tail lights	84
Anti roll bar mount	45	Exhaust	39-43	Oil pressure switch	83	Tailgate	70
Awnings	92	Expansion tank	27	Oil pump	16,20,28	Tailgate lock	70
Ball joint	45	Fire extinguisher	90	Oil strainer	16,20	Tailgate seal	70
Barrel and piston kits	12,18	Fridge	98	Outer sill	62	Tailpipe	39-42
Battery Accessories	100	Front grille	72	Outriggers	62	Taps	100
Battery clamps	83	Front panel	63	Pedal lock	90	Temperature senders	83
Battery tray	63	Front wheel housing	63	Pedal rubber	54,56	Temperature sensor	83
Bearings	12,20,28	Fuel Filter	15,21,30	Piston rings	12,18	Thermo mats	93
Bike rack	94	Fuel pump	15,21	Pistons and cylinders	12,18	Thermal switch	83
Books	105	Fuel tanks	38	Points	80	Thermostat	12,25,26
Brake disc	50	Fuel tank sender	79	Power steering	46	Tie rod	47
Brake drum	51	Fusebox and fuses	82	Propex	96	Tools	104,105
Brake fluid	103	Gasket kit	18	Pushrod	12	Tow bar	95
Brake light switch	85	Gear lever	58	Pushrod tubes	12,18	Track cover	64
Brake pad set	50	Gear selector parts	54,58	Quarter light	68	Trim panels	74
Brake pedal rubber	54	Gear shifter boot	58	Quick shift kit	58	Vacuum hoses	16
Brake pipe	51,52	Gearbox mount	36	Radiator	26	Valves	12,18,30
Brake pressure	62	Gearbox parts	34	Radiator fan parts	83	VW badge	72
Brake shoes	51	Gearboxes	35	Raptor	60	Wash wipe switch	86
Bulb holders	84,85	Glass	71	Rear washer	87	Washer bottle cap	87
Bumper	61	Glow plugs	81	Rear wheel cylinders	51	Washer jet	87
Bumpstop	45,48	Gutter trim	72	Relays	82	Washer pump	25,26
Caliper	50	Hall sender	81	Reverse light switch	85	Washer tank	87
Cambelt	30	Handbrake cable	57	Rocker cover	12,19	Water hose	22,23,24,31
Camshaft	12	Handbrake parts	57	Rocker cover gasket	12,19,28	Water pump	25,26
Carburetors	17,19	Hazard switch	83	Rocker shaft	18	Wheel arch	63,64
Car cleaning	102	Header tank	27	Rock 'n' roll bed	101	Wheel arch liner	72
Car cover	95	Headlamp bulb	84	Roof bars	95	Wheel bearings	40,48
Carpets	74	Headlamp switch	84	Roof canvas	94	Wheel bolts	52,53
Chassis parts	62	Headlamps	84	Roof rack	95	Wheel cylinder	51
Clutch	32	Heat exchanger	39	Roof toggle	94	Wheel hub	48
Clutch cable	56	Heating kit	96	Rotor arm	80	Wheels	53
Clutch master	56	Heater matrix	27	Scraper seal	68	Wheel spacers	53
Clutch slave cylinder	56	Heater cable	55	Screen seal	71	Winder mechanism	69
Coil	80	Heater fan	27,88	Seal for sliding door	67	Window rubbers	68
Con rod	14,20	Heater switch	88	Seats	76	Window trim	71
Cooker	99	Horns	88	Seat belts	76	Window winders	69
Coolant hoses	22,23,24,31	HT leads	78,81	Shock absorber	45,48,49	Windscreen	71
Crankshaft	12	Hub caps	52,53	Side panel	62,63	Windscreen frame	62
CT engine	Please see website	Hydraulic clutch	56	Silencer	39-43	Windscreen washer	87
CU/CV engine	12-17	Ignition barrel	79	Sills	62	Wiper blades	86
Curtains	101	Ignition leads	78,81	Sink	99	Wiper motors	86
CV boot	48	Ignition switch	79	Sliding door handle	65	Wishbone	45
CV joint	48	Indicators	84	Sliding door panel	74		
Cylinder head gasket	28	Indicator switch	86	Sliding door parts	64-67		
Cylinder heads	12,19,28	Inner door lever	69	Spark plugs	81		
Disc brake plate	50	Inner sill	62	Sound deadening	77		
Distributor cap	80	Interior heating	39,96	Speedo Cable	88		
Distributors	80	Interior light	84	Split charge relay kit	101		
Door	68	Interior trim	74,75	Springs - Front	45		
Door handle - Cab	69	Jail bars	76	Springs - Rear	48		
Door handle - Sliding	65	LED Bulbs	84	SSP wheels	53		
Door seal	68	Locking wheel nuts	53	Starter motor	79		
Door skin	63	Lowering springs	49	Steering column	47		
Electric fuel pump	21	Master cylinder -	52	Steering lock	79		
Electric hook-up	100	Master cylinder -	56	Steering rack	47		

# WHO WE ARE

## & Where to find us



### FROM LONDON OR THE EAST:

- Take the M23 south from London until it becomes the A27. As you approach Brighton, turn onto the A27, in the direction of Worthing.
- Exit the A27 onto the A283 to Shoreham and at the roundabout, take the first exit onto Steyning Road.
- At the roundabout, take the first exit onto Upper Shoreham Road. At the supermarket, opposite the park, turn right onto Eastern Avenue.
- Directly before the level crossing, turn left onto Dolphin Road.

### FROM THE WEST:

- Exit the A27 onto the A283 to Shoreham and at the roundabout, take the second exit onto Steyning Road.
- At the roundabout, take the first exit onto Upper Shoreham Road. At the supermarket, opposite the park, turn right onto Eastern Avenue.
- Directly before the level crossing, turn left onto Dolphin Road.

# vwheritage

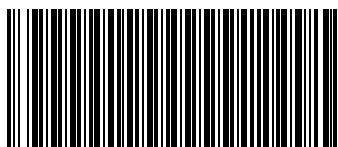


47 DOLPHIN ROAD, SHOREHAM-BY-SEA,  
WEST SUSSEX, BN43 6PB  
INT TEL. +44 (0) 1273 444 000



FREE UK DELIVERY ON:  
**INTERNET  
ORDERS\***

On orders over £35. Terms and Conditions apply,  
please see [www.vwheritage.com](http://www.vwheritage.com) for details.



000-100-000/25

