

# vwheritage



GOLF MK2 1984 - 1992 CATALOGUE 2016 ISSUE 1



VWHERITAGE.COM

# vwheritage



## BEHIND THE WHEEL OF A LEGEND

Welcome to the latest edition of the VW Heritage Splitscreen catalogue; quite a bit has changed since we printed the last version in 2013.

We have moved premises from Burgess Hill to Shoreham-by-Sea, more than doubling the size of our warehouse and allowing us to add another 4,000 parts to our ever expanding product range. I have also taken over as MD at VW Heritage, after David Ward was appointed Chairman in September 2015.

Many of you know David personally. He founded VW Heritage in 1986, and has steered us to where we are now with great skill and enthusiasm. Don't panic, there will be no big changes; I've worked at VW Heritage for 12 years as Sales Director, and my ethos and values are very much aligned with those of David's.

*Barney*

Managing Director

The Splitscreen has had a meteoric rise to fame in the last 10 years, and values have skyrocketed too. If you've been driving one from 'back in the day' then we salute you – and if you are new to Splyt ownership, congratulations – I love driving our 1956 Single Cab too; let's hope they continue to brighten up our roads for many more years to come.

I would love to write here that we can supply every part you need for your Splitscreen, but sadly that is impossible. What we can offer you is the best range of new parts for your vehicle anywhere in the world. Whether you are looking for engine parts or repair panels, door seals, window rubbers or interior parts, our quality is the best available and our service second to none.

If this is your first contact with VW Heritage, then welcome from me. A big hello if you are an existing friend and customer, we look forward to helping you again.

Speak soon,



ORDER BY PHONE:  
**01273 444 000**



ORDER ONLINE:  
**VWHERITAGE.COM**



FREE UK DELIVERY ON:  
**INTERNET ORDERS\***

\* On orders over £35. Terms and Conditions apply, please see [www.vwheritage.com](http://www.vwheritage.com) for details.



THOUSANDS OF CLASSIC AND PERFORMANCE PARTS FROM THE VW EXPERTS

WHY USE US?

VW Heritage is run by enthusiasts who live and breathe VWs. It's what makes us what we are; Parts Specialists. Got a question? Chances are one of us has asked it too, and now we know the answer! Our warehouse is full with more than 19,000 lines; we should be able to help no matter what your part requirements are.

PRICED TO SELL

£ We strive to have the most competitive prices out there – if you've seen it somewhere cheaper we will aim to beat it... and if we can't it probably means ours is better! All prices include VAT at 20%.

THAT'S NOT RIGHT

? Got a washer when you needed a window? Give us a call and we will get on it straight away. Be it a supplier error or just a plain human mistake, we will do our best to rectify all issues within 24 hours.

ERMM, IT SHOULDN'T BE LIKE THIS?

So an elephant's sat on the box? Please, please have a look in it now. Check the contents of every order, if there's a problem to sort we need to know ASAP.

QUALITY PARTS

⚙️ All parts are sold with at least a standard one year warranty (excluding a few specific items) As much as we would love to say nothing ever breaks – it does happen, so give us a call and we will make sure it gets sorted. Let us have a look too, a picture speaks a thousand words.

DIDN'T NEED THAT BIT AFTER ALL

↩️ Our 30 Day no quibble returns policy is simple. Complete the form on our website or give us a call and we will give you a specific returns number for the unwanted items. Had the part longer? Parts can be returned up to 90 days, subject to a 20% handling charge. See terms and conditions for full details. - [www.vwheritage.com/returns](http://www.vwheritage.com/returns)

COME ON DOWN

🏠 Our doors are open 9am to 5.30pm in the week and 9am to 1pm on a Saturday. If you are making the journey for a specific part why not call us first, we can get it reserved on an order for you so it doesn't sell in the meantime.

SO WHAT NOW

💻 You can order online at [www.vwheritage.com](http://www.vwheritage.com) from the comfort of your own living room, and with free carriage available on most orders over £35 it's almost too easy! If you have a question, how about calling our mail order hotline 01273 444 000. We can offer you the advice you need, and if you order before 3pm we can usually get your parts to you by the next working day!

PAYMENT

💳 We accept the following forms of payment:  
 Cash - Shop customers only • Credit/Debit Card - Visa, Mastercard  
 • Bank Transfer by arrangement • Paypal



'Buy With Confidence' Approved Member

VW Heritage Parts Centre Ltd. is an approved member of Trading Standards' Buy With Confidence scheme. This means that we have been audited and approved by West Sussex County Council Trading Standards to provide a reliable and quality service. See our website for more details.

A full list of our terms and conditions of sale are available on request. All pictures and drawings in this catalogue are general and may not relate to a specific part. © ... 2016 By VW Heritage Parts Centre Ltd. No part of this catalogue may be reproduced without written permission from VW Heritage. Street Style And Power & VW Heritage are trading names of VW Heritage Parts Centre Limited, Registered in England & Wales. Company No.3294341. VAT Number GB 475 7671 01. E. & O.E. All offers/prices are subject to change without prior notice and can be changed at any time.

ENGINE PARTS



FUEL



EXHAUSTS



TRANSMISSION & DRIVETRAIN



STEERING & SUSPENSION



BRAKES



WHEELS



CABLES & CONTROLS



BODY



INTERIOR



ELECTRICAL



BOOKS & TOOLS



INDEX



# CARRIAGE COSTS

We operate a fast and efficient mail order system.

Delivery prices are shown in the table and include VAT @ 20%. Exports outside Europe are priced individually.

All goods sent by ourselves are fully insured against loss and damage. We make sure you get your parts in perfect condition wherever you are.

On receipt of your parcel, always check the goods before signing. If there are any damaged, missing or incorrect parts we need to know within one working day of delivery. This will enable us to sort out any problem quickly!

For your convenience we now offer a 'Collection Point' delivery option, allowing you to order online and pick your parts up from a number of local shops, rather than having to worry about being at home when they are delivered.

To find your nearest collection point you can check [www.ups.com/dropoff](http://www.ups.com/dropoff)

Alternatively order online and collect from our warehouse shop counter in Shoreham-by-Sea.



# NEED ANOTHER CATALOGUE? GET YOUR FREE COPY TODAY

Request yours today and we will send it to you right away! Ghia, Beetle, Split Bus, Bay, T25, T4 & MK1, MK2 Golf catalogues. All the restoration parts you could need for your VW in similar detail to this catalogue. Please note the Karmann Ghia catalogue is just for Ghia specific parts. Please use the Beetle catalogue for mechanical items.



**A = Normal orders**

**B = Glass, panels, front axles & bumpers**

**C = Engines, gearboxes, complete Bus front panels & bonnets**

Glass - Mail orders containing glass require special packaging (this is an additional charge). This will be refunded if the packaging is returned.

UK Mainland, Scottish Highlands, & Isle Of Wight			
Order value	A	B	C
Up to £19.99	£4.00	£8.00	£40.00
£20.00 - £74.99	£6.50	£10.00	£40.00
£75+	£9.50	£16.50	£40.00

Scottish Islands, Northern Ireland, Channel Islands, Scilly Isles & Isle of Man			
Order value	A	B	C
Up to £19.99	£4.00	£15.50	£80.00
£20.00 - £74.99	£9.50	£17.50	£80.00
£75+	£12.50	£22.50	£80.00

Eire, Belgium, Luxembourg, Germany & France			
Order value	A	B	C
Up to £19.99	£8.00	£22.50	£80.00
£20.00 - £74.99	£13.50	£31.00	£80.00
£75+	£20.00	£35.00	£80.00

All other European & Worldwide destinations - please call our sales team for a quote.



## ONLINE AND ON THE MOVE!

All parts are available on our website and on our mobile site for use with smart phones, great for in the garage or out on the show field.



# HOW TO USE THIS CATALOGUE

With so many different parts available it can be confusing trying to work out the parts you need. We have tried to make this as clear as possible with comprehensive diagrams and photographs.

Below is a breakdown of our price panels so ordering the correct part is straight forward and hassle free.

Number of diagram / Photograph	Title & description of parts	Part number		Price
1	<b>Core plug</b> , 36.6mm	036-103-113/A	each	<b>0.00</b>
2	<b>Crank seal</b> , with flange	068-103-171/F	each	<b>0.00</b>
3	<b>Crank oil seal housing gasket</b>	026-103-181/B	each	<b>0.00</b>
4	<b>Bolt</b> , M6 x 18	N01-021-612	each	<b>0.00</b>
5	<b>Washer</b> , 7 x 14 x 0.8	N01-223-45	each	<b>0.00</b>
6	<b>Bolt</b>	N01-022-76	each	<b>0.00</b>

Unit of sale

## Abbreviations used in the catalogue

**NCA** = Not Currently Available - This part has been included as we believe it may become available in the future.

**NLA** = No longer available.

**TBA** = To be announced - This is a brand new product.

**CALL** = The price and supply of this part can fluctuate please call for a quote.

**>7/78** = Up to July 1978.

**8/78>** = August 1978 onwards.





# RUN BY ENTHUSIASTS, FOR ENTHUSIASTS

This is a snapshot of the VWs currently owned by some of our staff at VW Heritage.

Because we are VW owners and drivers, we understand why quality is important and with our many collective years of experience owning and working on VWs, we will help you

through your restoration or repair job with technical advice and, most importantly, by supplying the right parts on time.



**Barney - Managing Director**  
VW Heritage hand built Mexican Beetle, 1600cc, Donau rally livery



**David - Chairman**  
'56 Split Pick-up, 1200cc, 8,500 miles from new, original interior



**Paul - Purchasing Director**  
'89 Tischer, 1 of 27



**Mark - Operations Director**  
'99 T4 Caravelle, lowered, 16" Borbet B alloys, bonnet bra, leather seats.



**Nick - Sales Manager.** '62 US spec Beetle, original Gulf Blue paintwork, rag top, SSP BRM's



**Jo - Product Development**  
'57 standard split bus. Dove blue, RHD, replica devon interior



**Alex - Aircooled Product Manager**  
'88 T25 Single Cab, Subaru engine conversion



**Andy - Marketing Manager**  
'66 Polo L, lowered 60mm, 15" Fooks alloys, rebuilt 895cc, full body resto



**Sarah - Customer Services**  
'64 Split, full restoration project, fitted with STP sound deadening



**Dave - Web and I.T**  
'65 Beetle, SSP GT5s, narrowed beam, TMI Interior, 1600cc



**Aurelie - Trade Sales**  
'67 Split, ex Swiss ambulance 1776cc CSP Python exhaust, SSP Fooks



**James T - Trade Sales**  
'66 Beetle, sea blue 1641cc homebuilt turbo motor, Gasburners



**Ben - Market Analyst**  
'69 Deluxe, original paint, 2109cc Type 1 motor



**Will - Graphic Designer**  
'73 Beetle, lowered at the front, original 1200cc engine



**Pavel - Warehouse Operative**  
'78 Bay Window, full restoration project, 1600 Mk2 Golf diesel engine



**Laurent - Trade Sales Manager**  
Type 3 Fastback DIY restoration, repaint in Savannah Beige, 1641cc motor



**Tara - Purchasing Coordinator**  
'72 Beetle, fully restored, 1600cc, silver Empi 8s



**James - Web Content Manager**  
'58 Karmann Kafer Kabriolett



**Gary - Ebay Sales**  
'58 "low light" Ghia, twin carb 30hp engine. 356 style wheels, black Newton carpets.



**Alex T - Sales Administration**  
white '65 Beetle, 1600cc

# CARING FOR THE COMMUNITY...

At VW Heritage we enjoy interacting with our customers, many of whom become friends over time.

Whether you are local to us and able to attend our Heretics meets, or you join in the fun on Facebook, it is always good to hear your feedback and see what you have been up to with your Volkswagen projects.



We can also be found on a number of internet forums for Volkswagen and VAG vehicles, and model specific clubs too.

We are proud to be the official parts supplier to the Golf Mk2 owners club.

We are very lucky in the UK, being spoilt for choice with VW shows to attend during the spring and summer months. Keep an eye on our website or Facebook page for where we will be next. We normally discount parts ordered for collection at shows, and offer discount and free delivery for any parts order taken at the show.

For those needing to know more about a part you are more than welcome to come along and pick our brains too.

## Have a say in what we do!

We have built up a great rapport in a number of forums with members around the world.

We are always interested to hear what parts you find hard to source, which ones you wish you could get, and if you have any ideas for something fresh and new.

A great example of this successful venture is our stainless steel OEM+ exhausts for Mk2 Golf GTI models. These came about from a Club GTI topic, and are proving to be popular with the VW scene.



We have also been able to influence VW Classic Parts into re-commissioning G60 arch trims, a firm favourite with Mk2 owners, and now back on the shelves thanks to you suggesting it!



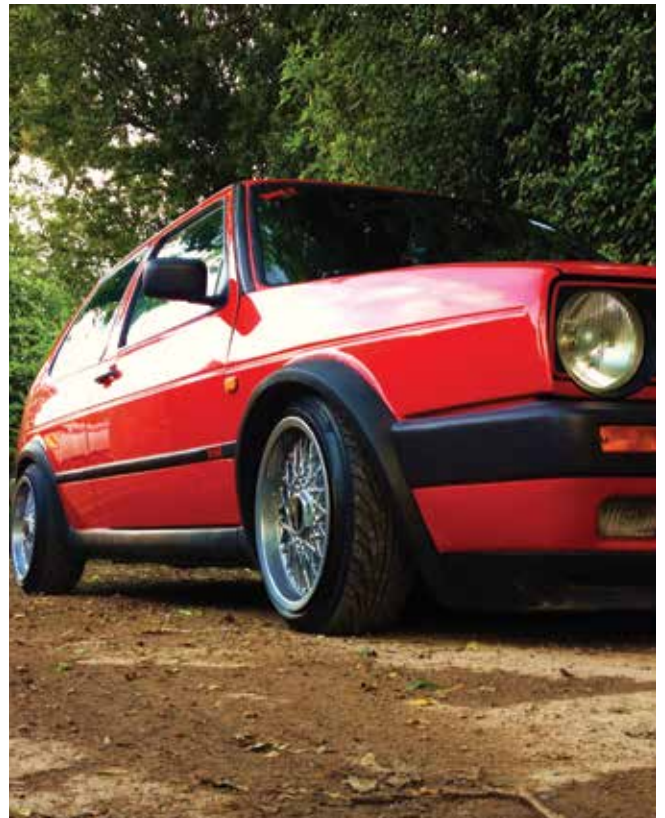
Why not join up on one of more of the following, and add to the conversation. You never know, the parts you need might just get made because of you!

[www.facebook.com/vwheritage](http://www.facebook.com/vwheritage)

[www.edition38.com](http://www.edition38.com)

[www.clubgti.co.uk](http://www.clubgti.co.uk)

[www.vwgolfmk2.co.uk](http://www.vwgolfmk2.co.uk)





# VW CLASSIC PARTS COULD BE THE ANSWER TO YOUR PRAYERS!

Our partnership with VW Classic Parts is helping enthusiasts all over the UK to track down those missing pieces for their projects from the very source that the parts came from in the first place!



It's been 5 years since we became UK partners for VW Classic Parts, and we continue to unearth the missing components for our customer's projects. Whether you need a single screw or a complete side panel it could be sat on a shelf at the VW Classic Parts warehouse just waiting for you to call us!

VW Classic Parts have put all the hard work in, gathering such a huge stock holding from dealerships and warehouses around the world, and now it is for us all to reap the benefits.

Barney Dines, VW Heritage Managing Director explains more.

"This resource is invaluable to the classic VW community, and we are privileged to be in a position to offer these parts to new and existing VW Heritage customers. It's not just parts for the vintage Volkswagen models either, there's thousands of parts for VWs from the 80's, 90's and early 00's too."

Stefan Neubacher, Managing Director at VW Classic Parts commented on this growing working relationship.

"VW Heritage have been a pleasure to work with since we appointed them as an official partner in 2011. Their team is made up of enthusiasts, which really helps when advising and selling the parts we have on offer at VW Classic Parts. The amount of knowledge within the team is huge, and the service they offer is great. We look forward to continuing to work together in the future for the good of the classic VW community, and keeping the real heritage of the Volkswagen brand alive".

VW Classic Parts have over 44,000 parts listed in their inventory; a number that dwarfs our current 18,000 part lines and really puts into perspective the importance of this partnership for the global VW scene. It will no doubt be responsible for keeping many VWs on the road for decades to come.

# VW HERITAGE BECOMES A TÜV ACCREDITED PARTS MANUFACTURER

Having recently passed the strictest of audits for German TÜV Quality Management Processing, we are proud to say VW Heritage is now a certified and approved TÜV manufacturer.



With this coveted TÜV approved production standard, we have been able to receive TÜV certifications on all our SSP Cosmic, SSP Fook, and SSP Gasburner wheels, and we plan for more TÜV certified wheels to follow.

## What is it all about?

The German Ministry of Transport only accepts non-standard parts installed on cars which are tested and certified by the German TÜV. This certification process is well known for its very high safety requirements and is enforced by the German TÜV and the German Police force.

Our intention is to manufacture SSP wheels to comply fully with TÜV requirements for use in the German market.

Whilst this is great news for our German customers, for those that the TÜV doesn't yet apply to, it is a guarantee of maximum durability and safety with regards to fitment as passed and approved by the TÜV Certification Tests.

## What does this mean for you?

Although currently only legislation in Germany, there are drafts made for an EU-wide TÜV testing system that will become standard in mainland Europe and set to head across the channel to the UK in the next few years. TÜV approval will be required for all non standard additions you make to your vehicle.





# UNDERSTANDING YOUR GOLF MK2



In August 1983, VW launched the Mk2 Golf (Typ 19E) along with its booted sibling the Jetta. It was slightly larger and more refined than the Mk1, and this time was designed in-house, though it was clearly influenced by the Italian penned Mk1. The 139bhp 16v engine (KR code) joined the 112bhp 8v GTI in August of 1986. In August of 1987 the Mk2 underwent its first major facelift, with the quarter lights removed from the front door glass and the mirrors moved further forward along the doors. The grille was also changed, from the 7-slat to the 5-slat, and the fuel injection system was updated, with the mechanical K-Jet setup replaced with the fully-electronic Digifant system on the 8v GTI models.

August 1989 saw the change from Typ 19 to Typ 1G, the biggest change to the car externally being the availability of "Big-Bumpers" on the GTI and GL models, along with slimmer rub strips, and re-modelled arch trims which led into the full length sill covers. Beneath the skin, the car had a new electrical system, known as Central Electric II (easily identified by the hazard switch moving from the dash to the steering column shroud). This era also saw the development of some new models: The Rallye Golf was, as the name suggests, a Rally special, produced by VW motorsport in Belgium using the G60 Supercharged motor, a US spec bodyshell, and a beefed up "Syncro" 4wd system (first launched in the 1986 Golf Syncro).

The G60 was, essentially, a GTI with a supercharged G60 motor. There was also an Edition One special, available in 8v, 16v and G60 forms, as well as ultra-rare G60 Syncro and G60 Limited models. The G60 Limited was a VW Motorsport-built special, with 71 being made, 69 of which were 5 doors.

They featured a 210bhp 16v G60 motor, BBS RM split rim wheels, Syncro 4wd, USDM bumpers, single lamp blue trimmed grilles, tinted Hella tail lamps and exclusive VW Motorsport badging. Perhaps unsurprisingly, given their exceptional spec, they were originally built for VAG Executives. All G60s, Rallyes and Edition Ones are LHD, with the Rallye the only one officially imported into the UK. Though similar to the European model, The UK Rallye was sold as the Rallye SE - a 'Special Equipment' with every option box ticked in an attempt to make the £20,000+ price tag (back in 1990) more justifiable - a much needed incentive given that the car, in its stock form, was slower than a 16v GTI.

The Mk2 was always sold in the US as a Golf (not like the Mk1, which was badged as the Rabbit) as part of VW's attempt to standardise branding globally. Production of the MkII finally ceased in 1992, though there are still some late registered GTIs around in the UK.



## Engine Codes

Code (Mk2 Engines)	CC	KW
1V	1600	DIESEL
2G	1300	40
ABN	1600	55
ABX	1600	53
EV	1800	82
EZ	1600	55
GN	1000	33
GU	1800	66
GX	1800	66
HK	1300	40
HT	1800	77
HZ	1050	37
JP	1600	DIESEL
JR	1600	51 TD
KR	1800	102
MH	1300	40
NZ	1300	40 DIGIJETRONIC
PB	1800	82 DIGIFANT
PF	1800	79 DIGIFANT
PG	1800	118 G60
PL	1800	95
PN	1600	51
RA	1600	59 TD
RD	1800	79
RF	1600	53
RH	1800	62
RP	1800	66 MONOJETRONIC
SB	1600	59 TD

## Decoding Your Chassis Number

Ignore	Type	Ignore	Year	Plant	Number
wv1zzz	70	z	Y	H	125849
<i>E = 1984</i>		<i>K = 1989</i>		<i>Plant Codes</i>	
<i>F = 1985</i>		<i>L = 1990</i>		<i>W = Wolfsburg</i>	
<i>G = 1986</i>		<i>M = 1991</i>		<i>B = Brussels</i>	
<i>H = 1987</i>		<i>N = 1992</i>		<i>P = Mosel</i>	
<i>J = 1988</i>					

## Chassis Numbers

Year	Chassis No. From	Chassis No. To
<b>Wolfsburg Produced Cars</b>		
1984 (Mk2)	...E-300 001	...E-990 000
1985	...F-000 001	...F-990 000
1986	...G-000 001	...G-990 000
1987	...H-000 001	...HW990 000
1988	...JW000 001	...JW990 000
1989	1G-KW000 001	1G-KW990 000
1990	1G-LW000 001	1G-LW990 000
1991	1G-MW000 001	1G-MW990 000
1992	1G-NW000 001	1G-NW300 000
<b>Brussels Produced Cars</b>		
1987	...HB881 137	...HB990 000
1988	19-JB000 001	19-JB200 000
1989	1G-KB000 001	1G-KB200 000
1990	1G-LB000 001	1G-LB300 000
1991	1G-MB000 001	1G-MB150 000
1992	1G-NB000 001	1G-NB030 000
<b>Mosel Produced Cars</b>		
1991	1G-MP312 206	1G-MP800 000
1992	1G-NP000 001	1G-NP300 000



# ENGINE PARTS

What size engine do you have?  
Is it Petrol or Diesel? 8v or 16v?

Running problems? Spray your inlet manifold and carb base gasket with WD40 while it's running - if the engine note changes you've got an air leak!

Need ignition parts?  
Check out our full range in the electrical section.



Engine Oil, 15W/40,  
5 litre, ML-005  
£21.80 each



Anti Freeze / Coolant,  
G-012-A8G-M1  
£9.90 each



Quantum Synta,  
ZGB-115-QLB/S  
£20.95 each

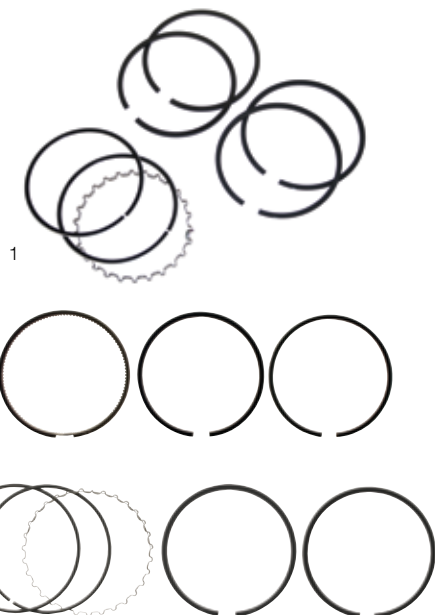


Carb Cleaner,  
ML-011  
£7.20 each



Digifant Service Kit,  
191-198-000  
£58.00 each

## PISTON RING SETS



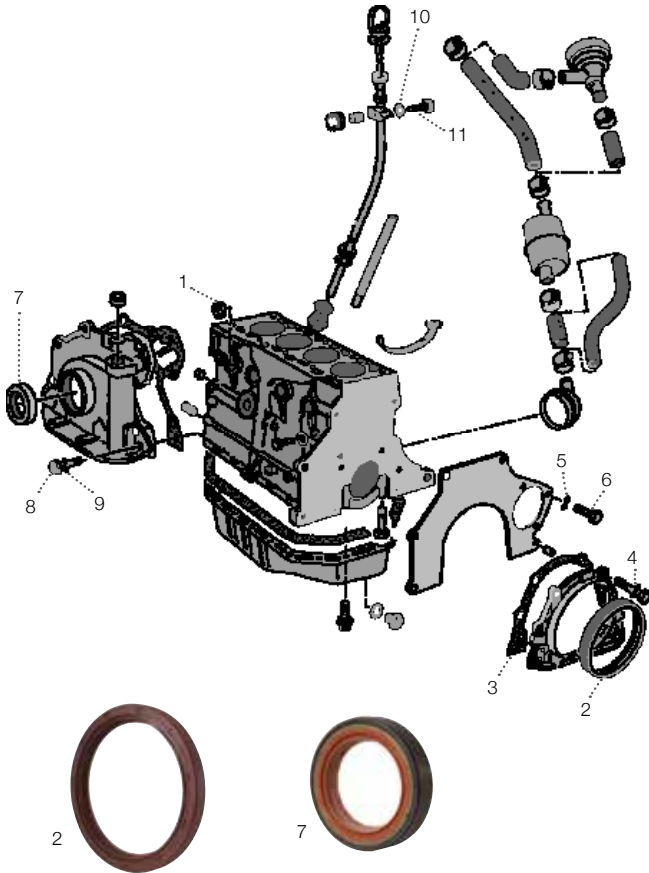
\*Some of these sets are sold per piston: please check when ordering to be sure.

1	1300cc, GF Engine codes, 1x piston/set	052-198-151/C	each	£50.10
	1050-1300cc, most models	030-198-151	each	£44.52
2	1600cc & 1800cc, GX / RP codes	026-198-151/B	each	£25.00
3	Most 1800cc	026-198-151/A	each	£24.00
	1600cc Diesel	068-198-151/C	each	£79.00

## BEARINGS

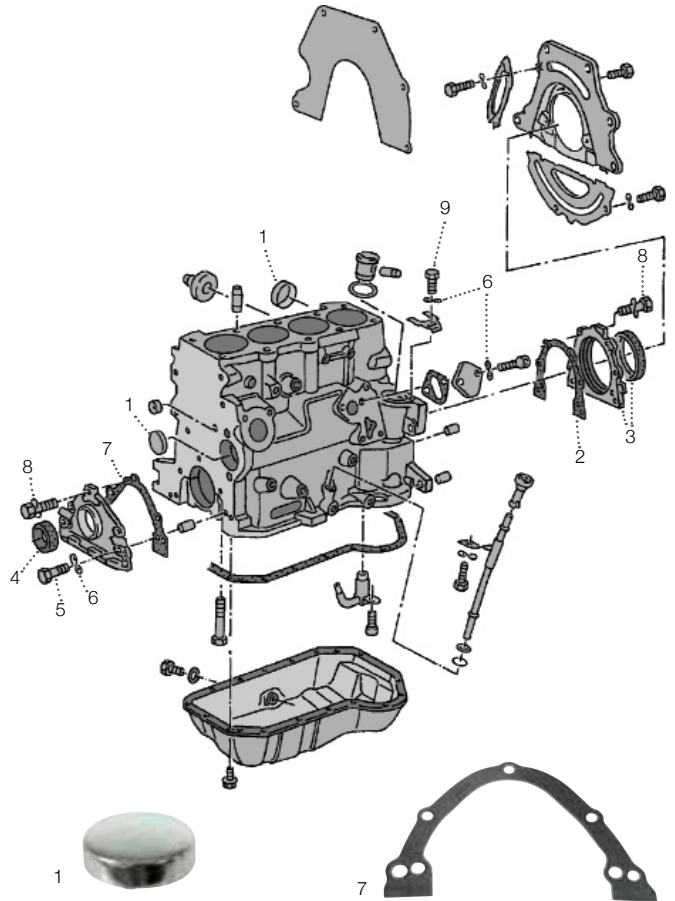
<b>Main bearings 1050-1300cc and 1600-1800cc including Diesel / Turbo Diesel &gt;87</b>			
Std x Std x Std	068-198-491	each	£49.95
0.25 x Std x Std	068-198-493	each	£49.95
0.5 x Std x Std	068-198-495	each	£49.95
0.75 x Std x Std	068-198-497	each	£49.95
<b>1600-1800cc 87&gt; Including Diesel / Turbo Diesel, 16v and G60</b>			
You will also require thrust washers 026-198-421 for the standard kit below			
Std x Std x Std	026-198-491/A	each	£39.95
0.25 x Std x Std	068-198-493	each	£49.95
0.5 x Std x Std	068-198-495	each	£49.95
0.75 x Std x Std	068-198-497	each	£49.95
<b>Big end bearings 1050-1300cc</b>			
Std	030-105-701/G	each	£25.95
0.25	030-105-707/G	each	£25.95
0.5	030-105-713/G	each	£25.95
<b>1600-1800cc including 16v and G60</b>			
Std	034-105-701	each	£29.95
0.25	034-105-707	each	£29.95
0.5	034-105-713	each	£29.95
<b>Diesel and Turbo Diesel</b>			
Std	033-105-701	each	£35.00
0.25	033-105-707	each	£29.95
0.5	033-105-713	each	£29.95
<b>Small end bushes</b>			
1050-1300cc	052-105-431	each	£17.95
1600-1800cc inc 16v	026-105-431	each	£17.95
1800cc G60	056-105-431	each	£17.95
Diesel / Turbo Diesel	069-105-431/A	each	£17.95

ENGINE BLOCKS 1050 - 1300CC



1	Core plug, 36.6mm	036-103-113/A	each	£1.20
2	Crank seal, with flange	068-103-171/F	each	£17.00
3	Crank oil seal housing gasket	026-103-181/B	each	£2.80
4	Bolt, M6 x 18	N01-021-612	each	£1.10
5	Washer, 7 x 14 x 0.8	N01-223-45	each	£0.50
6	Bolt	N01-022-76	each	£0.60
7	Oil seal, Crankcase 47 x 10	068-103-085/E	each	£21.70
	Oil seal, Crankcase, repro 47 x 10	068-103-085/ER	each	£7.50
8	Bolt	N01-021-710	each	£1.70
9	Spring washer, 6mm	N01-222-65 //	each	£0.50
10	Washer, A6.4 x 12.5 x 1.6	N01-152-423	each	£0.30
11	Tapping screw, Hex head	N01-594-61	each	£0.80

ENGINE BLOCKS 1600 - 1800CC INC. DIESEL



1	Core plug, 36.6mm	036-103-113/A	each	£1.20
2	Gasket, crankseal housing	026-103-181/B	each	£1.30
3	Crank seal, with flange	068-103-171/F	each	£17.00
4	Oil seal, Crankcase	068-103-085/E	each	£21.70
	Oil seal, Crankcase repro	068-103-085/ER	each	£1.10
5	Bolt, M8 x 20	N01-024-016	each	£0.80
	Core plug, 36.6mm	036-103-113/A	each	£1.20
6	Spring washer, 8 x 15 x 0.8	N01-224-110	each	£0.40
7	Gasket, Flange front	026-103-161/B	each	£1.70
8	Bolt, M6 x 18	N01-021-612	each	£21.70
9	Bolt, M8 x 25	N01-024-222	each	£0.80



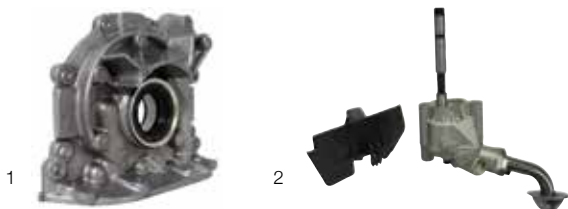


## SUMPS



	<b>1050-1300cc</b>	030-103-601/E	each	<b>£39.00</b>
	<b>1600-1800cc &gt;7/87</b>	055-103-601	each	<b>£28.00</b>
1	<b>Sump</b> , 1600-1800cc all models 8/87-7/92	051-103-601	each	<b>£25.00</b>
2	<b>Sump</b> , 1600 turbo diesel	068-103-601/L	each	<b>£68.20</b>
3	<b>Sump bolt</b> , all models	N90-288-901	each	<b>£2.20</b>
	<b>Sealing washer</b> , for above	N01-384-92	each	<b>£1.10</b>
	<b>Sump gasket</b> , 1600-1800cc	044-103-609/D	each	<b>£6.00</b>
8	<b>Sump gasket</b> , 1050-1300cc	032-103-609/B	each	<b>£5.50</b>
9	<b>Sump 88&gt;</b> , 1600 1800cc	051-103-601	each	<b>£25.00</b>

## OIL PUMPS



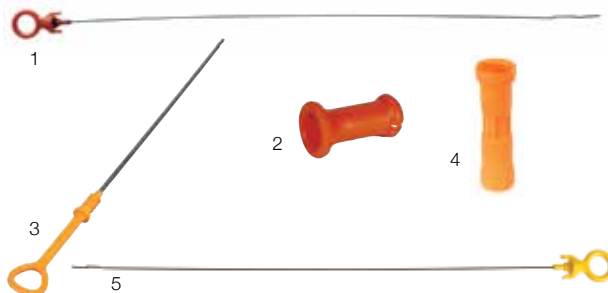
	<b>1000-1300cc</b> , 8/85>	030-115-105/E	each	<b>£55.95</b>
	<b>1600-1800cc</b> , all models exc. 16v	027-115-105	each	<b>£44.00</b>
	<b>1800cc</b> , 16v	027-115-105/C	each	<b>£41.40</b>
1	<b>1050-1300cc</b> , >7/85	052-115-105/A	each	<b>£81.90</b>
	<b>1600cc Diesel</b>	068-115-105/Q	each	<b>£43.00</b>
2	<b>1600cc Turbo Diesel</b>	068-115-105/BK	each	<b>£34.20</b>
	<b>G60</b>	037-115-105	each	<b>£29.00</b>

## OIL FILTER



1	<b>All models</b> , (petrol)	056-115-561G	each	<b>£7.00</b>
2	<b>All models</b> , (diesel)	068-115-561/B	each	<b>£7.00</b>
	<b>G60 models</b>	037-115-561	each	<b>£5.00</b>
	<b>16V models</b>	034-115-561/A	each	<b>£5.00</b>

## DIPSTICKS & GUIDES



1	<b>1000-1300cc</b> , 8/85>	030-115-611/E	each	<b>£11.00</b>
2	<b>Guide tube</b> , for 1000-1300cc	036-115-636	each	<b>£2.80</b>
3	<b>1600-1800cc</b>	027-115-611/C	each	<b>£3.90</b>
4	<b>Guide tube</b> , for 1600-1800cc	053-103-663	each	<b>£1.25</b>
5	<b>Diesel</b>	068-115-611/P	each	<b>£7.70</b>
	<b>Guide tube</b> , for diesel	036-115-636	each	<b>£2.80</b>

## OIL BREATHERS



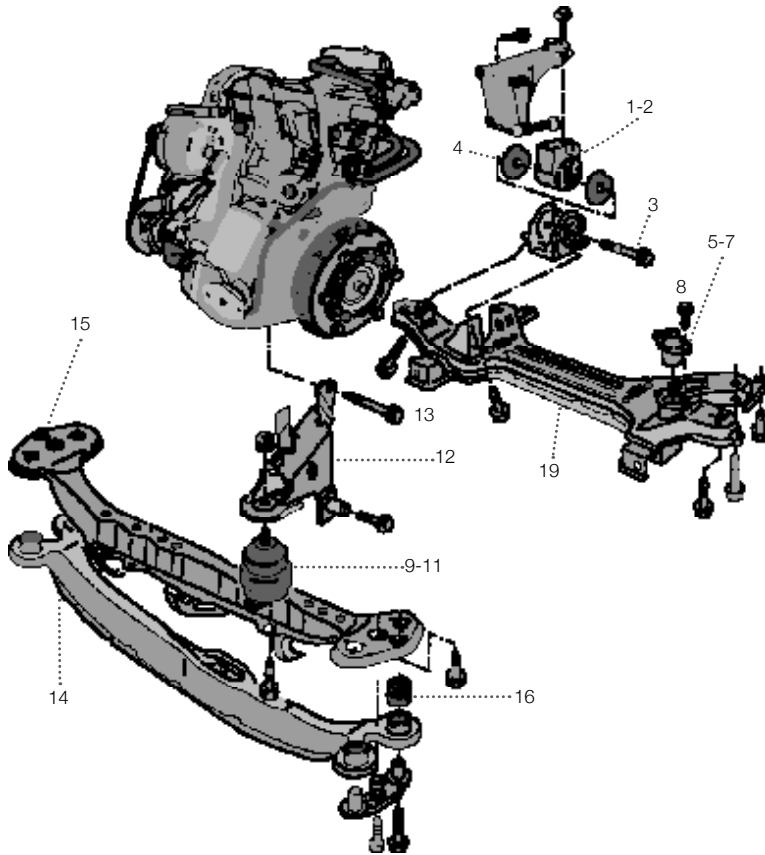
	<b>1000-1300cc</b> , metal in block	036-103-129	each	<b>£19.30</b>
1	<b>Oil separator</b> , plastic, 1000-1300cc, 85-91	052-103-495	each	<b>£26.00</b>
2	<b>8v digifant</b> , GTI rocker cover breather hose	037-103-493/D	each	<b>£6.10</b>
	<b>Rocker cover breather filter seal</b>	028-103-500	each	<b>£2.50</b>

## OIL FILLER CAP AND HOSES



1	<b>Oil filler cap</b> , all models	026-103-485/A	each	<b>£2.75</b>
	<b>Oil hose</b> , 1/2" black per metre	AC1159282	each	<b>£14.00</b>
2	<b>Oil hose</b> , 1/2" stainless steel braided per metre	AC1158822A	each	<b>£26.90</b>





RIGHT REAR MOUNT



1	All models exc. 16v/G60 88>	191-199-262/A	each	£20.00
2	16v/G60 88>	535-199-262	each	£36.90
3	Bolt for above	N90-418-301	each	£3.74
4	Washer for above, 2 req	191-199-438	each	£8.95

FRONT ENGINE MOUNTS



9	>87 hydro mount	191-199-279/C	each	£32.00
10	88>, bonded mount, all exc. 16v/G60	191-199-279/E	each	£25.00
11	16v/G60, 88>	357-199-279/B	each	£21.50
12	Bracket for all, exc. 1100-1300cc/G60	191-199-273/C	each	£12.00
13	Bolt for above, upper, manual	N04-476-01	each	£3.50
	Bolt for above, lower, manual	N10-286-205	each	£1.95
	Bolt for above, upper/lower, auto only	N01-045-69	each	£2.95
	Washer for above, upper /lower, auto only	N01-152-711	each	£0.80

LEFT REAR MOUNT



5	1100-1300cc	191-199-381/A	each	£11.00
6	1600-1800cc exc. 16v/G60	191-199-402/A	each	£18.00
7	G60	357-199-381/C	each	£12.00
8	Bolt for above, 2 req	N01-953-310	each	£0.95

CROSS MEMBERS AND SUBFRAME



14	Lower cross member	191-199-201/D	each	£99.00
15	Upper cross member	191-199-171/E	each	£40.50
	Front subframe all exc G60	191-199-315/AD	each	£121.50
16	Rubber mount for cross member, 4 req	191-199-233	each	£5.00



**UPGRADES  
& CUSTOM PARTS**

## ENGINE MOUNTS



### Vibra-Technics front engine mount

1	Road	WC199VAG750M	each	£189.00
	Competition	WC199VAG750MX	each	£242.50
	VR6 Conversion SO Part	WC199VAG800M	each	£189.00

### Vibra-Technics rear right engine mount

2	Road	WC199VAG970M	each	£174.30
	Competition SO Part	WC199VAG975MX	each	£159.60

### Vibra-Technics rear left engine mount

	Road	WC199VAG875M	each	£101.80
3	Competition SO Part	WC199VAG870MX	each	£93.40

4	<b>Bugpack rear engine mount</b>	WC19922-503	each	£10.00
---	----------------------------------	-------------	------	--------

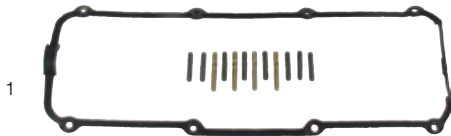


### Vibra-Technics Engine Mounts

Our rubber-to-metal bonded products are designed specifically for high performance applications, where a direct replacement for the standard mount is required, along with a much higher level of engine control to cope with higher engine outputs & higher road inputs caused by fast driving. The fast-road mounts give significant improvements in ride & handling without adversely affecting vibration isolation.

The competition mounts also eliminate clearance problems with strut braces & exhaust systems, body panels etc. & improve handling whilst still giving vibration isolation at high engine speeds. Competition mounts are not recommended for road use.

## ROCKER COVER



\*use on diesel turbo models too.

	<b>1000-1300cc</b> , (HZ, MH, NU engine codes, 85>	030-103-483/G	each	£5.95
1	<b>1500-1800cc</b> , not 16v, cork w/half moon seal*	026-198-025/C	each	£10.50
	<b>1800cc</b> , 16v	027-198-025	each	£12.00
	<b>G60</b>	037-103-483/C	each	£6.00
	<b>1050-1300cc</b> , >7/7/85 rocker cover gasket	052-103-483/C	each	£2.10
	<b>Oil deflector</b> , 1600/1800cc	026-103-547	each	£5.00
	<b>1600-1800</b>	026-198-025/A	each	£3.50

## INLET MANIFOLD GASKETS



1	<b>1000-1300cc</b> , water heated manifold	030-129-717/D	each	£3.00
2	<b>1000-1300cc</b> , air heated manifold	036-129-717/A	each	£3.00
	<b>1500-1800cc</b> , all exc. 16v	026-129-717/D	each	£3.00
	<b>Sealing washer</b> , for above	035-121-171/C	each	£1.25
	<b>1800cc</b> , 16v, upper gasket, all PL, save KR	027-129-717/D	each	£7.00
3	<b>1800cc</b> , 16v, lower gasket	037-129-717/F	each	£2.75
	<b>Diesel</b> , all models	068-129-717/E	each	£2.80

## HEAD GASKETS

Please call to discuss diesel head gaskets



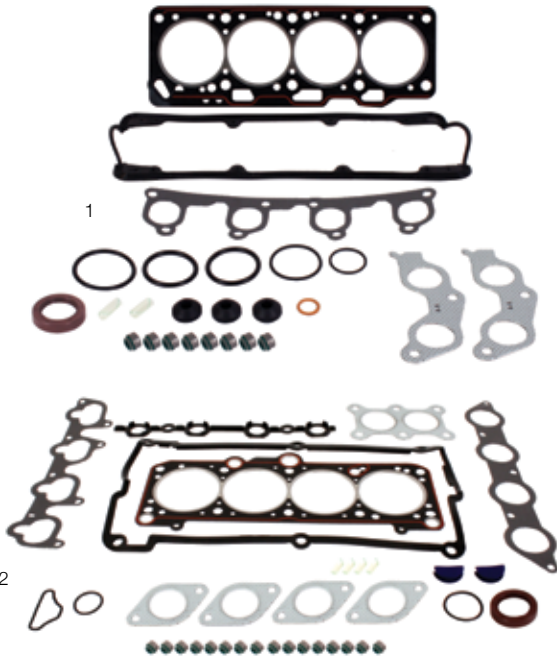
1	<b>1050 -1300cc</b> , 83-91	030-103-383/M	each	£12.00
2	<b>1600-1800cc</b> , 83>, all models inc. 16v, exc. G60	026-103-383/P	each	£12.00
3	<b>G60/Rallye</b>	037-103-383/L	each	£40.00

## OTHER GASKETS



	<b>Gasket &amp; clamp</b> , for exhaust manifold, 1500-1800 carb	161-298-115	each	£9.00
1	1600cc, crankcase gasket set	037-198-011/C	each	£46.00
	1050/1300cc crankcase gasket set	052-198-011/A	each	£25.00
	GTi 16v crankcase gasket set, best quality	051-198-011/A	each	£110.20

HEAD GASKET SETS



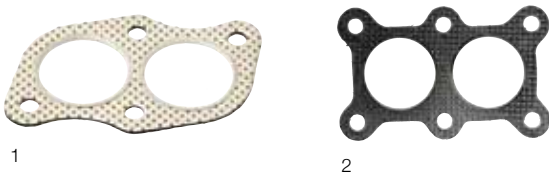
1	<b>1050-1300cc</b> , petrol, 85-91	030-198-012	each	<b>£34.00</b>
	<b>1600-1800cc</b> , 83-91, all petrol exc. 16v/G60	027-198-012/L	each	<b>£41.00</b>
2	<b>1800cc</b> , 16v, 85-91	027-198-012/H	each	<b>£65.00</b>
	<b>Diesel</b> , JP engine code, 82-86	068-198-012	each	<b>£49.95</b>

HEAD BOLTS



	<b>1050-1300</b> , 8/83 - 10/86	049-103-385	set 10	<b>£12.00</b>
1	<b>1050-1300</b> , 10/86 - 7/92	049-103-384/B	set 10	<b>£11.50</b>
	<b>All petrol</b> , exc. 1500cc and 16v	049-103-384/B	set 10	<b>£15.00</b>
2	<b>1800cc</b> , 16v	027-103-385/A	set 10	<b>£23.95</b>
3	<b>Diesel</b> , 79>	068-103-384/A	set 10	<b>£20.00</b>

DOWNPIPE GASKETS



1	<b>1050-1300cc</b> , 83-91	036-253-115/A	each	<b>£4.50</b>
2	<b>1800cc</b> , 16v, 85-91	533-253-115/C	each	<b>£6.50</b>
	<b>1600cc</b> , diesel, 83-91	893-253-115	each	<b>£3.95</b>

UPGRADES & CUSTOM PARTS

MK3 PARTS/UPGRADES



Upgrade to the more reliable Mk3 rubber gasket to solve your leaky rocker cover problems!

1	<b>1600-1800cc</b> , Mk3 8v rocker gasket set (with studs)	026-198-025/C	set	<b>£10.50</b>
2	<b>1600-1800cc</b> , Mk3 8v rocker gasket set (without studs)	051-103-483/A	set	<b>£9.90</b>

DIESEL VACUUM PUMP PARTS



1	<b>Repair kit</b> , for vacuum pump valve	068-198-819	kit	<b>£11.00</b>
2	<b>Diaphragm</b> , for vacuum pump	068-198-821/A	each	<b>£8.80</b>

VALVE SEALS & GUIDES



1	<b>All models</b> , exc. 16v	026-109-675	each	<b>£0.95</b>
2	<b>1800cc</b> , 16v	027-109-675	each	<b>£0.95</b>
	<b>Valve guide</b>	056-103-419/A	each	<b>£7.70</b>
	<b>Valve collar</b> , all models 8v/req. /32-16v	113-109-651/A	each	<b>£0.95</b>

CAM BELT TENSIONER



1	<b>1500-1600cc</b> , Diesel, 76>	068-109-243/F	each	<b>£18.00</b>
	<b>1600-1800cc</b> , 8v	026-109-243	each	<b>£17.20</b>
2	<b>1800cc</b> , 16v	051-109-243	each	<b>£23.00</b>

CAM BELT COVERS



1	<b>1500-1600cc</b> , 83-88	049-109-175	each	<b>£9.00</b>
2	<b>1600-1800cc</b> , petrol, all exc. 16v/G60 87-91. Outer Upper	026-109-107/B	each	<b>£6.95</b>
	<b>1600-1800cc</b> , petrol, all exc. 16v/G60 87-91. inner upper	026-109-173/A	each	<b>£8.80</b>
	<b>1800cc</b> , 16v, upper	027-109-123/B	each	<b>£46.50</b>
	<b>1800cc</b> , 16v, lower	027-109-174	each	<b>£30.00</b>
	<b>1600-1800cc</b> , lower >7/88	049-109-175	each	<b>£9.00</b>



## CAM STRIP SEALS



1 1500-1800cc, exc. 16v 056-103-489/A each **£0.60**

## CAM HALF MOON SEALS



1 1500-1800cc, exc. 16v 049-103-491 each **£0.60**

**UPGRADES  
& CUSTOM PARTS**

## PERFORMANCE CAMSHAFT



### Piper Cams

#### Golf GTi 8v pre-1986 with mechanical tappets, cam kit

**Fast road**, Gains of up to 10bhp WC109KBVG270 each **£467.60**

**Ultimate road**, gains of up to 14bhp WC109KBVG285 each **£446.00**

#### Golf GTi 8v post-1986 with hydraulic tappets, cam kit

**Fast road**, gains of up to 10bhp WC109KBVG270H each **£467.60**

**Ultimate road**, gains of up to 15bhp WC109KBVG285H each **£446.00**

Ultimate road and rally WC109KBV16V285H each **£823.10**

WC109KBV16V300H each **£823.10**

#### Golf G60/Rallye, cam kits

**Fast road**, gains of up to 10bhp WC109G60BP270H each **£391.40**

#### Ultimate road

gains of up to 18bhp (ideal with pulley and chip)

Golf GTi 16v, cam kits WC109G60BP285H each **£391.40**

#### Fast road,

gains of up to 12bhp WC109KBV16VBP270H each **£823.10**

## CAM FOLLOWERS



1 1050-1800cc, hydraulic, all models inc. 16v 034-109-309/AD each **£12.10**

## CAM BELTS AND KITS



1 1050-1300cc, 83-90	052-109-119	each	<b>£8.00</b>
1 1300cc, 90-91	030-109-119/A	each	<b>£8.00</b>
1500-1800cc, carb & injection, all models inc. G60, 83-91 kit	026-109-243/E	each	<b>£17.20</b>
1600cc, diesel, 83-91	068-109-119/E	each	<b>£15.00</b>
1800cc, 16v	027-109-119/A	each	<b>£21.00</b>
Diesel kit	068-198-243	kit	<b>£34.70</b>
Diesel kit, 1600-1800cc	026-109-243/E	kit	<b>£17.20</b>

## CAM CHAIN 16V



1 1800cc, 16v 027-109-120 each **£8.00**

**UPGRADES  
& CUSTOM PARTS**

## COMPETITION CAMBELTS / PULLEYS



### Vernier pulleys 8v Gti/G60

1 Black	WC109PULDGTI	each	<b>£152.20</b>
2 Blue	WC109PULDGTIB	each	<b>£134.40</b>
3 Red	WC109PULDGTIR	each	<b>£134.40</b>
<b>16v Gti</b>			
4 Black	WC109PULDV16V	each	<b>£134.40</b>
5 Blue	WC109PULDV16VB	each	<b>£134.40</b>
6 Red	WC109PULDV16VR	each	<b>£134.40</b>

### Competition cam belts

7 1600-1800 inc 8v GTi / G60	WC109TBP23	each	<b>£45.20</b>
8 1800cc GTi 16v	WC109TBP25	each	<b>£51.60</b>



RADIATORS



1	1050-1300cc 430mm	171-121-253/CJ	each	£41.00
2	1600-1800cc 430mm	191-121-253/D/K	each	£45.00
3	525mm	321-121-253/AL	each	£50.00
4	675mm	191-121-251/C	each	£45.00
5	Gti 16v 430mm	191-121-253/L	each	£47.00
6	Radiator mounts, lower	171-121-276/D	each	£0.95

HEATER MATRIX



Please see page 76 for more heater components.

1	Heater matrix, uses Mk3 upgraded part	1H2-819-031/A	each	£26.00
---	---------------------------------------	---------------	------	--------

OIL COOLERS



1	1600-1800cc, all models exc. G60	068-117-021/B	each	£41.00
2	Seal for above	038-117-070/A	each	£4.95

HEADER TANKS



1	1000-1800cc, 82-89, all models inc. 16v/Gti	171-121-407/F	each	£12.00
2	1000-1800cc, 89-91, all models inc. 16v/Gti	1H0-121-407-A	each	£16.80

HEADER TANK/RADIATOR CAPS



1	Square type, tank/radiator, >89	171-121-321/C	each	£3.50
2	Round type, tank, 89>	1H0-121-321/C	each	£3.95

UPGRADES & CUSTOM PARTS REMOTE OIL COOLERS

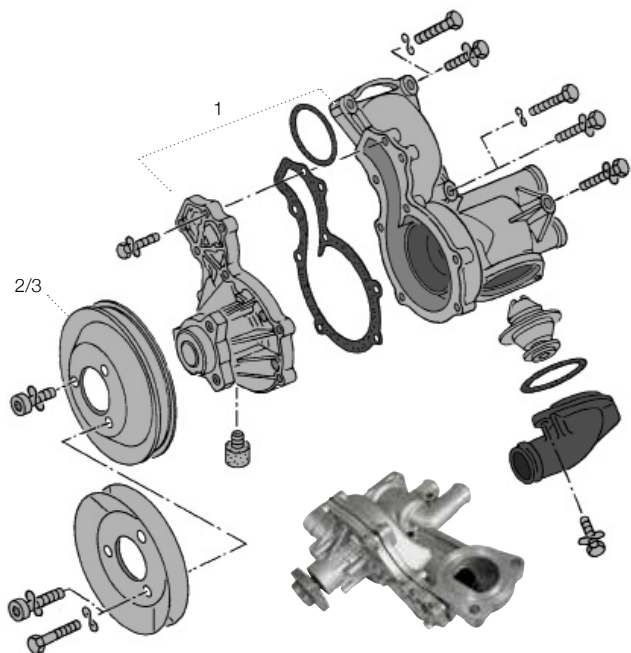


1	24 row cooler kit, (37.5x75x275mm)	WC1179299	kit	£80.00
2	48 row cooler kit, (37.5x144x275mm)	WC1179278	kit	£89.00





## WATERPUMPS



1	<b>1600-1800cc</b>	037-121-010/C	each	<b>£39.95</b>
2	<b>Pulley wheel, PAS models, GTI 8v &gt;7/87/16v all</b>	027-121-028	each	<b>£54.80</b>
3	<b>Pulley wheel, non PAS 1600/1800cc inc GTI 8v</b>	026-121-031	each	<b>£6.00</b>

## 1050-1300CC WATERPUMP



1	<b>1050-1300cc &gt;10/90</b>	052-121-004	each	<b>£25.00</b>
	<b>10/90&gt;</b>	030-121-004/A	each	<b>£25.40</b>
	<b>Bolt</b>	N01-021-86	each	<b>£1.20</b>
2	<b>Washer for above</b>	N01-540-13	each	<b>£1.00</b>
	<b>O Ring</b>	030-121-043/B	each	<b>£2.95</b>

## THERMOSTATS



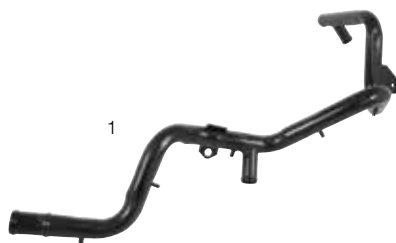
1	1050-1300cc >7/85	036-121-113/B	each	<b>£6.60</b>
2	8/85-7/92	030-121-113	each	<b>£6.00</b>
3	1600-1800cc all <b>Diesel thermostats</b>	056-121-113/D	each	<b>£6.00</b>
4	Diesel / turbo diesel	044-121-113	each	<b>£7.20</b>
	O ring, 36mm diameter	037-121-687	each	<b>£5.00</b>

## FLANGES AND HOUSINGS



<b>Thermostat housing</b>				
	1050-1300cc 8/85- 7/90	030-121-117/D	each	<b>£20.00</b>
1	1050-1300cc 8/90-10/91	030-121-117/L	each	<b>£13.90</b>
	1600-1800cc all	055-121-121/F	each	<b>£3.50</b>
<b>Water outlets</b>				
2	1050-1300cc 8/85-10/91	030-121-121/B	each	<b>£3.50</b>
	1600-1800cc inc diesel 83-10/91	055-121-121/F	each	<b>£3.50</b>
<b>Water flanges</b>				
3	1600cc 83-10/91	037-121-132/B	each	<b>£6.10</b>
	1600-1800cc 83-10/91	026-121-144/E	each	<b>£4.50</b>
	1800 GTI 3/87 - 10/91	037-121-133/C	each	<b>£6.10</b>
	1800cc GTI 16v 2/86-10/91	027-121-133/E	each	<b>£6.60</b>
	1800cc GTI 16v	027-121-145/B	each	<b>£4.50</b>
4	diesel, 83-88	068-121-133/M	each	<b>£5.00</b>
	diesel, 89-92	068-121-132	each	<b>£6.95</b>
<b>Gaskets &amp; seals</b>				
5	1050-1300cc 83-84	052-121-091/A	each	<b>£1.70</b>
	1800cc GTI 8/89 >	027-121-139/A	each	<b>£2.20</b>
	O ring - 36mm diameter	037-121-687	each	<b>£5.00</b>

## METAL WATER PIPES



Please call to check availability of 1050-1300cc waterpipes.

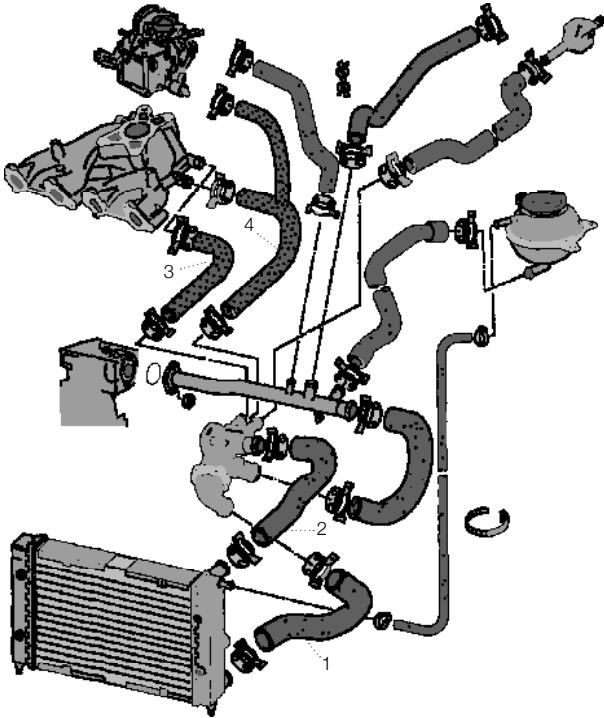
2	<b>1600-1800 carb water pipe, to heater 8/83-91</b>	027-121-065/C	each	<b>£19.00</b>
	<b>1800cc 8v inj water pump, to heater manifold</b>	027-121-065/D	each	<b>£19.00</b>
	<b>1800 16v to heater manifold</b>	027-121-065/K	each	<b>£19.00</b>

## HOSE CLIPS AND FITTINGS



<b>Screw type</b>				
1	12-22mm	N01-640-11	each	<b>£1.70</b>
2	16-27mm	N01-640-21	each	<b>£1.70</b>
	20-32mm	N01-640-31	each	<b>£1.70</b>
	23-35mm	N10-258-101	each	<b>£2.80</b>
	25-40mm	N01-640-41	each	<b>£1.70</b>
	30-45mm	N01-641-01	each	<b>£2.20</b>
3	<b>Connecting pipe, 15mm diameter</b>	171-121-140/D	each	<b>£3.60</b>

1300CC COOLANT HOSES



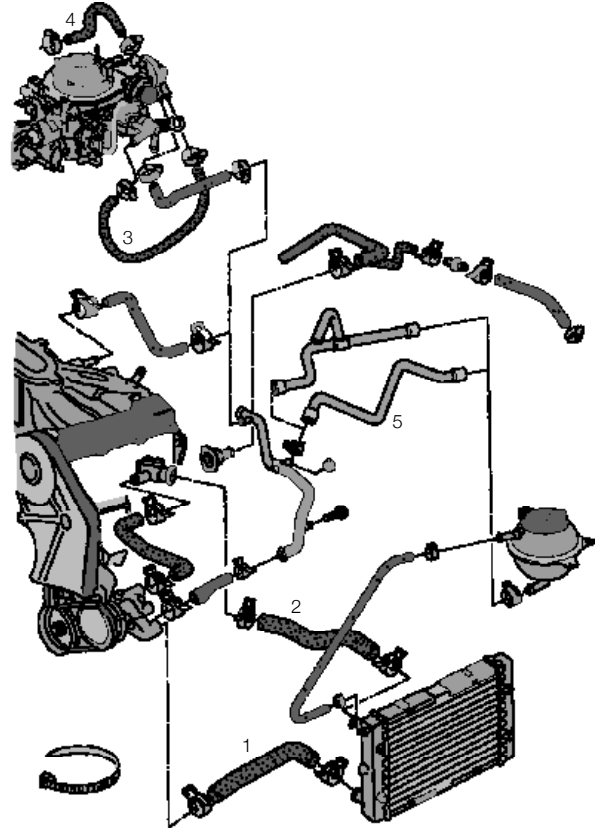
1	<b>Bottom rad hose</b>	191-121-051/J	each	£9.00
2	<b>Top rad hose</b>	191-121-101	each	£9.00
	<b>Top rad hose</b>	191-121-101/T	each	£9.00
3	<b>Thermostat, to inlet manifold, 1300cc</b>	030-121-056/G	each	£4.00
4	<b>Thermostat, to inlet manifold/heater, 1300cc</b>	030-121-054	each	£11.70

STANDARD WATER HOSE CLIPS



1	12-22mm	N01-640-11	each	£1.70
2	16-27mm	N01-640-21	each	£1.70
3	20-32mm	N01-640-31	each	£1.70
4	30-45mm	N01-641-01	each	£2.20

1600-1800CC COOLANT HOSES



1	<b>Bottom rad hose, 1600cc</b>	191-121-051/E	each	£9.00
	<b>Bottom rad hose, 1800cc carb 8/83-10/91 +gti +diesel</b>	191-121-051/F	each	£8.80
	<b>Bottom rad hose, diesel/t.diesel / all aircon models</b>	191-121-051/P	each	£9.90
	<b>Bottom rad hose, Golf Country</b>	191-121-051/S	each	£9.00
2	<b>Top rad hose, 1600cc carb</b>	191-121-101/P	each	£9.00
	<b>Top rad hose, 1800cc carb, gti 8v / diesel 8/83-10/91</b>	191-121-051/S	each	£9.00
	<b>Top rad hose, 1600cc td / 1800cc with aircon</b>	191-121-101/Q	each	£30.10
	<b>Top rad hose, 1600cc diesel/t diesel with aircon</b>	191-121-101/AK	each	£29.00
	<b>Top rad hose, 1800cc gti 16v, with air con</b>	191-121-101/AB	each	£12.00
3	<b>Wax stat, to carb pre heat 8/85-7/92</b>	026-121-062/C	each	£7.20
4	<b>From choke unit, 1600/1800cc carb, 8/85-7/92</b>	037-121-057	each	£2.20
	<b>Water pipe, to carb</b>	026-121-056/G	each	£8.30
5	<b>Water pipe to expansion tank</b>	535-121-109	each	£6.60



**UPGRADES & CUSTOM PARTS**

## SAMCO HOSES

	Blue	Black		Clip kits				
1	<b>Mk2 Gti 8v coolant</b> , set of 6	WC121TCS51/8V/C	WC121TCS51/8V/C/BLK	set	<b>£168.00</b>	WC121CK51/8V/C	set	<b>£30.00</b>
2	<b>16v GTi coolant</b> , set of 7	WC121TCS51/16V/C	WC121TCS51/16V/C/BLK	set	<b>£165.90</b>	WC121CK51/16V/C	set	<b>£31.20</b>
3	<b>G60 and Rallye supercharger hoses</b> , set of 3	WC121TCS136	WC121TCS136/BLK	set	<b>£225.80</b>	WC121CK136	set	<b>£26.90</b>
4	<b>VR6 coolant</b> (may require mod for fit to Mk2)	WC121TCS153/C	WC121TCS153/C/BLK	set	<b>£330.70</b>	WC121CK153/C	set	<b>£43.00</b>

**UPGRADES & CUSTOM PARTS**

## WEBER REPLACEMENT CARB KITS

1	<b>1600cc</b> , 83-91, replaces Pierburg 2E2	WC12922670916	each	<b>£310.00</b>
1	<b>1800cc</b> , 83-91, replaces Pierburg 2E2	WC1292267092	each	<b>£324.40</b>
2	<b>Replacement choke cable</b> , for Weber carb	WC129WCC	each	<b>£18.30</b>

**UPGRADES & CUSTOM PARTS**

## WEBER TWIN 45 CARB KITS

1	<b>1800-2000cc 8v SO</b>	WC129PWW206	kit	<b>£1,281.10</b>
	<b>1800-2000cc 16v SO</b>	WC129PWW205	kit	<b>£1,315.80</b>

## CARB REBUILD KITS

1	<b>Solex</b> , carb rebuild kit	036-198-569/S	kit	<b>0.00</b>
1	<b>Pierburg</b> , carb rebuild kit	049-198-571/S	kit	<b>£40.80</b>

## AUTOMATIC CHOKE PULL-DOWN KITS

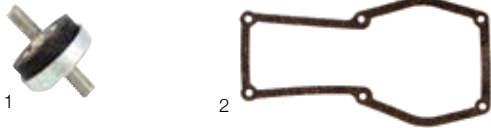
1	<b>1300cc</b> , MH, 2G	030-129-220/C	each	<b>£10.00</b>
2	<b>1600cc</b> , engine codes: Ew, EZ >9/84, GU >7/85, 026-129-220		each	<b>£10.00</b>
3	<b>1600-1800cc</b> , engine codes: EZ 10/84>, GU 8/85>, RF, ABN	030-129-220/A	each	<b>£10.00</b>

## STANDARD CARB FLANGES

1	<b>1050-1300cc</b> , 8/83-7/85	052-129-765/B	each	<b>£29.10</b>
2	<b>1000-1300cc</b> , 8/85-7/87	030-129-765/C	each	<b>£14.00</b>
3	<b>1050cc</b> , 10/85-10/91	030-129-765/C	each	<b>£14.00</b>
4	<b>1300cc</b> , 8/83-10/91	052-129-765/E	each	<b>£19.00</b>
5	<b>1600-1800cc</b> , 8/83>	026-129-761/A	each	<b>£24.50</b>
6	<b>1800cc</b> , 11/87> (single point ignition only)	050-129-761/F	each	<b>£19.95</b>



**AIRBOX MOUNTS/ SPARES**



1	1500-1800cc, 8/75-10/91, exc. GTi	443-121-273/E	each	£4.40
2	Airbox to fuel, metering head gasket, GTi K-Jet	049-133-379/A	each	£9.40
	Air hose, filter-throttle body, GTi, digifant 87>	191-129-627/A	each	£132.50
	Valve for air box, 1600/1800cc	035-129-630/B	each	£48.40

**AIR INTAKE**



	1600-1800cc, from wing to filter	191-129-627	each	£76.30
1	GTi 8v, K-Jet	027-133-357/A	each	£9.40
2	GTi 16v, all	051-133-357/B	each	£15.20
	Air filter to throttle body, 8v digifant	191-129-627/AB	each	£132.50

**WAX 'STAT**



1	1600-1800cc, wax 'stat, 12mm hose	026-129-243/C	each	£104.00
---	-----------------------------------	---------------	------	---------

**STANDARD AIR FILTERS**



1	1100cc, 8/83-7/85, large round type	056-129-620	each	£5.50
	1300, 8/83>	056-129-620	each	£5.50
2	1600-1800cc, carb 8/77>	055-129-620/A	each	£6.60
	1800cc, GTi 8v, >2/87	113-129-620	each	£5.50
	1800cc, GTi 8v, 3/87>	191-129-620	each	£7.00
	1800cc, GTi 16v, all years	191-129-620	each	£7.00
3	Diesel, inc. TF, 8/81>	069-129-620	each	£7.70

**UPGRADES & CUSTOM PARTS** **K&N FILTERS**



1	1100/1300cc, (round 279mm dia.)	WC129KNE-1210	each	£53.40
2	1100/1300cc, (rectangular)	WC129KN33-2001	each	£43.00
3	1600/1800cc, carb models	WC129KN33-2092	each	£33.30
4	1.6D/TD 88-91, 8v GTi 87>, 16v GTi 89>, G60/Rallye	WC129KN33-2029	each	£48.40

**UPGRADES & CUSTOM PARTS** **K&N BOLT ON FILTERS**



1	1100/1300/1500/1600cc, Solex PIC/PICT carb	WC129KNRA-071V	each	£48.40
2	1300/1600/1800cc, Pierburg 2E3 carb	WC129KN56-9159	each	£65.10
3	Weber, 32/34DMTL replacement carb	WC129KN56-9025	each	£92.50

**UPGRADES & CUSTOM PARTS** **K&N INDUCTION KITS**



1	Gti 8v, digifant 87>	WC129KN57-0011	each	£82.90
2	G60/ Rallye	WC129KN57-0219	each	£87.10
3	Filter cleaning kit	WC129KN995000	each	£14.00

**UPGRADES & CUSTOM PARTS** **PIPERCROSS INDUCTION KITS**



1	Gti 8/16v, K-Jet	WC129PK056C	each	£101.80
	Gti 8v, digifant 87>	WC129PK052B	each	£91.30
2	Gti 16v, 89>	WC129PK223C	each	£101.80
	G60/ Rallye	WC129PK061B	each	£91.30

**UPGRADES & CUSTOM PARTS** **K&N FILTERS**

**UPGRADES & CUSTOM PARTS** **PIPERCROSS PANEL FILTERS**



	1050-1300cc, 1/84>, round 62mm tall	WC129PX1225	each	£36.50
1	1600-1800cc, D/TD, GTi K-Jet + 16v/D/TD	WC129PP38	each	£36.50
2	1600-1800cc, carb, oblong type	WC129PP1217	each	£36.50
	1800cc, GTi, digifant model, inc G60, oblong type	WC129PP52	each	£39.80
3	Filter cleaning kit	WC129PK09000	each	£12.10



**UPGRADES  
& CUSTOM PARTS**

**WEBER TWIN 45 CARB KITS**



1 1800-2000cc 8v SO

WC129PW206

kit **£1,281.10**

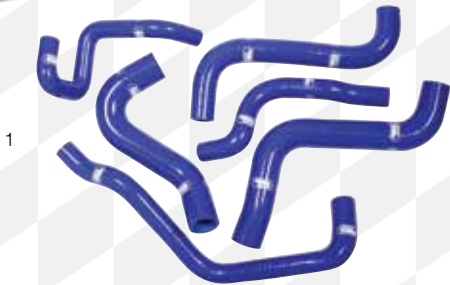
1800-2000cc 16v SO

WC129PW205

kit **£1,315.80**

**UPGRADES  
& CUSTOM PARTS**

**SAMCO HOSES**



**Blue**

**Black**

**Clip kits**

1	<b>Mk2 Gti 8v coolant</b> , set of 6	WC121TCS51/8V/C	WC121TCS51/8V/C/BLK	set	<b>£168.00</b>	WC121CK51/8V/C	set	<b>£30.00</b>
2	<b>16v GTi coolant</b> , set of 7	WC121TCS51/16V/C	WC121TCS51/16V/C/BLK	set	<b>£165.90</b>	WC121CK51/16V/C	set	<b>£31.20</b>
3	<b>G60 and Rallye supercharger hoses</b> , set of 3	WC121TCS136	WC121TCS136/BLK	set	<b>£225.80</b>	WC121CK136	set	<b>£26.90</b>
4	<b>VR6 coolant</b> (may require mod for fit to Mk2)	WC121TCS153/C	WC121TCS153/C/BLK	set	<b>£330.70</b>	WC121CK153/C	set	<b>£43.00</b>



## CARB REBUILD KITS

1



**Solex**, carb rebuild kit 036-198-569/S kit **0.00**

1 **Pierburg**, carb rebuild kit 049-198-571/S kit **£40.80**

## AUTOMATIC CHOKE PULL-DOWN KITS



1	<b>1300cc</b> , MH, 2G	030-129-220/C	each	<b>£10.00</b>
2	<b>1600cc</b> , engine codes: Ew, EZ >9/84, GU >7/85, 026-129-220		each	<b>£10.00</b>
3	<b>1600-1800cc</b> , engine codes: EZ 10/84>, GU 8/85>, RF, ABN	030-129-220/A	each	<b>£10.00</b>

## STANDARD CARB FLANGES



1	<b>1050-1300cc</b> , 8/83-7/85	052-129-765/B	each	<b>£29.10</b>
2	<b>1000-1300cc</b> , 8/85-7/87	030-129-765/C	each	<b>£14.00</b>
3	<b>1050cc</b> , 10/85-10/91	030-129-765/C	each	<b>£14.00</b>

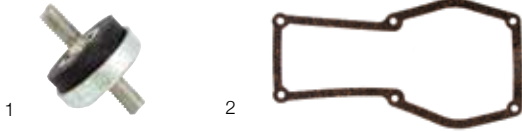
## AIR INTAKE



	<b>1600-1800cc</b> , from wing to filter	191-129-627	each	<b>£76.30</b>
1	<b>GTi 8v</b> , K-Jet	027-133-357/A	each	<b>£9.40</b>
2	<b>GTi 16v</b> , all	051-133-357/B	each	<b>£15.20</b>
	<b>Air filter to throttle body</b> , 8v digitant	191-129-627/AB	each	<b>£132.50</b>



## AIRBOX MOUNTS/ SPARES



1	<b>1500-1800cc</b> , 8/75-10/91, exc. GTi	443-121-273/E	each	<b>£4.40</b>
2	<b>Airbox to fuel</b> , metering head gasket, GTi K-Jet	049-133-379/A	each	<b>£9.40</b>
	<b>Air hose</b> , filter-throttle body, GTi, digifant 87>	191-129-627/A	each	<b>£132.50</b>
	<b>Valve for air box</b> , 1600/1800cc	035-129-630/B	each	<b>£48.40</b>

## WAX 'STAT



1	<b>1600-1800cc</b> , wax 'stat, 12mm hose	026-129-243/C	each	<b>£104.00</b>
---	---	---------------	------	----------------

## STANDARD AIR FILTERS



1	<b>1100cc</b> , 8/83-7/85, large round type	056-129-620	each	<b>£5.50</b>
	<b>1300</b> , 8/83>	056-129-620	each	<b>£5.50</b>
2	<b>1600-1800cc</b> , carb 8/77>	055-129-620/A	each	<b>£6.60</b>
	<b>1800cc</b> , GTi 8v, >2/87	113-129-620	each	<b>£5.50</b>

	<b>1800cc</b> , GTi 8v, 3/87>	191-129-620	each	<b>£7.00</b>
	<b>1800cc</b> , GTi 16v, all years	191-129-620	each	<b>£7.00</b>
3	<b>Diesel</b> , inc. TF, 8/81>	069-129-620	each	<b>£7.70</b>

**UPGRADES  
& CUSTOM PARTS**

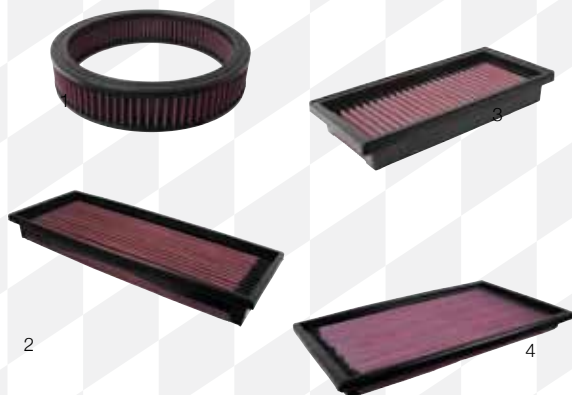
## WEBER REPLACEMENT CARB KITS



	<b>1600cc</b> , 83-91, replaces Pierburg 2E2	WC12922670916	each	<b>£310.00</b>
1	<b>1800cc</b> , 83-91, replaces Pierburg 2E2	WC1292267092	each	<b>£324.40</b>
2	<b>Replacement choke cable</b> , for Weber carb	WC129WCC	each	<b>£18.30</b>

## UPGRADES & CUSTOM PARTS

### K&N FILTERS



1	<b>1100/1300cc</b> , (round 279mm dia.)	WC129KNE-1210	each	<b>£53.40</b>
2	<b>1100/1300cc</b> , (rectangular)	WC129KN33-2001	each	<b>£43.00</b>
3	<b>1600/1800cc</b> , carb models	WC129KN33-2092	each	<b>£33.30</b>
4	<b>1.6D/TD 88-91</b> , 8v GTi 87>, 16v GTi 89>, G60/Rallye	WC129KN33-2029	each	<b>£48.40</b>

## UPGRADES & CUSTOM PARTS



1	<b>1100/1300/1500/1600cc</b> , Solex PIC/PICT carb	WC129KNRA-071V	each	<b>£48.40</b>
2	<b>1300/1600/1800cc</b> , Pierburg 2E3 carb	WC129KN56-9159	each	<b>£65.10</b>
3	<b>Weber</b> , 32/34DMTL replacement carb	WC129KN56-9025	each	<b>£92.50</b>

## UPGRADES & CUSTOM PARTS

### K&N INDUCTION KITS



1	<b>Gti 8v</b> , digifant 87>	WC129KN57-0011	each	<b>£82.90</b>
2	<b>G60/ Rallye</b>	WC129KN57-0219	each	<b>£87.10</b>
3	<b>Filter cleaning kit</b>	WC129KN995000	each	<b>£14.00</b>

## UPGRADES & CUSTOM PARTS

### PIPERCROSS INDUCTION KITS



1	<b>Gti 8/16v</b> , K-Jet	WC129PK056C	each	<b>£101.80</b>
	<b>Gti 8v</b> , digifant 87>	WC129PK052B	each	<b>£91.30</b>
2	<b>Gti 16v</b> , 89>	WC129PK223C	each	<b>£101.80</b>
	<b>G60/ Rallye</b>	WC129PK061B	each	<b>£91.30</b>

## UPGRADES & CUSTOM PARTS

### PIPERCROSS PANEL FILTERS



	<b>1050-1300cc</b> , 1/84>, round 62mm tall	WC129PX1225	each	<b>£36.50</b>
1	<b>1600-1800cc</b> , D/TD, GTi K-Jet + 16v/D/TD	WC129PP38	each	<b>£36.50</b>
2	<b>1600-1800cc</b> , carb, oblong type	WC129PP1217	each	<b>£36.50</b>
	<b>1800cc</b> , GTi, digifant model, inc G60, oblong type	WC129PP52	each	<b>£39.80</b>
3	<b>Filter cleaning kit</b>	WC129PK09000	each	<b>£12.10</b>



# FUEL

Are you using the correct fuel for your Golf? All GTI models need 98ron super unleaded or you'll risk damage to the engine.

When was your fuel filter last changed? It can make a huge difference!



Not getting fuel to the engine? Carb models have a mechanical pump on the engine. Injection models have a lift pump in the fuel tank and an external pump too.

Please call to check availability of fuel hoses for diesel and injection models.

## MECHANICAL



	<b>1050-1300cc, carb, 83-87</b>	052-127-025/B	each	<b>£16.00</b>
1	<b>1050-1300cc, carb, 88-91</b>	030-127-025	each	<b>£16.00</b>
2	<b>1600cc-1800cc, carb, 8/83-7/92</b>	026-127-025/A	each	<b>£45.10</b>
	<b>Pump gasket, 1050-1300cc 83-86</b>	052-127-311	each	<b>£0.70</b>
	<b>Pump gasket, 1050-1300cc 86-91</b>	030-127-311	each	<b>£0.70</b>
3	<b>Pump gasket, 1600-1800cc</b>	049-127-311	each	<b>£0.80</b>

## INJECTION/ ELECTRIC



1	<b>Fuel pump, K-jet GTI 8v 84-87, 16v all, external 60mm</b>	191-906-091/H	each	<b>£118.00</b>
2	<b>Fuel pump, digifant 1800cc, 87-91</b>	191-906-060	each	<b>£29.00</b>
3	<b>Fuel pressure accumulator, 16v models</b>	431-133-441/C	each	<b>£163.80</b>
4	<b>Rubber mount, for fuel pump carrier, all models</b>	191-201-256	each	<b>£2.00</b>
5	<b>Lift pump, GTI 8v/16v</b>	191-906-092/A	each	<b>£20.90</b>

Some fuel pipes are available for injection models, please call with your requirements and we can check price and availability for you.

## PETROL FUEL FILTERS



	<b>1050-1800cc, carb models, 74-93</b>	251-201-511/G	each	<b>£2.75</b>
1	<b>Mk2 GTI 8/16v, 8/83-2/87</b>	811-133-511/A	each	<b>£14.00</b>
2	<b>Mk2 GTI 8v, 3/87-10/91</b>	1H0-201-511/A	each	<b>£9.90</b>
	<b>Mk2 GTI 16v, 89-91</b>	447-133-511	each	<b>£11.00</b>

## INJECTORS



1	<b>Injector &gt;7/84</b>	049-133-551/A	each	<b>£55.20</b>
	Insert for above	063-133-555/A	each	<b>£8.95</b>
	Seal for above	N01-384-43	each	<b>£0.50</b>
2	<b>Injector 8/84&gt; K-Jet 8v</b>	026-133-551	each	<b>£95.00</b>
	Insert, upper	034-133-555/A	each	<b>£9.95</b>
	Insert, lower	035-133-554	each	<b>£1.50</b>
	Seal for above	035-133-557	each	<b>£0.95</b>
	<b>Injector, GTI 8v digifant</b>	037-906-031/R	each	<b>£195.95</b>
	Seal set (top and bottom)	030-198-031	each	<b>£4.95</b>
	Insert	037-133-555/A	each	<b>£4.95</b>
	<b>Injector, GTI 16v all</b>	026-133-551	each	<b>£95.00</b>
	Seal, upper	035-133-557/A	each	<b>£0.95</b>
	Insert, upper	034-133-555/A	each	<b>£9.95</b>
	Insert, lower	035-133-554	each	<b>£1.50</b>
	Seal, lower	035-133-557	each	<b>£0.95</b>

## FUEL HOSE (CARB ENGINES) PER METRE



1	<b>Rubber fuel hose, 5mm</b>	N90-099-601	each	<b>£3.00</b>
2	<b>Rubber fuel hose, 7mm</b>	N02-028-11	each	<b>£2.50</b>
	<b>Stainless steel, over-braided Hose, 6mm</b>	AC1278812	each	<b>£13.50</b>
3	<b>Stainless steel, over-braided Hose, 8mm</b>	AC127800	each	<b>£15.00</b>
4	<b>Hose clips, stainless steel</b>	AC1279224	each	<b>£2.50</b>
	<b>J Piece, for 5mm hose</b>	113-127-563	each	<b>£3.30</b>



FUEL CAPS



1

1 Fuel cap, locking	191-201-551/A	each	£7.70
Fuel cap, non locking	1H0-201-553/B	each	£7.50

FUEL TANK STRAPS/ FITTINGS



1



2



3

1 Fuel tank strap, Kit (1 left, 2 right)	1H0-201-650	kit	£23.60
2 Retaining bracket, for two right straps	191-201-661	each	£6.60
Bolts, for all straps/ brackets. 5 req/set	N01-024-222	each	£0.80
3 Washer for fittings, 5 Req/set	211-843-661	each	£0.70

FUEL GAUGE SENDERS



1

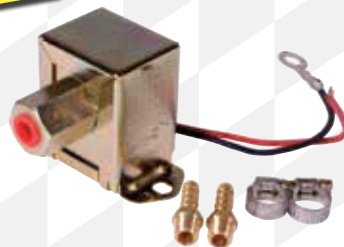


2

1 Carb models, 8/83-7/88	191-919-051/D	each	£88.90
1800cc, GTi 8/16v, >7/88	191-919-051/L	each	CALL
2 Seal, sender to tank	6N0-919-133	each	£13.20
Diesel, 8/88-7/92	191-919-051/BF	each	£75.00
Carb models, 8/88-7/92	191-919-051/BE	each	£88.90
Injection, 8/88-7/92	191-919-051/BA	each	NLA

UPGRADES & CUSTOM PARTS

ELECTRIC FUEL PUMPS



1



2



3

1 Facet electric pump, including fittings	AC127200	each	£44.95
2 CB rotary pump, 3.5psi	AC1273193	each	£71.80
3 Weber, for twin 40s or 45s, 2.5-4.5psi	WC127WFP502	each	£54.80

MISC.



1



2

Fuel filler, neck to body boot	191-201-253/B	each	NCA
Securing ring, for filler neck boot	1H0-201-255	each	£1.95
1 Unleaded only sticker, 8/89-7/92	000-010-018/C	each	£5.00
2 Fuel vapour trap, 1600-1800cc carb model	026-127-177	each	£16.10





# EXHAUSTS

Want to release more power?  
A stainless steel 4 branch manifold will do just that.



Please call to discuss Jetta, Syncro and G60 Rallye Exhausts.

Think long term - stainless steel exhausts are forever and will only add value to your car!

Got a later model car? Is it fitted with a catalyst? Please check before ordering.

**vwheritage** OEM PLUS



SSP stainless steel rear silencer 8v GTi,  
WC2536098V  
£199.00 each



SSP stainless steel rear silencer 16v GTi,  
WC25360916V  
£199.00 each

## 1000 - 1300CC



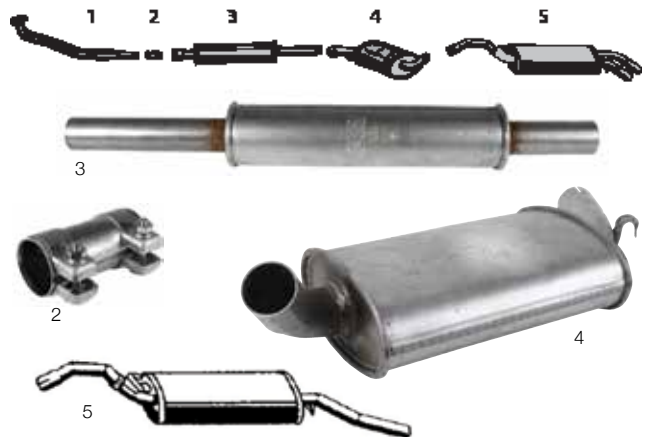
1	<b>Front pipe</b>	8/83-7/85	191-253-091	8/85-7/92	191-253-091/F	each	£29.00
2	<b>Flexi pipe</b>	8/83-7/92	191-253-177/A			each	£15.00
3	<b>Connecting pipe</b>	8/83-7/92	191-253-141/E			each	£8.80
4	<b>Intermediate pipe</b>	8/83-7/92	191-253-203/D			each	£9.40
5	<b>Centre silencer</b>	8/83-7/85	191-253-209/A	8/85-7/92	191-253-409/D	each	£29.00
6	<b>Rear silencer</b>	8/83-7/85	191-253-609/BL	8/85-7/92	191-253-609/BJ	each	£49.00

## 1600CC 8/83-10/91)



1	<b>Front pipe</b>		191-253-091/AQ	each	£29.00
2	<b>Connecting pipe</b>		191-253-141/E	each	£8.80
	<b>Mid section</b>		191-253-409/D	each	£31.00
3	<b>Rear silencer</b>		191-253-609/BL	each	£49.00

## GTI 8V >85



1	<b>Front pipe</b>	8/83-8/85	191-253-091/B	each	£29.70
2	<b>Connecting pipe</b>	8/83-10/91	191-253-141/F	each	£11.00
3	<b>Front silencer</b>	8/83-8/88	191-253-209/B	each	£30.00
4	<b>Centre silencer</b>	8/83-8/88	191-253-409	each	£31.00
5	<b>Rear silencer</b>	8/83-1/85	191-253-609/BM	each	£49.95

## 1800CC CARB



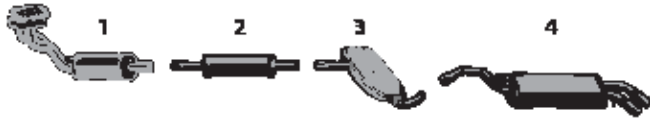
1	<b>Front pipe</b>	8/83-10/91	191-253-091/BD	each	£29.70		
2	<b>Connecting pipe</b>	8/83-10/91	191-253-141/E	each	£8.80		
3	<b>Front silencer</b>	8/83-8/88	191-253-209/B	8/88-10/91	191-253-209/N	each	£30.00
4	<b>Centre silencer</b>	8/83-8/88	191-253-409	8/88-10/91	191-253-409/A	each	£31.00
5	<b>Rear silencer</b>	8/83-10/91	191-253-609/BM	each	£49.95		

GTI 8V 85>



1	Front pipe	8/85-10/91	191-253-091/C	each	£95.00
2	Connecting pipe	8/85-10/91	191-253-141/F	each	£11.00
3	Front silencer	> 8/87	191-253-209/N	each	£29.00
4	Centre silencer	8/85-10/91	191-253-409/A	each	£32.00
5	Rear silencer	1/85-10/91	191-253-609/AE	each	£68.40

GTI 16V



1	Front pipe	2/86-10/91	191-253-208/A	each	NCA
2	Front silencer	2/86-10/91	191-253-209/J	each	£33.00
3	Centre silencer	2/86-10/91	191-253-409/C	each	£59.00
4	Rear silencer	2/86-10/91	191-253-609/L	each	£109.94

EXHAUST MOUNTS

Please call to discuss G60 & Rallye exhausts & fittings.



	Gasket for downpipe, 1050/1300cc twin pipe	036-253-115/A	each	£4.50
	Downpipe fitting kit			
1	1600-1800cc, single pipe type,	161-298-115	each	£9.00
	Gasket for downpipe, to manifold, twin pipe	533-253-115/C	each	£6.50
	Nut for above, M10, 6 req	N10-209-005	each	£0.80
	Gasket, turbo to downpipe, 1.6TD	893-253-115	each	£3.95
2	Exhaust rubber, donut type	191-253-147/A	each	£1.50
3	Exhaust rubber, 4 way type	191-253-147/B	each	£0.95
	Rubber buffer, rear silencer	431-253-149/A	each	£1.40

1600CC N/A DIESEL / TURBO DIESEL



<b>Diesel</b>					
1	Front pipe	8/83-7/89	191-253-091/B	each	£29.70
2	Connecting pipe	8/83-7/89	191-253-141/E	each	£8.80
3	Centre silencer	8/83-7/89	191-253-209/A	each	£29.00
4	Rear silencer	8/83-7/89	191-253-609/BL	each	£49.00
<b>Turbo Diesel</b>					
1	Front pipe	8/83-10-91	191-253-091/E	each	CALL
2	Connecting pipe	8/83-10-91	191-253-141/F	each	£11.00
3	Centre silencer	8/83-10-91	191-253-209/B	each	£30.00
4	Rear silencer	8/83-10-91	191-253-609/F	each	£49.00

UPGRADES & CUSTOM PARTS

PERFORMANCE EXHAUSTS



<b>Jetex</b>		
	All 8v inc. diesel, single oval tailpipe, 70x90mm	WC253J31-H each £233.10
	All 8v inc. diesel, twin round 80mm	WC253J31-H2 each £266.80
1	All 8v inc. diesel, twin stainless steel tailpipe. 2x 80mm	WC253J31-H2R each £334.80
	16v, G60 (not Syncro), twin round tailpipes. 2x 80mm	WC253J28-H each £415.96
2	16v, G60 (not Syncro), twin round stainless steel tailpipe, 2x 80mm, 3 box system	WC253J28-HR each £326.60
	16v, G60 (not syncro), twin round stainless steel tailpipe. 2x 80mm (2 silencers)	WC253J28-HRB each £326.60
	Jetta Mk2, 1.3/1.6/1.8l 8v, oval tailpipe. 70x90mm	WC253J31-H1 each £230.00

EXHAUST CLAMPS



1	49.5mm	165-253-139	each	£3.00
	54.5mm	191-253-139/G	each	£3.30
2	59.5mm	1H0-253-139/D	each	£3.30
3	55-59mm stainless	WC253T400	each	£5.50

UPGRADES & CUSTOM PARTS

EXHAUST MANIFOLDS



1	1800cc 8v	WC251640	each	£354.30
2	G60, excluding Rallye	WC251641	each	£354.30



# TRANSMISSION AND DRIVETRAIN

Don't forget your gearbox oil. When was it last changed?

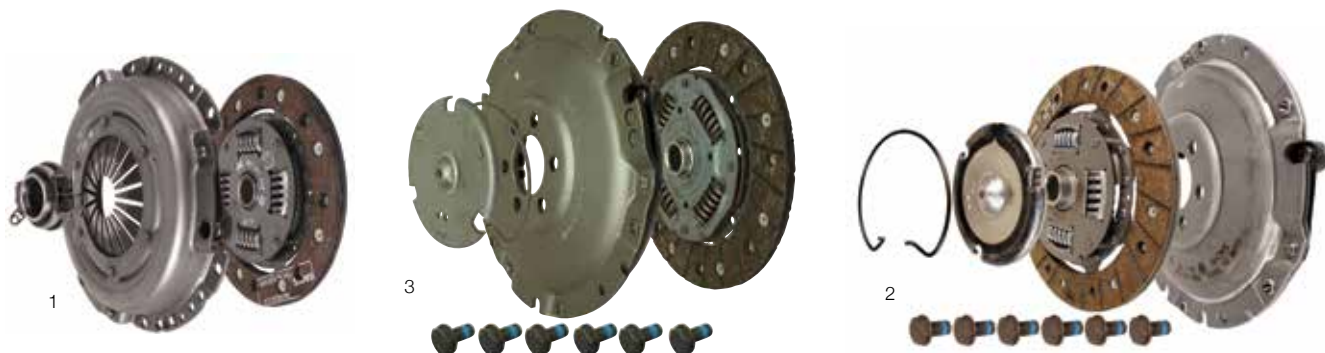


Need CV joints? Measuring your old ones will ensure we can supply the right one first time.

Need a clutch cable or pedal rubber? Look in the cables and controls section.

Not taken your old clutch out yet? Your full chassis and engine number will help us identify which one you need.

## STANDARD CLUTCH KITS



1	<b>1000cc</b> , 11/83-8/85, 180mm	052-198-141/A	each	<b>£73.00</b>
	<b>1000cc</b> , 8/85-10/91, 1300cc, 8/83-12/87, 190mm.	052-198-141/D	each	<b>£88.00</b>
	<b>1300cc</b> , 8/83-06/87, 190mm, fits engine number all HK engine codes, >GT009203	052-198-141/A	each	<b>£73.00</b>
	<b>1300cc</b> , 89-92, 190mm, fits engine number. 2G	052-198-141/EX	each	<b>£77.70</b>
2	<b>1600cc</b> , 10/86-07/92, 190mm, all petrol engines	055-198-141/A	each	<b>£72.40</b>
	<b>1800cc</b> , 8/84-10/91, 210mm, all petrol engines exc. 16v & G60/Rallye	027-198-141/A	each	<b>£77.00</b>

	<b>1800cc</b> , 16v, 2/86-10/91, 210mm	027-198-141/C	each	<b>£81.00</b>
	<b>1800cc</b> , G60/Rallye, 4/90-7/91, 228mm	038-198-141	each	<b>£132.30</b>
	<b>1600cc</b> , D/TD, >07/89, 200mm, fits engine numbers JP, JR, ME, MF	068-198-141/A	each	<b>£86.10</b>
3	<b>1600cc</b> , TD, 08/89>, 200mm, fits engine numbers JP, JR, ME, MF, 1V	068-198-141/E	each	<b>£95.00</b>
	<b>1600TD</b> , 4/89-10/91, 210mm, fits engine numbers RA, SB	068-198-141/F	each	<b>£100.80</b>

## CLUTCH AND GEARBOX COMPONENTS



1	<b>Gearbox inspection plug</b> , 1050-1300cc, manual	084-301-115	each	<b>£5.00</b>
2	<b>Gearbox inspection plug</b> , 1600-1800cc, manual	020-301-129/B	each	<b>£8.24</b>
3	<b>Cap</b> , for above	020-301-132	each	<b>£2.20</b>

4	<b>Cover</b> , for clutch release bearing, 5 speed	020-141-073/A	each	<b>£8.80</b>
5	<b>Clutch guide tube</b> , 1600-1800cc	020-141-181	each	<b>£3.90</b>
	<b>Release bearing</b> , 1050/1300cc	084-141-165/B	each	<b>£40.80</b>
6	<b>Oil seal</b> , for shift rod, all manual models	020-301-227/C	each	<b>£7.50</b>
7	<b>Gearbox flange</b> , seal 1020 box	020-301-189	each	<b>£1.50</b>
	<b>Gearbox flange</b> , seal 02A box	02A-301-189	each	<b>£1.95</b>

## DRIVETRAIN



	<b>CV joint, outer kit, 1050-1800cc, carb, 8/83-10/91, 81mm</b>	191-498-099/F	each	<b>£23.70</b>
	<b>CV joint, outer kit, 1800cc GTi 8+16v, 8/83-10/91, 90mm</b>	357-498-099	each	<b>£42.30</b>
1	<b>CV joint, inner kit, 1050-1300cc, 8/83-10/91, 92mm</b>	171-498-103/D	each	<b>£35.00</b>
2	<b>CV joint, inner kit, all 1600-1800cc &gt;88, all diesel, 1800cc GTi &gt;83, 94mm</b>	171-498-103/C	each	<b>£35.00</b>
3	<b>CV joint, inner kit, 1800cc GTi 8/16v, 8/83-10-91, 1.8 89&gt;, 100mm LHS</b>	191-498-103	each	<b>£59.00</b>
	<b>CV joint, inner kit, 1800cc GTi 8/16v, 8/83-10-91, 1.8 89&gt;, 100mm RHS</b>	191-498-104	each	<b>£59.00</b>
4	<b>CV boot, outer 81mm</b>	171-498-203/S	each	<b>£8.50</b>
	<b>CV boot, outer 90mm</b>	357-498-203/A	each	<b>£8.70</b>
	<b>CV boot, outer 100mm</b>	321-498-203/A	each	<b>£11.00</b>
	<b>CV boot, inner 92mm</b>	171-498-201/A	each	<b>£10.00</b>
5	<b>CV boot, inner 94mm</b>	191-498-201/D	each	<b>£8.00</b>
	<b>CV boot, inner 100mm, left</b>	1K0-498-201	each	<b>£13.00</b>
	<b>CV boot, inner Right, GTi/16v/G60</b>	191-498-202/A	each	<b>£13.00</b>
	<b>CV boot, inner Left, GTi/16v/G60</b>	191-498-201	each	<b>£18.00</b>
6	<b>Gearbox flange seal kit</b>	020-498-085/G	each	<b>£10.50</b>
	<b>Bolt for CV joint inner</b>	893-407-237	each	<b>£1.00</b>

**UPGRADES  
& CUSTOM PARTS**

## BLACK DIAMOND CLUTCH KITS



	<b>1800cc, 8v, 210mm</b>	WC141DPC8013	each	<b>£156.50</b>
1	<b>1800cc, 16v, 210mm</b>	WC141DPC8009	each	<b>£165.90</b>
	<b>1800cc, G60/Syncro, 228mm</b>	WC141DPC8029	each	<b>£230.00</b>
	<b>2800/2900mm, VR6, 228mm</b>	WC141DPC8036	each	<b>£230.00</b>

## CLUTCH ALIGNMENT TOOLS



1	<b>All models exc. 16v</b>	WC0005378	each	<b>£4.40</b>
2	<b>16v models</b>	WC0005403	each	<b>£4.40</b>
3	<b>1050-1300cc models</b>	AC000143	each	<b>£3.50</b>





# STEERING AND SUSPENSION

After fitting new suspension or steering components get your tracking setup correctly or you'll be wearing tyres out before you know it!



Replacing your suspension - make sure you renew the top mounts at the same time.

Want to fit a new steering wheel - check to see if your car is large or small spline.

Check out our brand new range of OEM look polyurethane bushes.



OEM look urethane bush kit WC407G200  
£259.95 each



PAS fluid resevoir 7/88  
191-422-371/D  
£10.90 each



Wishbone repair kit  
191-498-153/S  
£29.10 each

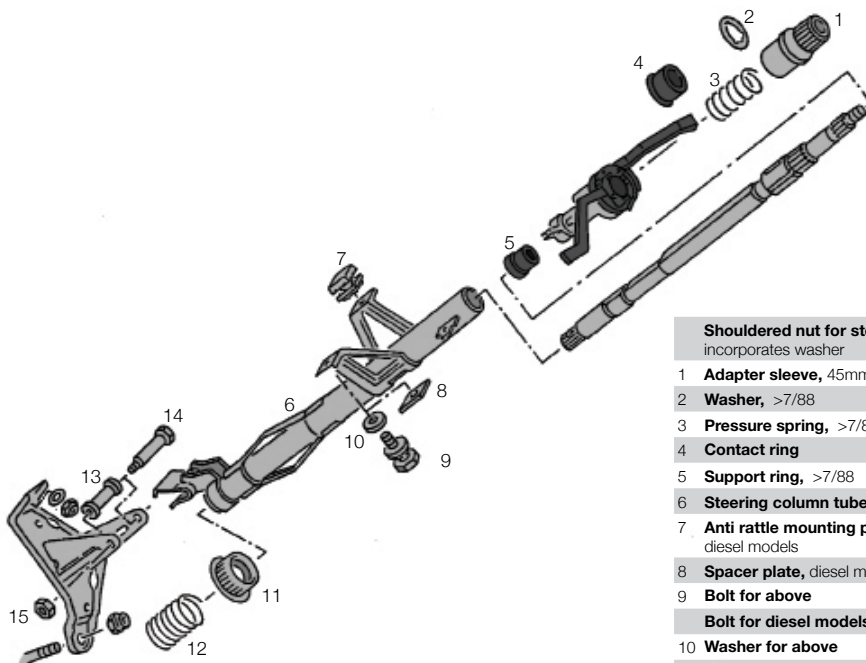


G60 top mount  
357-412-329  
£10.20 each



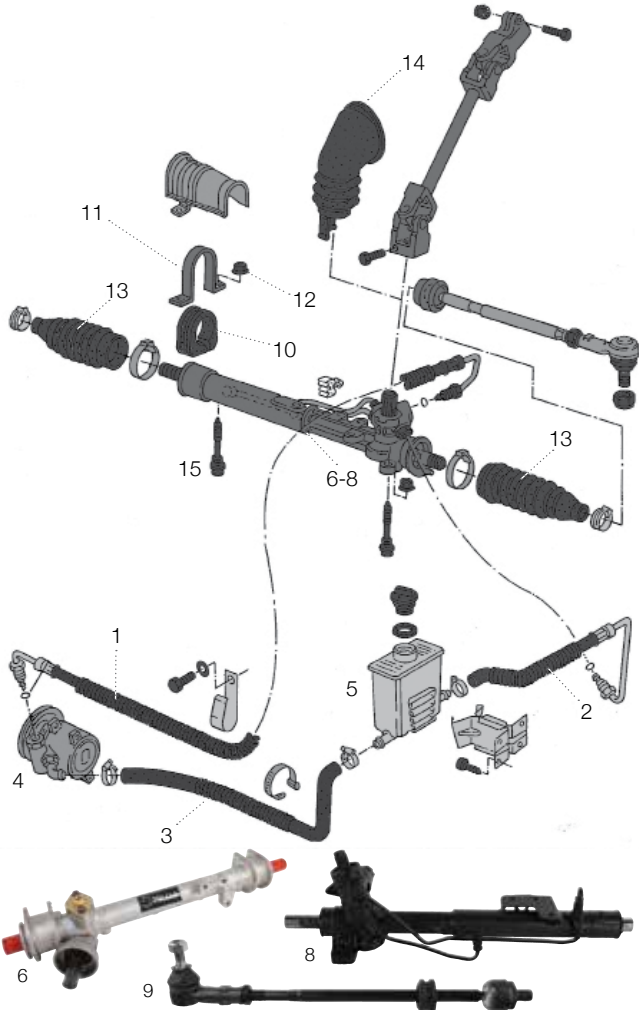
Wiechers strut brace,  
3pc steel GTI 8V  
WC411W511011  
£86.10 each

## STEERING COLUMN



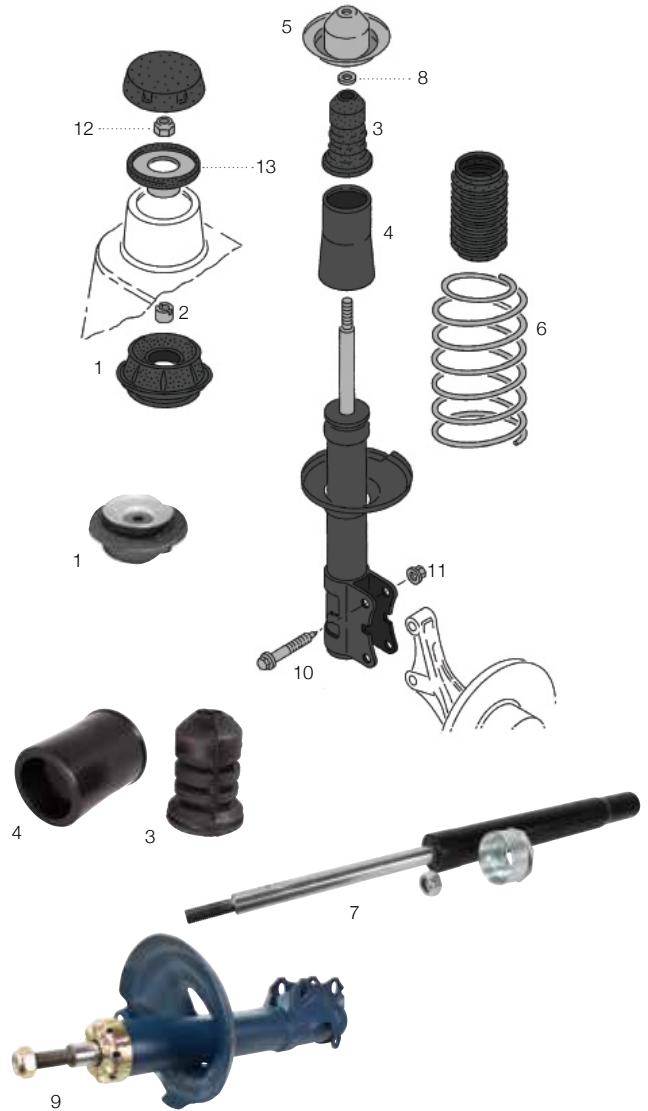
	<b>Shouldered nut for steering wheel, incorporates washer</b>	N90-550-003	each	<b>£3.95</b>
1	<b>Adapter sleeve, 45mm 8/89&gt;</b>	191-419-514	each	<b>£24.95</b>
2	<b>Washer, &gt;7/88</b>	N90-182-401	each	<b>£1.25</b>
3	<b>Pressure spring, &gt;7/88</b>	823-419-667	each	<b>£1.65</b>
4	<b>Contact ring</b>	811-419-548/A	each	<b>£3.95</b>
5	<b>Support ring, &gt;7/88</b>	811-419-341/D	each	<b>£3.50</b>
6	<b>Steering column tube, fixed type .7/89</b>	165-419-563/B	each	<b>£69.95</b>
7	<b>Anti rattle mounting pad, tube to chassis, diesel models</b>	191-419-711	each	<b>£2.25</b>
8	<b>Spacer plate, diesel models</b>	191-419-713/A	each	<b>£0.95</b>
9	<b>Bolt for above</b>	411-417-549	each	<b>£5.00</b>
	<b>Bolt for diesel models</b>	191-419-549/A	each	<b>£8.95</b>
10	<b>Washer for above</b>	111-129-720	each	<b>£0.80</b>
11	<b>Bearing ring, base of column tube</b>	171-419-549	each	<b>£7.70</b>
12	<b>Pressure spring, base of column tube</b>	165-419-343	each	<b>£1.50</b>
13	<b>Horizontal bearing bush, base of column tube</b>	192-419-599	each	<b>NLA</b>
14	<b>Fitted bolt for above</b>	N90-252-301	each	<b>£4.50</b>
15	<b>Nut for above</b>	N01-118-312	each	<b>£0.50</b>

## STEERING



1	<b>Power steering hose</b> , pump to rack, high pressure hose, RHD	192-422-893/A	each	<b>£176.30</b>
2	<b>Power steering hose</b> , rack to reservoir hose, RHD	192-422-891/A	each	<b>£116.20</b>
3	<b>Power steering hose</b> , reservoir to pump, suction hose	191-422-881	each	<b>£99.00</b>
4	<b>Power steering pump</b> , exc. G60	027-145-157	each	<b>£140.00</b>
5	<b>Reservoir</b> , PAS fluid >7/88	191-422-371/A	each	<b>£10.90</b>
6	<b>Steering rack</b> , RHD, >90, non PAS	192-419-063/B	each	<b>£89.00</b>
7	<b>Steering rack</b> , RHD, 90>, non PAS	192-419-063/C	each	<b>£89.00</b>
8	<b>Steering rack</b> , RHD, 8/83>, PAS	192-422-061/M	each	<b>£275.00</b>
9	<b>Tie rod</b> , complete, left, non PAS	191-419-803	each	<b>£14.00</b>
	<b>Tie rod</b> , complete, right, non PAS	191-419-804	each	<b>£14.00</b>
	<b>Tie rod</b> , complete, left, PAS	191-422-803	each	<b>£23.60</b>
	<b>Tie rod</b> , complete, right, PAS	191-422-804	each	<b>£22.00</b>
10	<b>Steering rack rubber mount</b> , Non PAS	191-419-883	each	<b>£8.00</b>
	PAS	191-422-884	each	<b>£12.95</b>
11	<b>Clamp</b> , for steering rack	191-419-875	each	<b>£9.95</b>
12	<b>Nut</b> , for above	N90-226-403	each	<b>CALL</b>
13	<b>Steering rack boot</b> , L or R, Non PAS	191-419-831	each	<b>£7.00</b>
	PAS	1H0-422-831/B	each	<b>£7.00</b>
14	<b>Boot</b> , for U/J, Non PAS	192-419-523/E	each	<b>£76.30</b>
	PAS	192-419-523/F	each	<b>£30.50</b>
	<b>Gasket set</b> , for PAS rebuild	1H0-498-020	set	<b>£93.90</b>
15	<b>Bolt</b> , for steering rack clamp	N90-184-501	each	<b>£1.50</b>

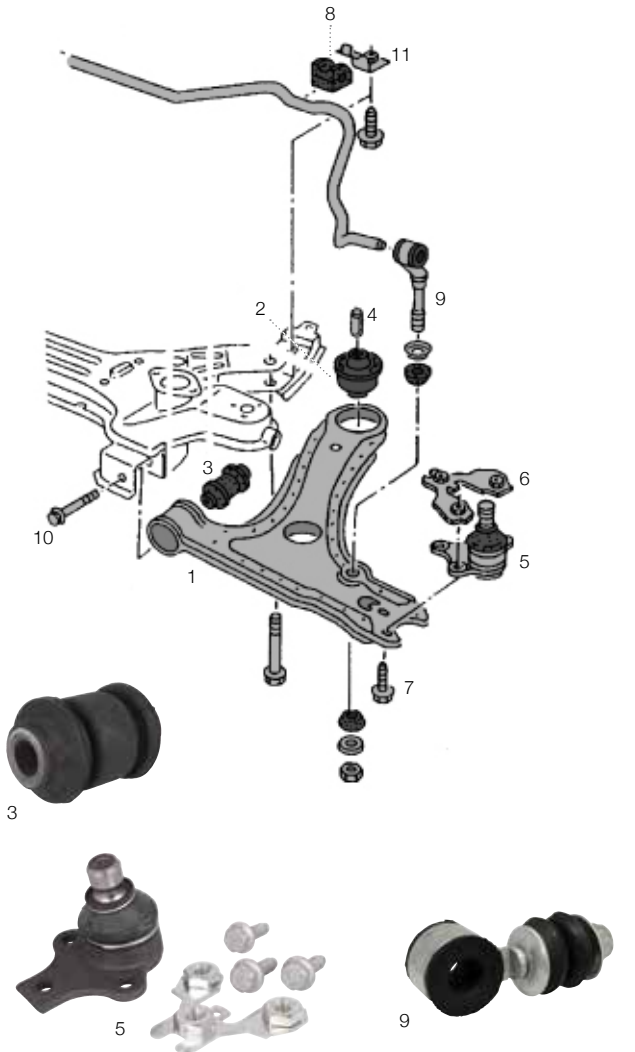
## FRONT SHOCK ABSORBERS



1	<b>Top mount</b> , 84> (not G60)	191-412-329	each	<b>£14.00</b>
2	<b>Top mount</b> , G60	357-412-329	each	<b>£10.20</b>
3	<b>Top mount kit</b> , (mount, dustcover, bumpstop, and nut)	191-498-329	each	<b>£15.00</b>
2	<b>Slotted nut</b> , top of strut	811-412-365	each	<b>£1.10</b>
3	<b>Bumpstop</b> , all models	357-412-303/E	each	<b>£5.50</b>
4	<b>Protective boot</b> , all models	357-412-135	each	<b>£6.00</b>
5	<b>Spring cap</b> , 84>	191-412-341	each	<b>£7.20</b>
6	<b>Spring</b> , most models exc. GTi	191-411-105/A	each	<b>£29.00</b>
	<b>Spring</b> , GTi, exc. 16v/ G60	191-411-105/C	each	<b>£25.00</b>
7	<b>Insert</b> , oil, Sachs/Boge	191-412-031/2	each	<b>£24.70</b>
	<b>Insert</b> , gas, Sachs/Boge	191-412-031/A	each	<b>£37.60</b>
	<b>Insert</b> , gas, reproduction	191-412-031/J	each	<b>£25.80</b>
8	<b>Washer</b> , top of piston	171-412-369	each	<b>£1.20</b>
9	<b>Front strut</b> , oil, reproduction, not 16v/ G60	1H0-413-031/C	each	<b>£35.00</b>
	<b>Front strut</b> , gas, reproduction, not G60	1H0-413-031/A	each	<b>£40.80</b>
10	<b>Front strut</b> , bottom bolt (4req./set)	N01-955-12	each	<b>£2.20</b>
11	<b>Front strut</b> , bottom nut (4req./set)	N90-323-704	each	<b>£2.20</b>
	<b>Camber adjustment bolt</b> , bottom of shock	N10-174-002	each	<b>£3.49</b>
12	<b>Top nut</b>	N02-215-01	each	<b>£5.00</b>
13	<b>Top cup</b>	1H0-412-319/B	each	<b>£5.50</b>



## FRONT SUSPENSION/ STEERING



1	<b>Front wishbone, left or right, bare</b>	191-407-151/B	each	<b>£24.98</b>
	<b>Front wishbone,, left or right with bushes &amp; joint, &gt;7/87</b>	191-407-153	each	<b>£29.00</b>
	<b>Wishbone, left or right with bushes &amp; joint, 8/87&gt;</b>	191-407-153/A	each	<b>£25.20</b>
	<b>Wishbone repair kit</b>	191-498-153/S	kit	<b>£29.10</b>
2	<b>Wishbone bushes, 60mm steel with shoulder</b>	191-407-181/A	each	<b>£7.00</b>
	<b>Wishbone bushes, 60mm aluminium without shoulder</b>	191-407-181/D	each	<b>£6.10</b>
3	<b>Wishbone bushes, 33mm</b>	357-407-182	each	<b>£6.60</b>
4	<b>Sleeve, for front wishbone bush</b>	191-407-190/A	each	<b>£0.95</b>
5	<b>Ball joint, left or right, &gt;7/87, joint only</b>	191-407-365	each	<b>£8.50</b>
	<b>Ball joint, left or right, &gt;7/87, with fitting kit</b>	191-407-365/S1	each	<b>£15.00</b>
	<b>Ball joint, left or right, 8/87&gt;, joint only</b>	357-407-365	each	<b>£15.00</b>
	<b>Ball joint, left or right, 8/87&gt;, with fitting kit</b>	357-407-365/S1	each	<b>£17.50</b>
6	<b>Ball joint locking plate</b>	191-407-175	each	<b>£14.00</b>
7	<b>Bolt for above</b>	N10-277-06	each	<b>CALL</b>
8	<b>Front anti roll bar mount, 17mm</b>	191-411-314	each	<b>£2.50</b>
	<b>Front anti roll bar mount, 19mm</b>	191-411-314/A	each	<b>£2.50</b>
9	<b>Front roll bar link</b>	191-411-315/B	each	<b>£11.10</b>
	<b>Front roll bar link, G60 only</b>	191-411-315/A	each	<b>£11.10</b>
10	<b>Bolt, for wishbone pivot</b>	N90-484-003	each	<b>CALL</b>
11	<b>Clamp, for inner ARB bush</b>	191-411-334	each	<b>CALL</b>

## FRONT WHEEL BEARINGS AND HUBS



1	<b>Bolt</b>	N03-477-84	each	<b>£5.00</b>
2	<b>Nut, for above</b>	N10-286-102	each	<b>£1.20</b>
3	<b>Nut, for tie rod</b>	N90-321-302	each	<b>CALL</b>
4	<b>Front wheel bearing kit</b>			
	8/83-7/87	191-498-625	each	<b>£21.00</b>
	8/87-10/91	357-498-625/B	each	<b>£23.40</b>
5	<b>Rotor for ABS sensor</b>			<b>NCA</b>
	<b>Front hub</b>			
6	8/83-7/87	191-407-615	each	<b>£17.50</b>
7	8/87-10/91 (no ABS)	357-407-615	each	<b>£21.00</b>
8	<b>Thrust washer</b>	171-407-277	each	<b>£2.20</b>
9	<b>Hub nut</b>	171-407-643/A	each	<b>£6.10</b>
10	<b>Screw for ABS rotor</b>	N10-231-601		<b>NCA</b>

## REAR SUSPENSION / STUB AXLE



1	<b>Drum brake models, left or right</b>	357-501-117	each	<b>£26.00</b>
2	<b>Rear disc brake models, left</b>	333-501-117	each	<b>£42.00</b>
3	<b>Rear disc brake models, right</b>	333-501-118	each	<b>£42.00</b>
	<b>Bolt, for stub axle</b>	N90-877-301	each	<b>£1.00</b>

	<b>Washer, for above</b>	321-501-119/A	each	<b>£0.50</b>
4	<b>Rear wheel bearing kit, all models</b>	311-498-017/B	kit	<b>£9.50</b>
	<b>Rear hub seal</b>	357-501-641/B	each	<b>£3.76</b>
	<b>Rear bearing cap</b>	823-501-249	each	<b>£5.50</b>
	<b>Split pin for bearing</b>	N01-253-61	each	<b>£0.50</b>

## REAR SUSPENSION



1	<b>Rear spring</b>	191-511-115/A	each	<b>£29.00</b>
2	<b>Rear shock absorber, 1050-1800cc carb/diesel</b>	1H0-513-031	each	<b>£22.00</b>
2a	<b>Rear shock absorber, 8v GTi</b>	1H0-513-031/D	each	<b>£22.00</b>
2b	<b>Rear shock absorber, 16V GTi</b>	191-513-033/J	each	<b>£35.00</b>
3	<b>Snap ring, for rear shock</b>	8D0-512-097	each	<b>£1.70</b>
4	<b>Rear bumpstop, (146mm)</b>	191-512-131/B	each	<b>£10.00</b>
5	<b>Rear shock dust covers</b>	191-513-425	each	<b>£2.20</b>
6	<b>Lower shock absorber bolt</b>	N90-517-302	each	<b>£2.80</b>
7	<b>Nut, for above</b>	N10-209-005	each	<b>£0.80</b>

8	<b>Spring packing, upper</b>	1H0-512-149	each	<b>£2.80</b>
9	<b>Upper spring disc</b>	191-512-113	each	<b>£10.00</b>
10	<b>Washer</b>	191-512-119	each	<b>£3.30</b>
11	<b>Lower top bushing</b>	191-512-333	each	<b>£4.20</b>
12	<b>Spacer sleeve</b>	191-512-117	each	<b>£8.00</b>
13	<b>Nut</b>	N10-328-602	each	<b>£1.70</b>
14	<b>Support washer</b>	191-512-340	each	<b>£2.90</b>
15	<b>Top Bushing, set of 4</b>	191-512-335	each	<b>£3.50</b>
16	<b>Pressure washer</b>	191-512-339	each	<b>£2.90</b>
17	<b>Concave washer</b>	191-512-337	each	<b>£1.50</b>
18	<b>Cover for top of rear shock</b>	191-512-135	each	<b>£2.90</b>

## REAR AXLE



1	<b>Rear axle bush kit</b>	191-501-541	kit	<b>£14.00</b>
	<b>Pivot bolt for rear axle</b>	N90-354-401	each	<b>£2.50</b>
2	<b>Nut for above</b>	N90-323-704	each	<b>£2.20</b>
	<b>Rear axle to chassis bolt, (3 per side)</b>	N10-141-701	each	<b>£2.25</b>
3	<b>Rubber mounting, for rear anto roll bar</b>	871-511-423	each	<b>£6.10</b>

Please call to discuss Syncro & Rallye suspension components.





**UPGRADES  
& CUSTOM PARTS**

## POLYBUSH BUSHES

**vwheritage** OEM PLUS



VW Heritage are pleased to offer an exclusive OEM+ range of Polyurethane bushes for your Mk2 Golf, developed in partnership with UK manufacturer Polybush. Polybush have been specialising in polyurethane research, design and manufacture for the past 21 years and are a world leader in many fields.

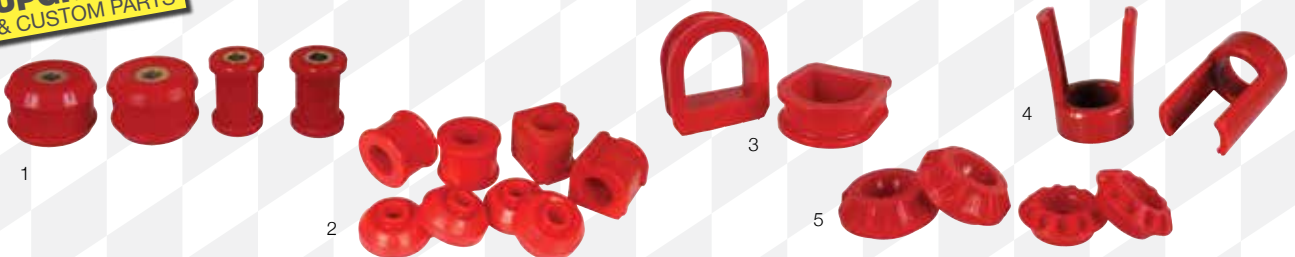
We have harnessed their knowledge and skills to offer their quality automotive products, but with a twist. Changing the colour to a more subtle black in keeping with the growing OEM+ marketplace. Upgrade to Polyurethane bushes for an improved and more confident ride, better handling and reduced body roll. Polyurethane is engineered to last; fit and forget!

1	Front bush, front wishbone	WC407G201	pair	£45.95
2	Rear bush, front wishbone	WC407G202	pair	£51.95
3	Inner bush, front ARB	WC407G203	pair	£43.96
4	Outer bush, front ARB / droplink	WC407G204	pair	£28.96
5	Front ARB droplink bushes	WC407G205	set 4	£30.95

6	Front cross member	WC407G207	set	£44.95
7	Steering rack mount, not PAS	WC407G208	each	£15.95
8	Rear beam mounts	WC407G206	pair	£59.94
	Suspension bush kit	WC407G200	kit	£259.96

**UPGRADES  
& CUSTOM PARTS**

## BUGPACK BUSHES



1	Front wishbone, front and rear bushes	WC4122-202	kit	£26.00
2	Front anti roll bar kit	WC4122-1101	kit	£14.00
3	Steering rack bush kit, non PAS	WC4122-702	kit	£10.00

4	Rear axle bush kit	WC4122-302	kit	£7.00
5	Rear shock absorber bushes	WC4122-902	kit	£16.00
	Complete Bugpack bush kit, includes all of above	WC4122-2009	kit	£78.40

**WE ARE PLEASED TO ANNOUNCE A PARTNERSHIP BETWEEN VW HERITAGE AND KW, BRINGING YOU THESE BRAND NEW AND EXCLUSIVE SUSPENSION PRODUCTS.**



Founded in 1995, KW are credited with developing the first coilover suspension systems for use on the street, and since then have built a reputation for manufacturing the very best components in this highly competitive field.

We have been working closely with KW to create a positive evolution of their already successful variant 1 coilover systems for a number of classic VW models.

Blessed with fixed rate dampening, the variant 1 has been fine tuned by KW to perform perfectly on day to day and fast road / track day use.

You will probably of noticed the colours have been changed. We felt that the purple and yellow signature colours of KW weren't always in keeping with the application that our customers had in mind.

With SUBTLE BEING the chosen style for many VW fans to follow, now is the time to introduce the VW Heritage OEM+ range of coilovers.

Expertly engineered by KW to ensure optimum handling performance, and finished in stainless steel and factory black; this is the suspension you need to compliment the character of your classic Volkswagen.



Exclusively produced for VW Heritage, and continuing our OEM+ range of sports suspension components, we are pleased to offer Weitec fixed height suspension kits.

Weitec suspension is produced by German suspension giants KW and is perfect for those wishing to enhance their driving experience without the costs and complications of a coilover suspension system.

We have chosen to offer these kits, combining pre-set GT dampers finished in black, and Weitec sports springs finished in factory black to compliment the classic style of your Golf. Available in -40mm or -60mm drop depending on your requirements.

UPGRADES & CUSTOM PARTS

VW HERITAGE OEM+ SUSPENSION KITS

**vwheritage** OEM PLUS

**KW OEM+ coilovers**

WC498G2010

each **£850.00**

**Weitec OEM+ suspension kits**

WC498G2001  
WC498G2002

each **£385.00**  
each **£385.00**

**Weitec OEM+ anti roll bar kits**

WC411G2001

kit **£295.00**



**UPGRADES  
& CUSTOM PARTS**

## KW COILOVERS



### KW coilover kits variant 1

2wd models	WC412KW10280002	each	£850.00
4wd models	WC412KW10280051	each	£876.00

### KW coilover kits variant 2

2wd models	WC412KW15280002	each	£1,113.00
4wd models	WC412KW15280051	each	£1,140.00

### KW coilover kits variant 3

2wd models	WC412KW35280002	each	£1,403.00
4wd models	WC412KW35280051	each	£1,428.00

**UPGRADES  
& CUSTOM PARTS**

## EIBACH SPRINGS AND ARBS



### Eibach anti roll bar kits

1	All models exc. Syncro/Rallye	WC411E8502-320	each	£357.40
---	-------------------------------	----------------	------	---------

### Eibach Pro kit lowering springs

	All models exc. 16v/diesel, -30mm	WC412E8502-140	each	£150.10
2	16v/diesel, -20mm	WC412E8509-140	each	£164.80

### Eibach front camber bolts kit

		WC412E81250	kit	£21.00
--	--	-------------	-----	--------

### Eibach rear alignment shim kit

		WC501E75200	kit	£16.20
--	--	-------------	-----	--------

**UPGRADES  
& CUSTOM PARTS**

## WIECHERS STRUT BRACES



### Front upper strut braces

#### Carb/G60/TD

1	1pc steel	WC411W511008	each	£80.80
2	3pc steel	WC411W511009	each	£88.20
3	3pc aluminium	WC411W512009	each	£132.30

#### Gti 8v

4	3pc steel	WC411W511010	each	£88.20
	3pc aluminium	WC411W512010	each	£115.50

#### Gti 16v

	3pc steel	WC411W511011	each	£86.10
5	3pc aluminium	WC411W512011	each	£141.70



### Front lower strut braces

6	Steel All models	WC411W513003	each	£51.60
	Aluminium All models	WC411W514003	each	£70.30

### Rear upper strut braces

	Steel All models	WC511W515002	each	£38.70
	Aluminium All models	WC511W516002	each	£57.00



# BRAKES

Convert your 12mm disc model to vented discs simply by changing to the 239x20mm discs and pads to match - the calipers are the same.

Fit stainless steel brake hoses for improved pedal feel and better performance.



Upgrade to drilled brake discs for better cooling, grooved for greater friction and an instant response. For the best of both worlds why not pick from the combi range.

We sell copper nickel brake pipe kits, they don't rust!

## FRONT DISCS



1	239 x 10mm, solid	811-615-301	each	£14.00
2	239 x 12mm, solid	321-615-301	each	£12.00
3	239 x 20mm, vented	321-615-301/C	each	£17.50
4	256 x 20mm, vented	321-615-301/D	each	£20.00
5	280 x 22mm, vented, G60	535-615-301	each	£45.00
	Screw, for securing disc to hub	N10-112-603	each	£0.50

## FRONT BRAKE PADS



1	Pads, for 239 x 10mm discs, 2 pin fitting	861-698-151	each	£10.94
2	Pads, for 239 x 10mm discs	191-698-151/E	each	£11.80
3	Pads, for 239 x 12mm discs	1H0-698-151/A	each	£18.00
4	Pads, for 239 x 20mm discs	191-698-151/G	each	£29.00
5	Pads, for 256 x 20mm discs	357-698-151/A	each	£18.00
	Pads, for 280 x 22mm discs	357-698-151/B	each	£16.00

## BRAKE CALIPERS AND FITTINGS



1	Caliper, for 239 x 10mm discs, left	191-615-123	each	£95.99
	Caliper, for 239 x 10mm discs, right	191-615-124	each	£95.99
	Bolt, for above	N01-471-53	each	£0.76
2	Caliper, for 239 x 12mm and 239 x20mm discs, left	1H0-615-123/A	each	£108.10
	Caliper, for 239 x 12mm and 239 x20mm discs, right	1H0-615-124/A	each	£108.10
	Upper bolt, for above (M8 x55mm)	N04-475-53	each	£0.85
	Lower bolt, for above (M8 x 45mm)	N01-471-53	each	£0.76
	Guide bushings, for 239x12/239x20mm calipers	171-698-447/A	each	£21.50
3	Caliper, for 256 x 20mm discs, left	357-615-123/AX	each	£95.99
	Caliper, for 256 x 20mm discs, right	357-615-124/AX	each	£95.99
	Caliper, for G60/ Rallye 280 x 22mm discs, left	357-615-123/B	each	£95.99
	Caliper, for G60/ Rallye 280 x 22mm discs, right	357-615-124/B	each	£95.99
	Bolt, caliper carrier to front hub	N90-708-504	each	£2.50
	Bolt, caliper to carrier, 2 per side	321-615-141	each	£5.50
4	Backing plate, all exc 256 x20mm and 280 x22mm discs, left	191-615-311/A	each	£15.00
	Backing plate, all exc 256 x20mm and 280 x22mm discs, right	191-615-312/A	each	£15.00
5	Backing plate, 256mm and 280mm discs fits left or right	191-615-309/A	each	£19.00
6	Bolt, for backing plate	N90-529-301	each	£0.60
	Bleed nipple, M10x1	357-615-273	each	£1.70



## REAR WHEEL CYLINDERS AND FITTINGS



1	<b>14.29mm</b> , all drum models	171-611-051/B	each	<b>£7.00</b>
1	<b>17.46mm</b> , for models with rear pressure regulator	6N0-611-053	each	<b>£6.50</b>
	<b>Bolt for above</b>	N01-475-06	each	<b>£0.60</b>
2	<b>Bleed nipple</b> , for cast iron cylinders, M6x1	113-611-475	each	<b>£2.20</b>
	<b>Bleed nipple</b> , for aluminium cylinders, M7x1	3A0-611-475	each	<b>£2.20</b>
3	<b>Dust cover for above</b>	211-611-483	each	<b>£0.55</b>

## MASTER CYLINDER AND FITTINGS



1	<b>All models</b> , 83>7/89, 20.64mm	191-611-019	each	<b>£32.00</b>
2	<b>1600cc Diesel / 1800cc</b> , 8/89>	1H1-611-019/C	each	<b>£47.00</b>
3	<b>1800cc 16v + G60 models</b> , 22.2mm	1H1-611-019/B	each	<b>£40.00</b>
	<b>Gasket</b> , master cylinder to servo	357-611-243	each	<b>£6.10</b>
4	<b>Plug</b> , master cylinder to reservoir	357-611-817	each	<b>£5.50</b>

## BRAKE FLUID RESEVOIR



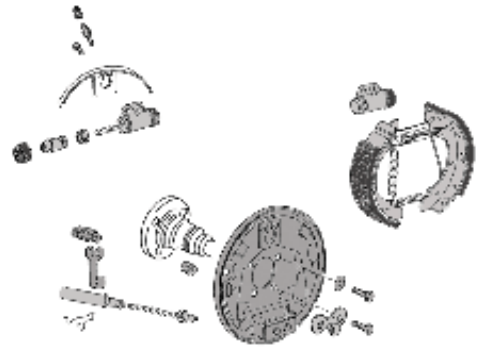
1	<b>Fluid resevoir</b> , LHD	1H1-611-301/A	each	<b>£51.70</b>
	<b>Fluid resevoir</b> , RHD	358-611-301/A	each	<b>£35.00</b>
2	<b>Resevoir cap</b> , for models with warning light	1H1-611-349	each	<b>£17.40</b>
3	<b>Resevoir cap</b> , warning light and level indicator, LHD, 60mm	357-611-349	each	<b>£30.10</b>
	<b>Resevoir cap</b> , warning light and level indicator, RHD, 83mm	192-611-349	each	<b>CALL</b>
	<b>Seal</b> , for resevoir cap	893-611-347	each	<b>£4.95</b>

## SERVO



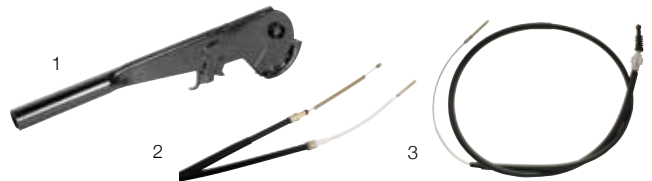
1	<b>7" servo</b> , 1050-1600cc, RHD	192-612-107	each	<b>£349.80</b>
2	<b>9" servo</b> , 1600-1800cc, 84-89, RHD	192-612-107/A	each	<b>£349.80</b>
	<b>9" servo</b> , 1600-1800cc, 89>, RHD	358-612-107/B	each	<b>£226.80</b>
	<b>Gasket</b> , servo to body, RHD	192-612-161/A	each	<b>£3.50</b>
	<b>Nut</b> , servo to body, M8	N90-074-404	each	<b>£0.75</b>
	<b>Plug for servo</b>	861-612-175	each	<b>£5.94</b>
3	<b>Hose for servo</b>	321-611-939/E	each	<b>£4.40</b>

## REAR DRUM BRAKES AND SHOES



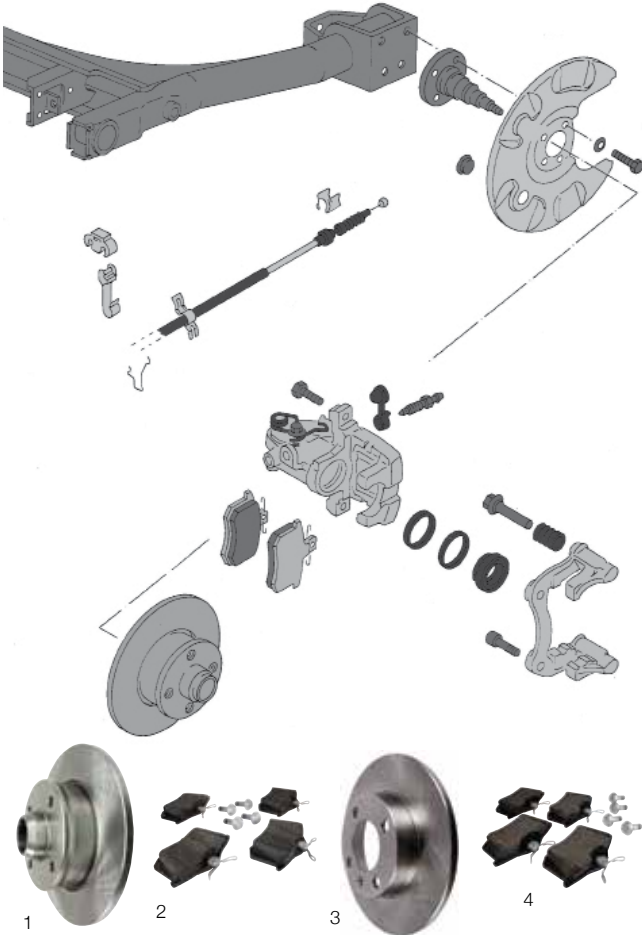
1	<b>Rear drum</b> , 180 x 30mm	191-501-615/B	each	<b>£16.00</b>
2	<b>Brake shoes</b> , for above	191-698-051	each	<b>£14.00</b>
	<b>Brake shoes</b> , fitting kit for 180 x 30mm	171-698-545	each	<b>£10.00</b>
3	<b>Rear drum</b> , 200 x 40mm	1H0-501-615/A	each	<b>£25.20</b>
4	<b>Brake shoes</b> , for above	1H0-698-071	each	<b>£20.40</b>
	<b>Brake shoe fitting kit</b> , for 200 x40mm	1H0-698-545/A	kit	<b>£20.00</b>

## HANDBRAKE



1	<b>Handbrake handle</b> , >7/88	171-711-305/B	each	<b>£44.80</b>
	<b>Cable</b> , for models with rear drums, 83-7/88	191-609-721	each	<b>£10.00</b>
2	<b>Cable</b> , for models with rear drums, 88-92	191-609-721/E	each	<b>£12.00</b>
	<b>Retainer clip for above</b>	811-611-797	each	<b>£1.25</b>
	<b>Hook for handbrake cable</b>	191-609-657	each	<b>£1.25</b>
	<b>Bracket for above cable</b>	191-609-639/B	each	<b>£1.25</b>
	<b>Cable</b> , for models with rear discs, 83-7/88	191-609-721/A	each	<b>£12.00</b>
3	<b>Cable</b> , for models with rear discs, 88-92	191-609-721/F	each	<b>£14.00</b>
	<b>Spring clamp for above</b>	857-609-745/A	each	<b>£1.25</b>
	<b>Cable</b> , for Rallye, left	191-609-721/H	each	<b>£53.60</b>
	<b>Cable</b> , for Rallye, right	191-609-721/K	each	<b>£53.60</b>

REAR BRAKE DISCS AND PADS



1	Rear brake disc, solid, 226 x 10mm	357-615-601	each	£22.00
2	Brake pads, for above	1H0-698-451/F	each	£24.00
3	Rear brake disc, solid, 239 x 10mm, Rallye models only	811-615-301	each	£14.00
4	Brake pads, for above	1H0-698-451/E	each	£26.90

REAR BRAKE CALIPERS AND FITTINGS



1	Rear brake caliper, left	535-615-423	each	£120.00
	Rear brake caliper, right	535-615-424	each	£120.00
	Bolt, caliper to carrier	321-615-141	each	£5.50
	Bolt, caliper carrier to rear hub	N01-991-23	each	£3.95
	Backing plate, >7/88, left	191-615-611	each	£29.94
	Backing plate, >7/88, right	191-615-612	each	£29.94
2	Backing plate, 8/88> left	191-615-611/D	each	£29.94
	Backing plate, 8/88> right	191-615-612/D	each	£29.94
3	Bolt, for backing plate to stub axle >7/88	N90-369-801	each	£3.90
	Bolt, for backing plate to stub axle 8/88>	N04-475-53	each	£0.85
	Washer, for above	321-501-119/A	each	£0.50

UPGRADES & CUSTOM PARTS

MK4 GOLF REAR BRAKE CONVERSION PARTS



Upgrade your problematic Mk2 Golf rear calipers to the more reliable Mk4 Golf type.

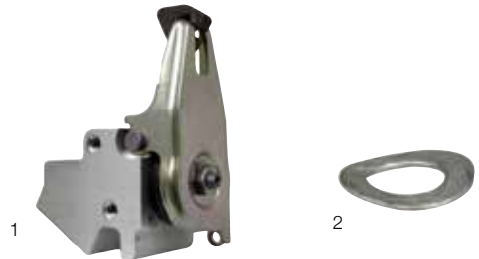
1	Rear caliper, Golf Mk4 type, left	1J0-615-423	each	£120.00
	Rear caliper, Golf Mk4 type, right	1J0-615-424	each	£120.00
	Brake pads, for above	1J0-698-451/J	each	£15.50
	Goodridge conversion hoses, stainless steel	WC6980506-2P	each	£40.80

BRAKE PIPE SETS



1	Rear drum models, 6 piece set, copper nickel	191-698-500	each	£59.00
	Rear disc models, 8 piece set Copper Nickel	191-698-501	each	£59.00
	Retaining clip, for brake pipe	811-611-797	each	£1.25
	3 Way connector	803-611-755	each	£7.50

BRAKE PRESSURE REGULATOR



1	Mk2 Golf, all models where fitted	357-612-151	each	£59.00
	Bolt, for above, M8x12	N01-023-714	each	£0.50
2	Washer, for above	N01-224-110	each	£0.40

BRAKE HOSES



	Front, all models exc 16v / G60, 335mm, R/H Thread	171-611-701/L	each	£9.50
1	Front, 16v, 300mm	191-611-701/A	each	£9.50
	Front, Rallye, 360mm	535-611-701	each	£11.00
2	Rear, drums / inner hose on disc models exc Syncro, 180mm	433-611-775/A	each	£10.20
	Rear inner, Syncro/Rallye, 160mm	171-611-775	each	£11.00
3	Rear outer, all disc models,	893-611-775/A	each	£10.20
	Retaining spring clip, brake hose to brake pipe	4D0-611-715/B	each	£0.95





**UPGRADES  
& CUSTOM PARTS**

**GOODRIDGE STAINLESS BRAKE HOSES**



1	All models, with rear drum brakes	WC6980503-4P	each	<b>£58.10</b>			
2	GTi 8v+16v, models with rear discs	WC6980600-6P	each	<b>£94.50</b>			
	GTi 8v+16v, with Mk4 Golf rear caliper upgrade	WC6980508-6P	each	<b>£111.30</b>			
3	G60, models exc Rallye	WC6980506-6	each	<b>£82.90</b>			
					G60, models with Mk4 Golf rear caliper upgrade, exc Rallye	WC6980507-6P	each <b>£111.30</b>
					Rallye	WC6980606-6	each <b>£89.00</b>
					Mk4 Golf rear caliper conversion hoses	WC6980506-2P	each <b>£40.80</b>

**UPGRADES  
& CUSTOM PARTS**

**BLACK DIAMOND PERFORMANCE DISCS AND PADS**



Front		Cross Drilled		Front		Combi	
1	1050cc, 1300cc, 1600D, solid, 239 x10mm 1600cc, 1600TD, solid, 239 x12mm	WC615KBD008/D WC615KBD021/D	each <b>£80.80</b> each <b>£80.80</b>	1050cc, 1300cc, 1600D, solid, 239 x10mm 1600cc, 1600TD, solid, 239 x12mm	WC615KBD008/C WC615KBD008/C	each <b>£95.50</b> each <b>£95.50</b>	
2	1600cc, 1800cc, 8v GTi, 16v GTi> 88, vented, 239x20mm 16v GTi, vented, 256 x20mm G60, Rallye, vented, 280x22	WC615KBD852/D WC615KBD324/D WC615KBD404/D	each <b>£110.90</b> each <b>£105.00</b> each <b>£146.00</b>	1600cc, 1800cc, 8v GTi, 16v GTi> 88, vented, 239x20mm 16v GTi, vented, 256 x20mm G60, Rallye, vented, 280x22	WC615KBD852/C WC615KBD324/C WC615KBD8404/C	each <b>£111.30</b> each <b>£119.70</b> each <b>£146.00</b>	
Rear discs		Rear discs		Rear discs		Rear discs	
3	All models exc. G60 / Rallye, solid, 226x10mm G60, Rallye models, solid, 239x10mm	WC615KBD424/D WC615KBD008/D	each <b>£114.50</b> each <b>£80.80</b>	All models exc. G60 / Rallye, solid, 226x10mm G60, Rallye models, solid, 239x10mm	WC615KBD424/C WC615KBD008/C	each <b>CALL</b> each <b>£95.50</b>	
Front		Grooved		Front		Front	
4	1050cc, 1300cc, 1600D, solid, 239 x10mm 1600cc, 1600TD, solid, 239 x12mm 1600cc, 1800cc, 8v GTi, 16v GTi> 88, vented, 239x20mm 16v GTi, vented, 256 x20mm G60, Rallye, vented, 280x22	WC615KBD008/G WC615KBD021/G WC615KBD852/G WC615KBD324/G WC615KBD404/G	each <b>£74.50</b> each <b>£76.60</b> each <b>£92.40</b> each <b>£101.80</b> each <b>£131.30</b>	1050cc, 1300cc, 1600cc >86, 1600D 1600cc >86>, 1600TD, 1800cc, 8v GTi, 16v GTi>88 16v GTi 88> G60, Rallye	WC698PP097 WC698PP097 WC698PP368 WC698PP226	each <b>£30.10</b> each <b>£30.10</b> each <b>£57.00</b> each <b>£48.40</b>	
Rear discs		Rear discs		Rear		Rear	
	All models exc. G60 / Rallye, solid, 226x10mm G60, Rallye models, solid, 239x10mm	WC615KBD424/G WC615KBD008/G	each <b>£97.60</b> each <b>£74.50</b>	All models exc. G60/ Rallye Rallye, G60	WC698PP148 WC698PP098	each <b>£41.90</b> each <b>£30.10</b>	



# WHEELS

Think outside the box. PCD adaptors to allow fitment of Porsche, Audi and newer VW model wheels.

Fitting spacers? Budget for longer wheel bolts for anything thicker than 3mm.



A wise man once said "wheels maketh the car" he wasn't wrong.

Fit radius wheel bolts on steel wheels and OEM alloys. Aftermarket wheels will use taper fit, get it wrong and your wheel could come loose!

## G60 STEEL



1



2



3

1	<b>G60 steel wheel</b> , 6x15" ET35l	357-601-025/M	each	<b>£60.50</b>
2	<b>Centre cap</b> , Silver Flush Fit	357-601-149/D	each	<b>£5.70</b>

3	<b>Centre cap</b> , black plastic	871-601-171	each	<b>£7.10</b>
	<b>Wheel bolt</b> , standard	3A0-601-139	each	<b>£4.40</b>
	<b>Cap</b> , for wheel bolt	321-601-173/A	each	<b>£0.80</b>

### UPGRADES & CUSTOM PARTS

#### ATS WHEELS



1



2



3



4

1	<b>Classic</b> , 7x13", ET20	WC601A71320C	each	<b>£164.80</b>
2	<b>Classic</b> , 8x13", ET0	WC601A81301C	each	<b>£156.40</b>
3	<b>Centre cap</b> , for classic	WC601ACCCLA	each	<b>£12.10</b>
4	<b>Cup</b> , 7x15", ET20	WC601A71520CUP	each	<b>£152.20</b>
	<b>Cup</b> , 7x15", ET28	WC601A71528CUP	each	<b>£161.70</b>
	<b>Centre cap</b> , for cup	WC601ACCCUP	each	<b>£20.40</b>

### UPGRADES & CUSTOM PARTS

#### RONAL WHEELS



1



3



2

1	<b>R10 Turbo</b> , 7x15", ET28	WC601R715288T	each	<b>£165.90</b>
2	<b>Centre cap</b> , for R10 Turbo	WC601RCCR10	each	<b>£16.10</b>
3	<b>LS</b> , 7.5x15", ET25	WC601R71528LS	each	<b>£150.10</b>
	<b>Centre cap</b> , for LS	WC601RCCLS	each	<b>£34.40</b>



**UPGRADES  
& CUSTOM PARTS**

## LENZO BSX WHEELS



Add "S" for silver, "BK" for black, "G" for gold

7x15", ET20	WC601L1520	each	£120.70
7x15", ET38	WC601L1538	each	£120.70
7x16", ET25	WC601L1620	each	£151.20
7x16", ET38	WC601L1638	each	£152.20
9x16	WC601L1640	each	£197.40
Centre cap, for Lenzo BSX	WC601LBSXCAP	each	£55.90

**UPGRADES  
& CUSTOM PARTS**

## ROTA WHEELS



1 RBR, 8x16", ET10	WC601R006	each	£183.70
2 Zero Plus, 8x15", ET10	WC601R005	each	£161.70
3 RS4, 6.5x15, ET40	WC601R004	each	£118.60
4 Flashback, 7x15", ET40	WC601R003	each	£127.50

**UPGRADES  
& CUSTOM PARTS**

## SSP WHEELS



Use adaptors to fit - 4/100 - 5/130 see page 41.

1 Fooks, 5.5x15", ET45, polished 5/130	AC601005P	each	£127.00
2 Gas Burner 5.5x15", ET45, 5/130	AC601030BP	each	£135.00
3 Fooks, 7x17" ET40, 5/130	AC601024C	each	£259.00
Chrome	AC601024P	each	£249.00
Polished	AC601024BP	each	£179.00
Black / Polished			
4 Cosmics, 5.5x15" ET25, 5/130	AC601027BP	each	£135.00

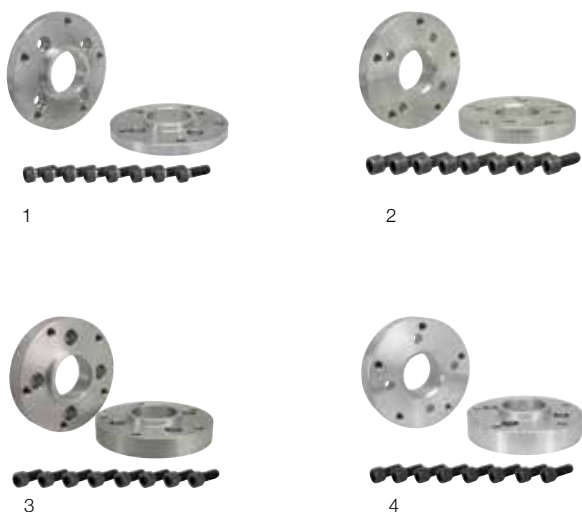
## WHEEL SPACERS



1 3mm	WC601SP10	pair	£25.00
2 5mm	WC601SP11	pair	£30.00
3 8mm (use longer bolts)	WC601SP12	pair	£35.00
4 10mm (use longer bolts)	WC601SP13	pair	£40.00
5 15mm, hubcentric (use longer bolts)	WC601SP14	pair	£75.00
6 20mm, hubcentric (use longer bolts)	WC601SP15	pair	£85.00
25mm, hubcentric	WC601SP16	pair	£95.00



WHEEL ADAPTORS



4x100- 5x130 57.1-76.1mm centrebore, supplied with allen bolts.

1	15mm, hubcentric	WC601AD10	each	CALL
2	20mm, hubcentric	WC601AD11	each	CALL
3	25mm, hubcentric	WC601AD12	each	CALL
4	30mm, hubcentric	WC601AD13	each	CALL

WHEEL BOLTS



Please call if you can't see the size you require or need advice.

<b>Radiused bolts</b>				
	Standard, M12x1.5x23.5mm	3A0-601-139	each	£4.40
1	M12x1.5x26mm	AC601SB10R	each	£1.70
2	M12x1.5x35mm	AC601SB35R	each	£3.30
	M12x1.5x50mm	AC601SB16R	each	£3.90
<b>Tapered bolts</b>				
3	M12x1.5x26mm	AC601SB10	each	£1.70
4	M12x1.5x35mm	AC601SB13	each	£2.20
	M12x1.5x50mm	AC601SB16	each	£3.90
<b>Radiused locking bolts</b>				
	M12x1.5x24mm	AC601LB115	each	£31.20
5	M12x1.5x38mm	AC601LB118	each	£31.20
<b>Tapered locking bolts</b>				
6	M12x1.5x22mm	AC601LB117	each	£31.20
	M12x1.5x48mm	AC601LB156	each	£41.90

RETRO WHEEL ACCESSORIES



1	Salt flat discs, 15", require drilling to fit	AC601750	set	£80.80
2	Valve caps, iron cross, black and white	AC601VC001	set	£6.10
3	Valve caps, iron cross, chrome	AC601VC000	set	£3.30
4	Valve caps, spiked aluminium	AC601VC002	set	£3.30
5	Valve caps, anodised blue	AC601GE10B	set	£8.80
6	Valve caps, anodised red	AC601GE10R	set	£8.80

WHITE WALL TYRE TRIMS



13"	White wall tyre insert, set of 4	AC698007	set	£55.90
14"	White wall tyre insert, set of 4	AC698002	set	£54.00
15"	White wall tyre insert, set of 4	AC698001	set	£53.70

WHITE BAND TYRE TRIMS



13"	White band tyre insert, set of 4	AC698008	set	£47.30
14"	White band tyre insert, set of 4	AC698004	set	£55.90
15"	White band tyre insert, set of 4	AC698003	set	£55.90

RED BAND TYRE TRIMS



13"	Red band tyre insert, set of 4	AC698009	set	£49.40
14"	Red band tyre insert, set of 4	AC698006	set	£55.90
15"	Red band tyre insert, set of 4	AC698005	set	£55.90





# CABLES AND CONTROLS

Cables listed may not be suitable for vehicles with engine conversions, please call for advice.

Choose LHD (left hand drive) or RHD (right hand drive) for the cable you require - UK spec cars are RHD.

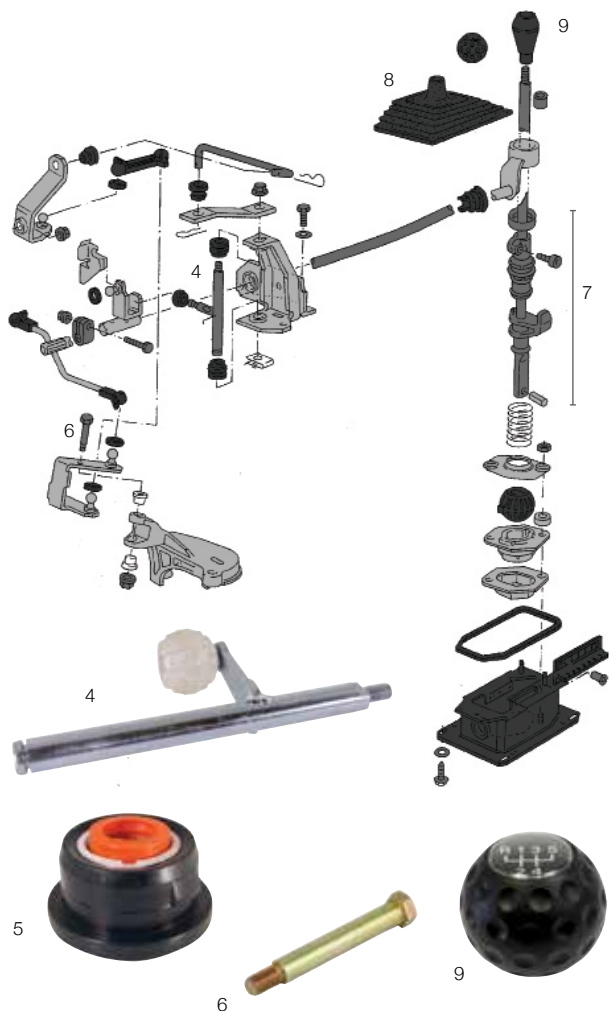
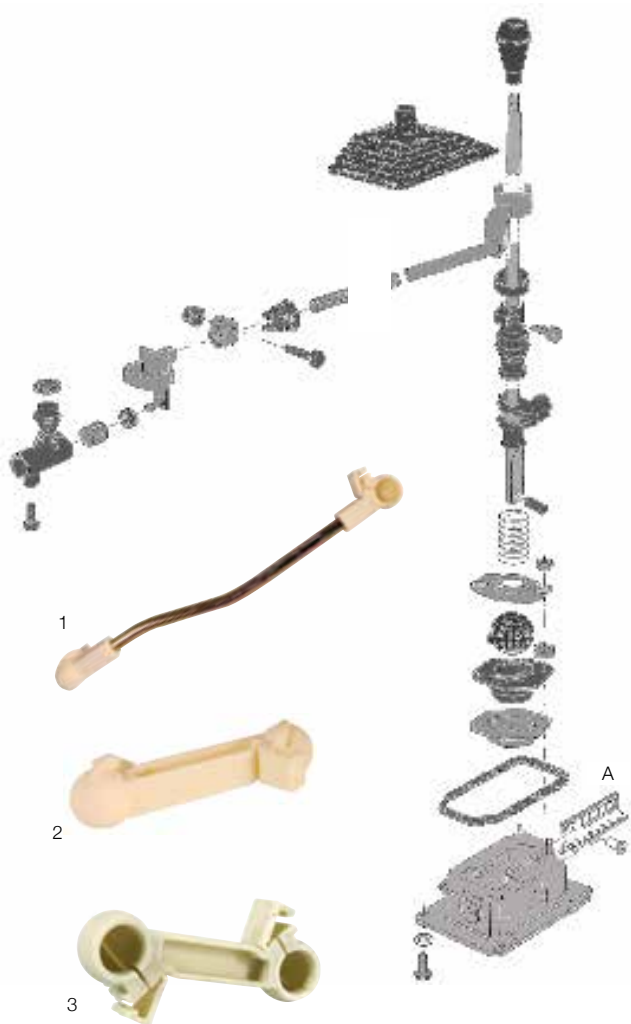


Your gear change problems could just be down to a broken or worn bush.

Carrying a spare clutch and accelerator cable is never a bad idea - you might need it one day.

## 1050-1300CC SHIFT RODS, BUSHES AND FITTINGS

## 1600-1800CC SHIFT RODS, BUSHES AND FITTINGS



1	Front selector rod, 1600-1800cc (cranked)	191-711-574	each	£5.00
2	Selector rod, 4 speed, 1600-1800cc (straight)	191-711-595	each	£2.00
3	Selector rod, 5 speed, 1600-1800cc (straight)	191-711-595/A	each	£1.25
	Guide for reverse gear	191-711-146/C	each	£0.70

4	Relay shaft with ball, 1600-1800cc	191-711-173/B	each	£15.00
5	Bearing ring, shift rod, 4+5 speed, 1050-1800cc	191-711-190/B	each	£6.10
6	Bolt for transmission relay lever, 1600-1800cc	191-711-199	each	£1.70
7	Gear lever	191-711-116/C	each	£7.20
8	Gear lever gaitor, leather	191-711-113/A	each	£23.60
9	Golf ball gear knob, 5 speed	171-711-141/E	each	£22.50

REPAIR KITS



1	Socket & ball repair kit, 1050-1800cc	191-798-116/A	kit	£9.00
2	Bushing overhaul kit, 1600-1800cc	191-798-211/S	kit	£8.30
3	Gear shift repair kit, 1600-1800cc	191-798-000/Comp	kit	£18.30

AUTOMATIC TRANSMISSION PARTS

Gearbox cable, automatic models	191-713-263	each	£98.00
---------------------------------	-------------	------	--------

UPGRADES & CUSTOM PARTS

USRT GEARSHIFTER PARTS

Upgrade to the USRT bushing or linkage kit for a smoother and more positive gear change. Please note, these do no alter the throw of the gear change.

1	Smart shift linkage kit, for 020 gearbox	WC798002	kit	£161.70
2	USRT Delrin bushing kits	WC798004	kit	£39.80



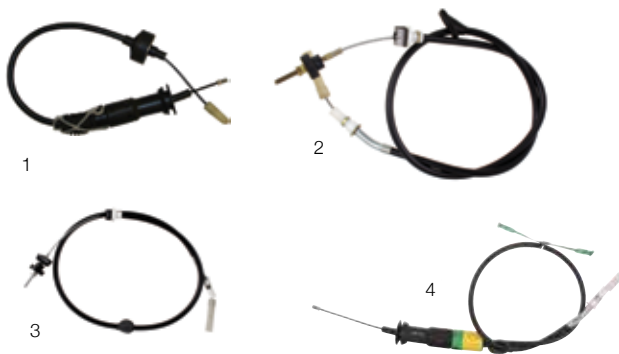
# CABLES AND CONTROLS

## ACCELERATOR CABLES



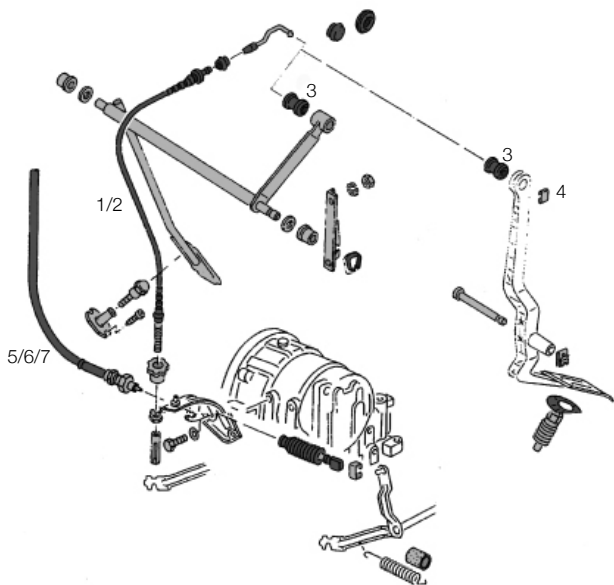
LHD			
	1050-1800cc carb models, 1068mm	171-721-555/T	each <b>£12.00</b>
1	Diesel, 914mm	357-721-555/A	each <b>£9.50</b>
2	1800 8v/16v GTI ,	191-721-555	each <b>£9.95</b>
RHD			
3	1050-1800cc Carb models, 1360mm	192-721-555	each <b>£16.10</b>
	Diesel, 1206mm	192-721-555/B	each <b>£22.60</b>
	1800cc 8v/ 16v GTi, 1084mm	192-721-555/A	each <b>£16.10</b>
	Bush, cable to pedal LHD or RHD	191-723-559	each <b>£1.95</b>

## CLUTCH CABLE



LHD			
	1050-1300cc, 1098mm	191-721-335/R	each <b>£8.95</b>
	1600-1800cc, 7/89, 803mm	191-721-335/M	each <b>£8.95</b>
1	Diesel / Turbo Diesel, auto adjustment	191-721-335/AB	each <b>£16.10</b>
RHD			
2	1050-1300c, 84-85	192-721-335/B	each <b>£19.30</b>
	1050-1300cc, 86-91, 1497mm	192-721-335/J	each <b>£13.00</b>
3	1600-1800cc, manual adjustment	192-721-335/G	each <b>£11.00</b>
4	1600-1800cc, auto adjustment	192-721-335/H	each <b>£25.20</b>

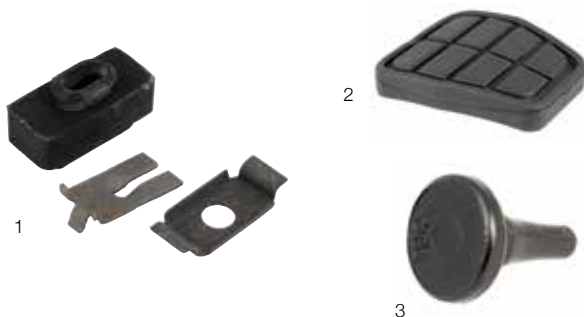
## AUTOMATIC MODELS



Note: Accelerator cable goes from the pedal to the gearbox. Bowden cable runs from the gearbox to the carb/throttle body.

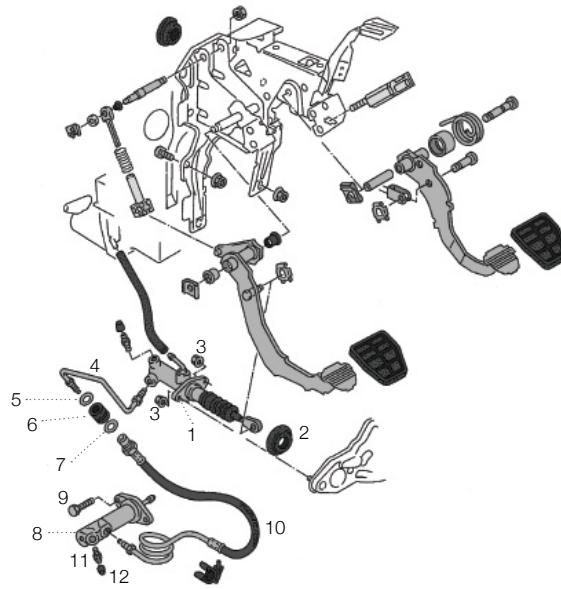
1	<b>Accelerator cable</b> , LHD, 1030mm, grey	191-723-555	each <b>£14.95</b>
2	<b>Accelerator cable</b> , RHD, 1450mm, orange	192-723-555	each <b>£34.95</b>
3	<b>Bush</b> , cable to pedal	191-723-559	each <b>£1.95</b>
4	<b>Clip</b> , for above	171-721-563	each <b>£1.50</b>
5	<b>Bowden cable</b> , 1600-1800cc, blue	010-321-309/K	each <b>CALL</b>
6	<b>Bowden cable</b> , Diesel, white	010-321-307/B	each <b>£125.00</b>
7	<b>Bowden cable</b> , 1800 8v/16v GTi	089-321-307	each <b>£115.00</b>

## CLUTCH CABLE AND PEDAL FITTINGS



1	<b>Installation kit</b> , for manual adjustment cable	171-798-105	each <b>£3.90</b>
	<b>Installation kit</b> , for auto adjustment cable	533-798-105	each <b>£2.95</b>
2	<b>Clutch pedal rubber</b>	321-721-173	each <b>£1.25</b>
	<b>Rubber stop</b> , for clutch pedal, RHD	171-721-232	each <b>£1.70</b>
	<b>Rubber stop</b> , for clutch pedal, LHD	171-721-989	each <b>£0.75</b>
3	<b>Stop buffer</b> , pedal cluster bracket, RHD	861-805-461	each <b>£1.70</b>

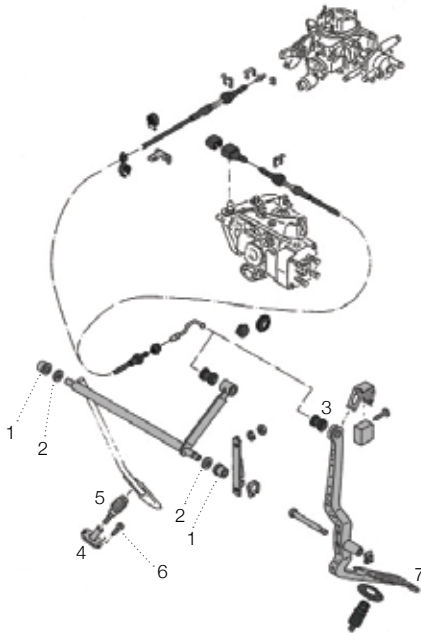
HYDRAULIC CLUTCH FOR 02A GEARBOX G60 / RALLYE MODELS



1	<b>Master cylinder</b>	357-721-401	each	<b>£35.94</b>
2	<b>Gasket, master cylinder to bulkhead</b>	357-721-410	each	<b>£4.95</b>
3	<b>Nut for above</b>	N90-215-802	each	<b>CALL</b>
4	<b>Pipe, master cylinder to slave cylinder</b>	191-721-477	each	<b>NCA</b>
5	<b>Washer, master cylinder side</b>	431-721-493	each	<b>£1.45</b>
6	<b>Bush</b>	357-721-489	each	<b>£3.50</b>

7	<b>Washer, slave cylinder side</b>	431-721-494	each	<b>£1.45</b>
8	<b>Slave cylinder, G60 models</b>	357-721-261/A	each	<b>£37.50</b>
9	<b>Bolt, for above, m8 x35</b>	N10-195-301	each	<b>£4.50</b>
10	<b>Hose, for above</b>	357-721-465/A	each	<b>£99.95</b>
11	<b>Bleed nipple</b>	357-615-273	each	<b>£1.70</b>
12	<b>Dust cover, for above</b>	211-611-483	each	<b>£0.55</b>

ACCELERATOR PEDAL



1	<b>Bush, pedal shaft bearing</b>	431-723-543	each	<b>£1.25</b>
2	<b>Washer, for above</b>	N01-152-711	each	<b>£0.80</b>
3	<b>Bush, for accelerator cable</b>	191-721-559	each	<b>CALL</b>
4	<b>Plate, for pedal stopper</b>	192-721-531	each	<b>NLA</b>
5	<b>Stopper, RHD models only</b>	192-721-527	each	<b>£3.95</b>
6	<b>Screw, for plate above</b>	N01-397-34	each	<b>£0.65</b>
7	<b>Pedal rubber</b>	171-721-647	each	<b>£12.49</b>





# BODY

3 door or 5 door, early or late. There's a whole host of options when it comes to parts for the body - be careful!

Sadly GTi and big bumper models feature lots of water traps and are prone to rust. Is it time to check what that body kit is hiding?



Big bumper models were never fitted with a front valance - looking to convert? Budget for that too.

Check how thick your side trims are before ordering arches. '90 spec vehicles had much slimmer profile trims. Sadly these trims are not currently available to us.

## SMALL BUMPERS, ALL MODELS >1992 GTI >8/1989



1	<b>Front bumper</b> , black, no trim	191-807-103	each	<b>£53.10</b>
	<b>Front bumper</b> , black, red trim	191-807-103/C	each	<b>£59.00</b>
	<b>Front bumper</b> , black, chrome trim	191-807-103/A	each	<b>£59.00</b>
	<b>Rear bumper</b> , black, no trim	191-807-301	each	<b>£51.30</b>
2	<b>Rear bumper</b> , black, red trim	191-807-301/R	each	<b>£53.10</b>
3	<b>Rear bumper</b> , black, chrome trim	191-807-301/C	each	<b>£57.00</b>

	<b>Jetta</b> , rear bumper, black, genuine	165-807-301	each	<b>£355.40</b>
	<b>Jetta</b> , rear bumper, black, red trim, genuine	165-807-301/H	each	<b>£384.40</b>
	<b>Bolt</b> , bumper iron to body, front, 2 per side	N90-258-901	each	<b>£3.30</b>
	<b>Bolt</b> , bumper iron to body, rear, 2 per side	N90-309-201	each	<b>£2.80</b>
	<b>Wing</b> , mounted clip for bumper, 1 per side	191-807-193	each	<b>£4.40</b>
	<b>Grommet</b> , for above, 1 per side	N90-174-201	each	<b>£1.10</b>

## BIG BUMPER, GTI MODELS 8/89 > NOT RALLYE



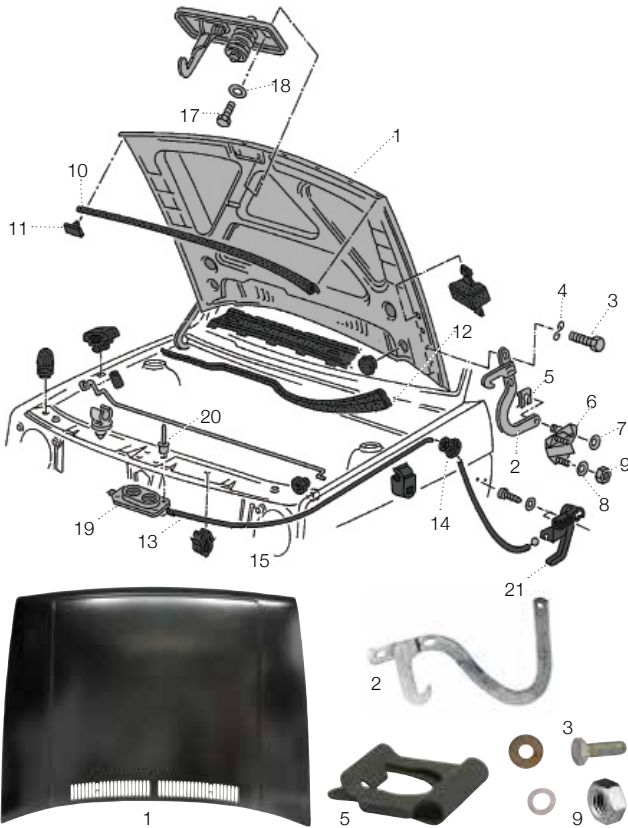
## FRONT SPOILER FOR SMALL BUMPER MODELS



	<b>Front bumper</b> , unpainted, no fog light holes	191-807-103/F	each	<b>£65.00</b>
1	<b>Front bumper</b> , unpainted, with fog light holes	191-807-103/G	each	<b>£69.30</b>
	<b>Rear bumper</b> , unpainted	191-807-301/AC	each	<b>£94.80</b>
	<b>Jetta rear bumper</b>	165-805-301/N	each	<b>NLA</b>
2	<b>Bolt</b> , bumper iron to body, front, 2 per side	N90-305-901	each	<b>£3.95</b>
	<b>Bolt</b> , bumper iron to body, rear, 2 per side	N90-309-201	each	<b>£2.80</b>
3	<b>Wing</b> , mounted clip for bumper, front, 2 per side	165-807-193/B	each	<b>£4.40</b>
	<b>Wing</b> , mounted clip for bumper, rear, 2 per side	1H0-807-193	each	<b>£5.50</b>
4	<b>Grommet</b> , for above, 2 per side	N90-174-201	each	<b>£1.10</b>
	<b>Towing eye cover</b> , for big bumper	191-807-441/A	each	<b>£10.00</b>
	<b>Big bumper kits</b> , front and rear spoiler			
	With fogs	WC898002B	each	<b>£225.70</b>
	Without fogs	WC898002A	each	<b>£208.90</b>

1	<b>Front spoiler</b> , GTI >86, all models >92	191-805-903/A	each	<b>£29.00</b>
2	<b>Front spoiler</b> , GTI 8v spec	191-805-903/C	each	<b>£30.10</b>
	<b>Expanding nut</b> , fits into front apron, 6 req	N90-206-501	each	<b>£0.80</b>
	<b>Screw</b> , for above	N01-594-61	each	<b>£0.80</b>
	<b>Washer</b> , for above	N01-166-615	each	<b>£0.30</b>
	<b>Front spoiler</b> , big bumper			
	Left, GTI	191-805-903/J	each	<b>£30.10</b>
3	Right, GTI	191-805-904/C	each	<b>£30.10</b>
4	Left, non GTI	191-805-903/K	each	<b>£9.00</b>
5	Right, non GTI	191-805-904/D	each	<b>£9.00</b>

BONNET



1	<b>Models up to 1988</b>	191-823-031/A	each	<b>£96.60</b>
	<b>Models 1989&gt;</b>	191-823-031/E	each	<b>£67.40</b>
2	<b>Bonnet hinge, left</b>	161-823-301/A	each	<b>£42.00</b>
	<b>Bonnet hinge, right</b>	161-823-302/A	each	<b>£34.99</b>
3	<b>Bolt, bonnet to hinge, m6 x 18</b>	N01-021-612	each	<b>£1.10</b>
4	<b>Washer, for above</b>	211-805-243	each	<b>£1.20</b>
5	<b>Locking washer, hinge to bearing bracket</b>	N90-047-001	each	<b>£2.80</b>
6	<b>Bearing bracket, for hinge</b>	191-823-643	each	<b>£9.95</b>
7	<b>Washer, for top stud, bracket to inner wing</b>	N01-222-93	each	<b>£0.60</b>
8	<b>Washer, for both studs, bracket to body</b>	N03-801-01	each	<b>£0.25</b>
9	<b>Nut, for both studs, bracket to body</b>	N01-100-624	each	<b>£0.20</b>
10	<b>Bonnet seal, inner front edge</b>	191-823-737/A	each	<b>£8.95</b>
11	<b>Clip, for above (10 req)</b>	251-823-717	each	<b>£0.50</b>
12	<b>Seal, for bulkhead</b>	701-823-737	each	<b>£29.95</b>

BONNET CABLE, CATCH AND FITTINGS



13	<b>Bonnet cable, rhd</b>	192-823-531	each	<b>£5.95</b>
14	<b>Grommet for cable through bulkhead</b>	357-823-591	each	<b>£2.50</b>
15	<b>Clip, cable to body</b>	191-823-567	each	<b>£0.95</b>
16	<b>Bonnet catch, upper, LHD</b>	191-823-507	each	<b>£25.20</b>
	<b>Bonnet catch, upper, RHD</b>	192-823-507	each	<b>£33.60</b>
17	<b>Bolt, for above</b>	N01-021-226	each	<b>£1.10</b>
18	<b>Washer, for above</b>	N01-166-610	each	<b>£0.60</b>
19	<b>Bonnet, catch, lower, LHD</b>	191-823-509	each	<b>£9.50</b>
	<b>Bonnet, catch, lower, RHD</b>	192-823-509	each	<b>£25.60</b>
20	<b>Rivet, for above</b>	N90-478-601	each	<b>£0.95</b>
21	<b>Bonnet cable pull handle</b>	192-823-533	each	<b>£8.30</b>

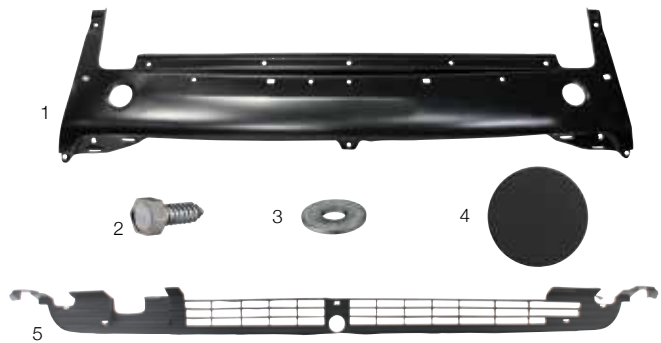
UPGRADES & CUSTOM PARTS

BONNET BRA AND LIFTERS



	<b>Bonnet lifters</b>	WC823FKHL17	each	<b>£19.00</b>
1	<b>Bonnet bra</b>	WC853012	each	<b>£51.60</b>
	<b>Under bonnet sound proofing</b>	191-863-835/A	each	<b>£43.00</b>

FRONT VALANCE



1	<b>Front valance, small bumper models only</b>	191-805-595/B	each	<b>£26.00</b>
2	<b>Bolts, for above, 5 req</b>	N01-594-61	each	<b>£0.80</b>
3	<b>Washer, for above</b>	N01-166-615	each	<b>£0.30</b>
4	<b>Drain plug grommet, for apron</b>	N90-220-501	each	<b>£1.25</b>
5	<b>Grille, for front valance</b>	191-853-677/C	each	<b>£26.90</b>
	<b>Towing eye cover, for above</b>	191-853-696/B	each	<b>£8.30</b>

FRONT SECTION AND SLAM PANEL



1	<b>Front, panel assembly</b>	191-805-591	each	<b>£33.00</b>
2	<b>Rubber, stopper for bonnet</b>	867-827-500/A	each	<b>£2.20</b>
3	<b>Bonnet stay, retaining clip</b>	357-823-397	each	<b>£2.20</b>
	<b>Grommet, for bonnet stay</b>	171-823-395	each	<b>£3.95</b>

SCUTTLE PANEL



1	<b>Scuttle panel, needs mod for RHD 87&gt;</b>	191-817-115	each	<b>£54.00</b>
	<b>Rain tray cover, plastic, RHD</b>	192-819-415/C	each	<b>NCA</b>
	<b>Seal, for above</b>	701-823-737	each	<b>£29.95</b>

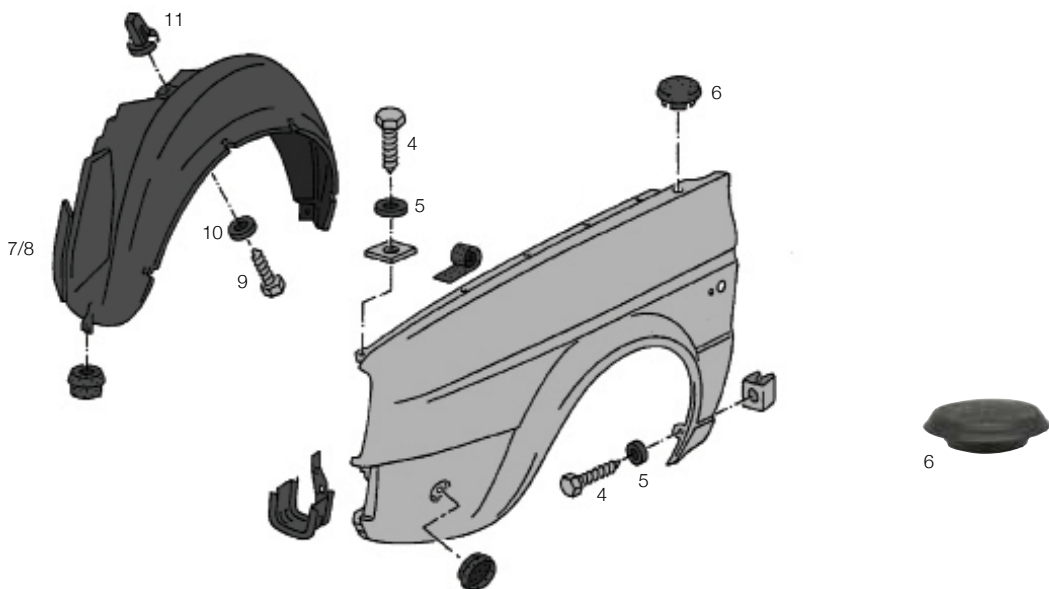








FRONT WINGS OUTER



1	>1987, no side indicator, left	191-821-021/A	each	£39.20
2	>1987, no side indicator, right	191-821-022/A	each	£39.20
3	1988>, with hole for indicator, left	191-821-021/E	each	£40.00
3	1988>, with hole for indicator, right	191-821-022/E	each	£40.00
4	Wing fixing bolt	N01-594-61	each	£0.80

5	Washer, for above	N01-166-615	each	£0.30
	Wing fitting kit, 1 per wing	191-898-051	each	CALL
	Rubber, guide piece for bonnet	191-823-493	each	£5.95
6	Aerial, blanking grommet	443-821-169	each	£2.80

ARCH LININGS AND FITTINGS



7	Arch liner, front left, repro	191-809-961/G	each	£19.00
8	Arch liner, front right, repro	191-809-962/K	each	£19.00
9	Screw, for above	N01-388-45	each	£0.85
10	Washer, for above	N01-166-53	each	£0.50

11	Expanding nut, for above	811-807-577/C	each	£0.35
12	Arch liner, rear left, repro	191-803-423	each	£15.00
	Arch liner, rear right, repro	191-803-424	each	£15.00

FRONT WINGS INNER



1



2



3



4

1	Engine bay side panel, left, battery tray	191-803-105	each	£22.60
2	Engine bay side panel, right	191-803-106	each	£12.70
3	Inner wing upper, left	191-809-111	each	£26.90
4	Inner wing upper, right	191-809-112	each	£26.90

CHASSIS REPAIR SECTIONS



1

1	Rear side member, left	191-803-503/A	each	£79.00
	Rear side member, right	191-803-504/A	each	£79.00
	Rear side member repair, left	191-803-503/AR	each	£21.50
	Rear side member repair, right	191-803-504/AR	each	£21.50
	Jacking point stump	321-803-615	each	£5.89

SILLS



1



2



3

1	Inner sill, closing panel	191-803-225	each	£18.00
	Inner sill, closing panel	191-803-226	each	£18.00
2	Outer sill, 3 door model, left	191-809-847	each	£30.00
	Outer sill, 3 door model, right	191-809-848	each	£30.00
3	Outer sill, 5 door model, left	193-809-847	each	£19.20
	Outer sill, 5 door model, right	193-809-848	each	£19.20

FLOORPANS



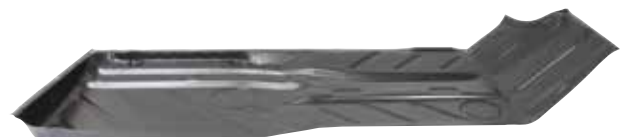
1



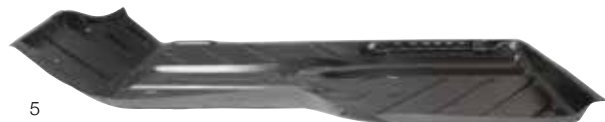
2



3



4



5

1	Front floor repair panel, left	191-803-203	each	£31.20
	Front floor repair panel, right	191-803-204	each	£28.10
2	Floorpan repair, outer edge, left	191-803-207/A	each	£35.00
	Floorpan repair, outer edge, right	191-803-208/A	each	£35.00
	Rear 1/4 floor repair panel, left	191-803-209	each	£30.00
3	Rear 1/4 floor repair panel, right	191-803-210	each	£30.00
4	Floorpan half, left	191-803-205/C	each	£49.00
5	Floorpan half, right	191-803-206/A	each	£49.00

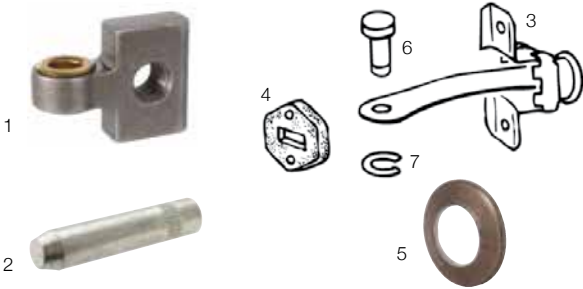


## DOOR REPAIR PANELS



1	<b>Front door lower repair plate, 3 door, left</b>	191-831-101/A	each	<b>£12.00</b>
	<b>Front door lower repair plate, 3 door, right</b>	191-831-102/A	each	<b>£12.00</b>
2	<b>Front door lower repair plate, 5 door, left</b>	193-831-101	each	<b>£17.50</b>
3	<b>Front door lower repair plate, 5 door, right</b>	193-831-102	each	<b>£17.50</b>
	<b>Rear door lower repair plate, 5 door, left</b>	193-833-101	each	<b>£16.10</b>
	<b>Rear door lower repair plate, 5 door, right</b>	193-833-102	each	<b>£16.10</b>

## HINGES AND CHECK STRAPS



1	<b>Door hinge half, left or right</b>	321-831-403	each	<b>£7.70</b>
2	<b>Hinge pin, for above</b>	321-831-421	each	<b>£1.70</b>
	<b>Bolt for hinge to body, m10x15</b>	N90-307-901	each	<b>£1.95</b>
3	<b>Check strap, all models, front or rear, left or right</b>	1H4-839-249	each	<b>£39.95</b>
4	<b>Gasket, for above</b>	867-837-267	each	<b>£7.50</b>
5	<b>Bolt, for above</b>	N01-021-612	each	<b>£1.10</b>
	<b>Washer, for above</b>	111-837-941	each	<b>£0.50</b>
	<b>Boot for check strap, (inside door)</b>	191-837-323/A	each	<b>£5.95</b>
	<b>Bellows for check strap, front</b>	191-971-916/A	each	<b>CALL</b>
	<b>Bellows for check strap, rear</b>	321-971-916	each	<b>CALL</b>
6	<b>Pin, check strap to body</b>	1H0-837-257	each	<b>£1.25</b>
7	<b>Nut for pin</b>	191-837-270	each	<b>£0.85</b>

## DOOR SEALS



1	<b>Door surround seal, 3 door, cut down for 5 door, reproduction</b>	191-867-365/C	each	<b>£48.40</b>
2	<b>Door surround seal, 3 door, cut down for 5 door, genuine</b>	191-867-365/CC	each	<b>£81.00</b>
3	<b>Door surround seal, 5 door only, cut down for rear, reproduction</b>	193-867-365	each	<b>£58.00</b>

## DOOR HANDLES



1	<b>Front left, reproduction</b>	191-837-205/A	each	<b>£7.00</b>
	<b>Front left, genuine</b>	191-837-205/A/G	each	<b>£60.10</b>
	<b>Front right, reproduction</b>	191-837-206/A	each	<b>£7.00</b>
	<b>Front right, genuine</b>	191-837-206/A/G	each	<b>£60.10</b>
	<b>Rear left, reproduction</b>	193-839-205	each	<b>£7.00</b>
	<b>Rear right, reproduction</b>	193-839-206	each	<b>£7.00</b>
2	<b>Gasket, for above, small</b>	191-837-209	each	<b>£2.40</b>
3	<b>Gasket, for above, large</b>	191-837-211	each	<b>£2.50</b>
	<b>Screw, for above, in door shut</b>	N01-413-87	each	<b>£0.30</b>
	<b>Washer, for above</b>	111-837-941	each	<b>£0.50</b>
	<b>Screw for handle, under trim</b>	N01-413-13	each	<b>£1.20</b>
	<b>Washer, for above</b>	N01-222-24	each	<b>£0.40</b>
4	<b>Trim for handle, chrome, genuine</b>	433-837-239	each	<b>£6.10</b>
	<b>Trim for handle, black, genuine</b>	191-837-239	each	<b>£10.00</b>

## DOOR HANDLES AND LOCK SET



<b>Door handle and lock set</b>	191-898-081	set	<b>£20.60</b>
---------------------------------	-------------	-----	---------------

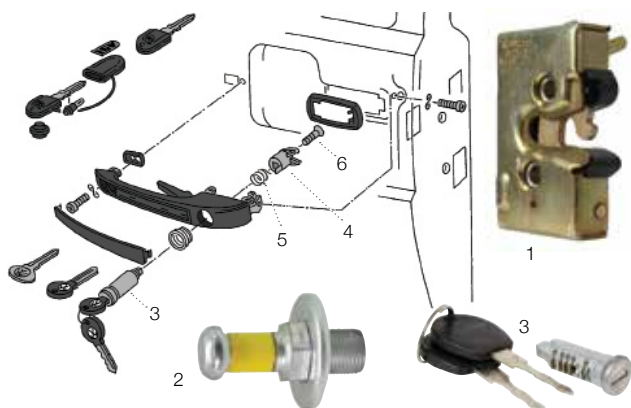
**UPGRADES & CUSTOM PARTS**

## DOOR LOCKS AND STRIKERS



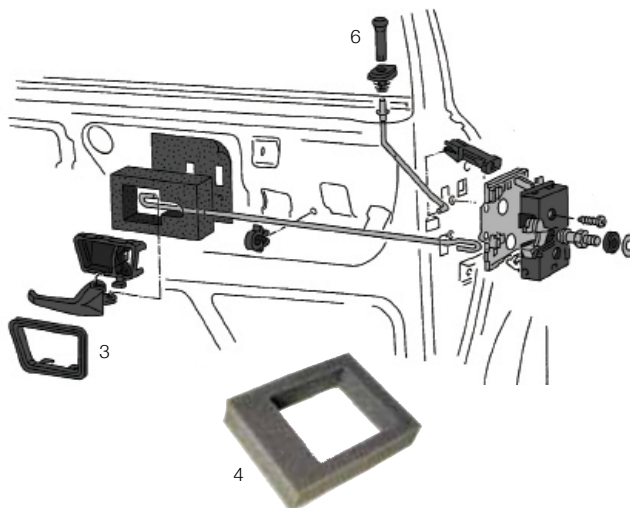
1	<b>Chrome lock mechanism, front, chrome</b>	191-898-015/C	each	<b>£24.00</b>
2	<b>Striker bolts, chrome, pair</b>	191-898-034/C	each	<b>£18.30</b>
3	<b>Interior door pull handles, chrome</b>	191-898-225/C	each	<b>£8.00</b>
4	<b>Chrome front door handles</b>	171-898-200/C	each	<b>£20.00</b>
5	<b>Chrome rear door handles</b>	171-898-300/C	each	<b>£20.00</b>
6	<b>Armoured handle plates</b>	WC898200	each	<b>£24.00</b>

## DOOR LOCKING MECHANISM



	<b>Lock mechanism, front left, RHD</b>	192-837-015/A	each	<b>£50.10</b>
1	<b>Lock mechanism, front right, RHD</b>	192-837-016/A	each	<b>£21.50</b>
	<b>Lock mechanism, rear left</b>	327-839-015/B	each	<b>£23.60</b>
	<b>Lock mechanism, rear right</b>	327-839-016/B	each	<b>£21.95</b>
	<b>Bolt, mechanism to door</b>	N02-141-63	each	<b>£1.50</b>
2	<b>Striker bolt, 2 door models</b>	191-837-034	each	<b>£8.95</b>
	<b>Striker bolt, 5 door models, front or rear</b>	357-837-034	each	<b>£2.50</b>
	<b>Plastic washer, for above, 2 door models</b>	N90-433-601	each	<b>£0.75</b>
	<b>Plastic washer, for above, 5 door models, front or rear</b>	N90-338-501	each	<b>£0.75</b>
	<b>Metal washer, for above, all models</b>	823-837-057/A	each	<b>NLA</b>
3	<b>Lock barrel &amp; key, left or right</b>	191-837-061	each	<b>£8.00</b>
4	<b>Barrel latch</b>	191-837-223	each	<b>£6.60</b>
5	<b>Spring</b>	311-837-221	each	<b>£3.60</b>
6	<b>Screw, for above</b>	N03-011-91	each	<b>£0.50</b>

## INTERIOR LOCKING MECHANISM



1	<b>Door pull release handle, black, left</b>	191-837-225	each	<b>£7.94</b>
	<b>Door pull release handle, black, right</b>	191-837-226	each	<b>£7.70</b>
2	<b>Door pull housing, black, left</b>	321-837-235/A/01C	each	<b>£3.50</b>
	<b>Door pull housing, black, right</b>	321-837-236/A/01C	each	<b>£3.50</b>
3	<b>Door pull surround, black, left</b>	321-837-247/01C	each	<b>£5.40</b>
	<b>Door pull surround, black, right</b>	321-837-248/01C	each	<b>£4.80</b>
4	<b>Seal for door operating lever</b>	171-837-241	each	<b>£5.50</b>
5	<b>Clip, mechanism push rod to inside of door</b>	321-837-199	each	<b>£0.50</b>
6	<b>Guide, for door lock pull knob</b>	191-867-109	each	<b>NCA</b>
7	<b>Door lock pull knob, black</b>	191-837-187/O/C	each	<b>£2.50</b>





## REAR ARCHES AND REPAIR PANELS



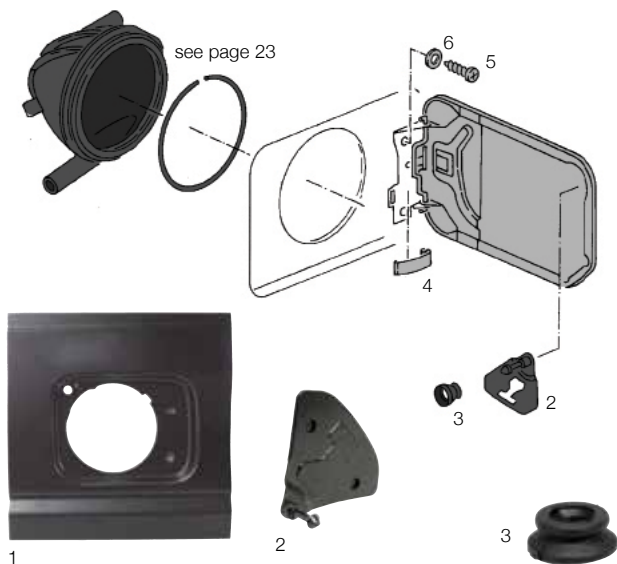
1	<b>Rear wheel arch</b> , 3 door models, left	191-809-833	each	<b>£20.00</b>
	<b>Rear wheel arch</b> , 3 door models, right	191-809-834	each	<b>£20.00</b>
2	<b>Rear wheel arch</b> , 5 door models, left	193-809-833	each	<b>£19.30</b>
	<b>Rear wheel arch</b> , 5 door models, right	193-809-834	each	<b>£19.30</b>
	<b>Inner rear wheel arch</b> , all models exc Rallye, left	191-803-433	each	<b>£16.10</b>
3	<b>Inner rear wheel arch</b> , all models exc Rallye, right	191-803-434	each	<b>£16.10</b>
	<b>Rear lower corner repair</b> , all models exc Rallye/Jetta, left	191-809-615	each	<b>£18.60</b>
4	<b>Rear lower corner repair</b> , all models exc Rallye/Jetta, right	191-809-616	each	<b>£18.60</b>

## REAR PANEL AND VALANCE



1	<b>Rear Valance</b> , below badge plinth, all models	191-813-304	each	<b>£31.20</b>
2	<b>Rear Panel</b> , short, below tail lamps, all models	191-813-305/G	each	<b>£53.20</b>
3	<b>Rear Panel</b> , complete, to top of tail lamps, not Jetta	191-813-301/H	each	<b>£104.00</b>

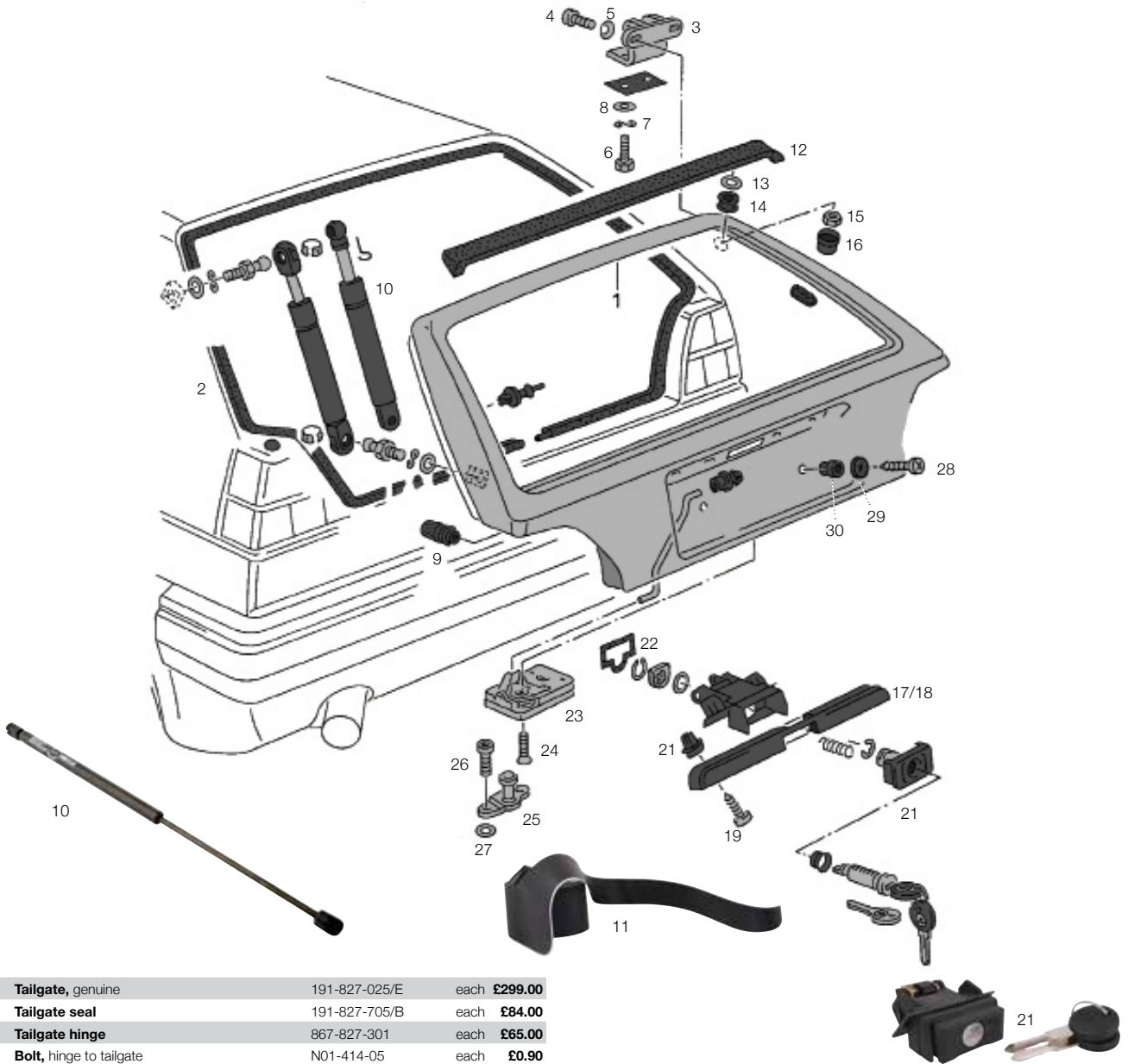
## FUEL FILLER FLAP



1	<b>Fuel filler repair panel</b>	191-809-870/A	each	<b>£15.00</b>
2	<b>Pin for fuel flap</b> , models with central locking only	191-809-942	each	<b>£5.10</b>
3	<b>Seal</b> , for above	191-862-287	each	<b>£2.10</b>
4	<b>Leaf spring</b> , for hinge	443-809-931	each	<b>£3.50</b>
5	<b>Screw</b> , fuel flap to body	N01-396-81	each	<b>£0.80</b>
6	<b>Washer for above</b>	N01-166-53	each	<b>£0.50</b>



TAILGATE



1	<b>Tailgate, genuine</b>	191-827-025/E	each	<b>£299.00</b>
2	<b>Tailgate seal</b>	191-827-705/B	each	<b>£84.00</b>
3	<b>Tailgate hinge</b>	867-827-301	each	<b>£65.00</b>
4	<b>Bolt, hinge to tailgate</b>	N01-414-05	each	<b>£0.90</b>
5	<b>Washer, for above</b>	111-837-941	each	<b>£0.50</b>
6	<b>Bolt, hinge to body, M6x15</b>	N01-021-527	each	<b>£0.80</b>
7	<b>Spring washer, for above</b>	N01-200-64	each	<b>£0.50</b>
8	<b>Washer, for above</b>	N01-166-615	each	<b>£0.30</b>
9	<b>Rubber stop buffer</b>	191-827-499/A	each	<b>£4.95</b>
	<b>Rubber boot, for wiring /washers</b>	191-971-840	each	<b>£5.95</b>
10	<b>Gas strut</b>	191-827-550/B	each	<b>£9.00</b>
	<b>Clip, for interior panel</b>	801-867-299/01C	each	<b>£1.20</b>

SPOILER AND TRIM

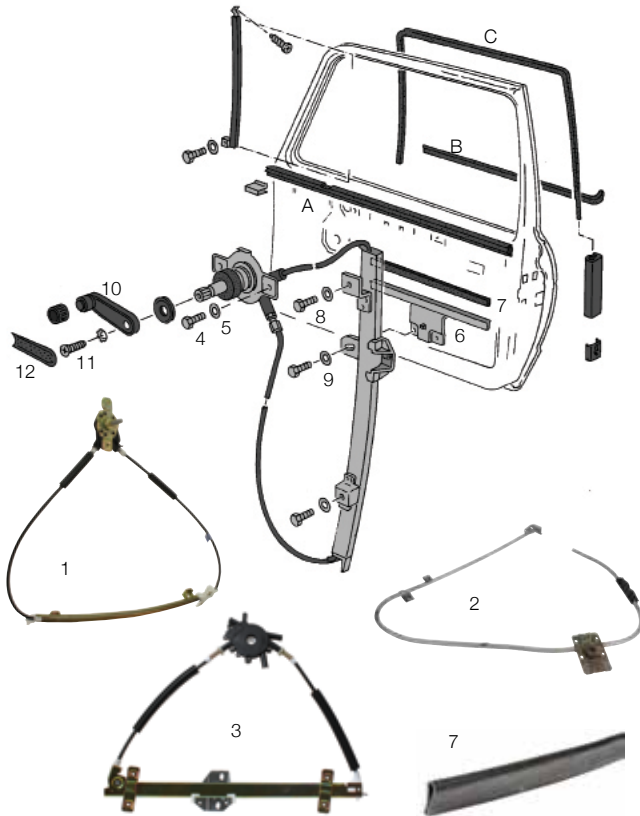
11	<b>Tailgate surround decal, GTi models, black</b>	191-853-042/6BX	each	<b>£30.00</b>
12	<b>Spoiler</b>	191-827-933	each	<b>NLA</b>
13	<b>Washer, for above</b>	N01-165-21	each	<b>£2.90</b>
14	<b>Grommet, through glass</b>	191-827-976	each	<b>£0.80</b>
15	<b>Nut, for above</b>	171-857-026/A	each	<b>£0.50</b>
16	<b>Cap, for nut above</b>	N10-029-701	each	<b>£0.40</b>

REAR PANEL AND VALANCE

17	<b>Rear hatch handle, black</b>	191-827-577/C	each	<b>£21.95</b>
18	<b>Rear hatch handle, primed</b>	191-827-577/A	each	<b>£40.95</b>
19	<b>Screw for above</b>	N01-393-51	each	<b>£0.80</b>
20	<b>Expanding nut for above</b>	1H6-827-584/A	each	<b>£0.95</b>
21	<b>Hatch lock, inc barrel and keys</b>	191-827-571/D	each	<b>£8.50</b>
22	<b>Lock to body gasket</b>	191-827-594	each	<b>£1.25</b>
23	<b>Lock mechanism</b>	191-827-505	each	<b>NCA</b>
24	<b>Bolt, for above, M8 x32</b>	N02-141-63	each	<b>£1.50</b>
25	<b>Striker plate</b>	191-827-511	each	<b>£9.95</b>
26	<b>Bolt, for above</b>	N01-477-02	each	<b>£0.95</b>
27	<b>Washer, for above</b>	211-843-661	each	<b>£0.70</b>
28	<b>Number plate screw</b>	N01-397-520	each	<b>£0.35</b>
29	<b>Sealing washer</b>	171-853-919	each	<b>£0.95</b>
30	<b>Insert nut for tailgate</b>	321-813-998/A	each	<b>£0.95</b>



**WINDOW WINDERS AND MECHANISMS**



1	>1987, front manual, left	191-837-401	each	£14.00
	>1987, front manual, right	191-837-402	each	£14.00
	>1987, front electric, left	191-837-461	each	£42.00
	>1987, front electric, right	191-837-462	each	£35.00
2	1988>, front manual, left	191-837-401/B	each	£15.00
	1988>, front manual, right	191-837-402/B	each	£15.00
3	1988>, front electric, left	191-837-461/A	each	£42.00
	1988-, front electric, right	191-837-462/A	each	£35.00
	Rear, manual, left	193-839-401	each	NCA
	Rear, manual, right	193-839-402	each	NCA
	Rear, electric, left	193-839-461	each	£90.00
	Rear, electric, right	193-839-462	each	£90.00
4	Bolt, mechanism to door	N90-529-301	each	£0.60
5	Washer for above	311-837-943	each	£0.50
6	Lifter channel, front, all models	191-837-571/A	each	£9.95
	Lifter channel, rear, all models	867-898-571	each	£17.95
7	Seal, channel to glass	831-837-565	each	£3.90
8	Bolt, channel to mechanism	N90-529-301	each	£0.60
9	Washer for above	311-837-943	each	£0.50

**WINDOW WINDER HANDLE**



10	Winder handle, black plastic	191-837-581	each	£2.50
11	Screw for above	N01-426-43	each	£0.60
12	Trim for winder handle, black	191-837-575/01C	each	£1.25

**FRONT DOOR QUARTER WINDOW SEALS**

For front 1/4 seals see page 58.

**INNER SCRAPERS - A**



1	3dr, -7/87, left	191-837-471	each	£30.00
	3dr, -7/87, right	191-837-472	each	£30.00
	3dr, 8/87-, left	191-837-471/C	each	£30.00
2	3dr, 8/87-, right	191-837-472/C	each	£30.00
	5dr, Front -7/87, left	193-837-471	each	£28.80
	5dr, Front -7/87, right	193-837-472	each	£28.80
	5dr, Front 8/87-, left	193-837-471/C	each	£28.80
	5dr, Front 8/87-, right	193-837-472/C	each	£28.80

**OUTER SCRAPERS - B**



1	Outer scraper, left	191-837-477/A	each	£34.00
	Outer scraper, right	191-837-478/A	each	£34.00
	Frame for outer scraper, black trim, left	191-853-283	each	£26.80
	Frame for outer scraper, black trim, right	191-853-284	each	£20.00
	Frame for outer scraper, chrome trim, left	191-853-283/A	each	£26.80
2	Frame for outer scraper, chrome trim, right	191-853-284/A	each	£20.00

You will need to trim the frame to fit >7/87 and 5 door models.

**LARGE FELT SEAL - C**



2	1	3dr, -7/87, plain, left	191-837-431	each	£69.50
		3 dr, -7/87, plain, right	191-837-432	each	£69.50
		3dr, -7/87, for trim, left	191-837-431/B	each	£69.50
		3dr, -7/87, for trim, right	191-837-432/B	each	£69.50
		3dr, 8/87-, plain, left	191-837-431/H	each	£124.20
		3dr, 8/87-, plain, right	191-837-432/H	each	£99.10
		3dr, 8/87-, for trim, left	191-837-431/E	each	£79.00
		3dr, 8/87-, for trim, right	191-837-432/E	each	£79.00
		5dr, -7/87, plain, left	193-837-431	each	£123.00
		5dr, -7/87, plain, right	193-837-432	each	£123.00
		5dr, -7/87, for trim, left	193-837-431/B	each	£76.30
1		5dr, -7/87, for trim, right	193-837-432/B	each	£76.30
2		5dr, 8/87-, plain, left	193-837-431/D	each	£123.00
		5dr, 8/87-, plain, right	193-837-432/D	each	£123.00
		5dr, 8/87-, for trim, left	193-837-431/C	each	NCA
		5dr, 8/87-, for trim, right	193-837-432/C	each	£95.00
3		Trim clip, scraper frame to large felt, black	191-853-349	each	£7.00
		Trim clip, scraper frame to large felt, chrome	191-853-349/A	each	£7.80

**REAR DOOR WINDOW SEALS, ALL YEARS**



1	Inner scraper, left	193-839-471	each	£27.00
	Inner scraper, right	193-839-472	each	£32.20
	Small upright felt guide, left	193-839-433	each	£12.00
	Small upright felt guide, right	193-839-434	each	£12.00



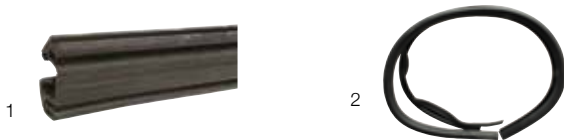
**REAR OUTER SCRAPERS, ALL YEARS**



1	<b>Outer scraper, left</b>	193-839-477/B	each	<b>£24.50</b>
	<b>Outer scraper, right</b>	193-839-478/B	each	<b>£24.50</b>
2	<b>Frame for rear outer scraper, -7/89, blk, left</b>	193-853-763/D	each	<b>£22.10</b>
	<b>Frame for rear outer scraper, -7/89, blk, right</b>	193-853-764/D	each	<b>£22.10</b>
3	<b>Frame for rear outer scraper, -7/89, chr, left</b>	193-853-763/F	each	<b>£14.00</b>
	<b>Frame for rear outer scraper -7/89, chr, right</b>	193-853-764/F	each	<b>£14.00</b>

Trim frames will need modifying to suit 8/89- models, currently later ones are NLA.

**REAR LARGE FELT SEAL, ALL YEARS**



	<b>Plain, left</b>	193-839-439/A	each	<b>NLA</b>
	<b>Plain, right</b>	193-839-440/A	each	<b>£67.20</b>
1	<b>For trim, left</b>	193-839-439	each	<b>£31.50</b>
2	<b>For trim, right</b>	193-839-440	each	<b>£31.50</b>

**REAR SMALL FELT GUIDE**

	<b>Rear small felt guide</b>			
	Left	193-839-433	each	<b>£12.00</b>
	Right	193-839-434	each	<b>£12.00</b>

**REAR 1/4 WINDOW SEAL, ALL YEARS (5 DOOR ONLY)**



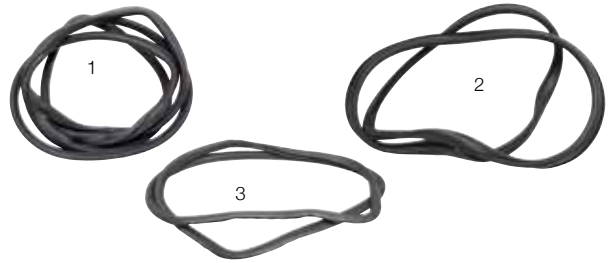
1	<b>Plain, left</b>	193-845-217/A	each	<b>£26.10</b>
	<b>Plain, right</b>	193-845-218/A	each	<b>£24.50</b>
	<b>For trim, left</b>	193-845-217/B	each	<b>£21.00</b>
	<b>For trim, right</b>	193-845-218/B	each	<b>NCA</b>

**JETTA SEALS**



	<b>Rear side seal, 3dr coupe, left</b>	165-845-321	each	<b>£62.00</b>
1	<b>Rear side seal, 3dr coupe, left, for trim</b>	165-845-321/A	each	<b>£62.00</b>
	<b>Rear side seal, 3dr coupe, right</b>	165-845-322	each	<b>£62.00</b>
	<b>Rear side seal, 3dr coupe, right, for trim</b>	165-845-322/A	each	<b>£62.00</b>
	<b>Rear screen, plain</b>	165-845-521	each	<b>NCA</b>
	<b>Rear screen, for trim</b>	165-845-521/A	each	<b>£87.40</b>

**FIXED WINDOW SEALS, WITHOUT TRIM**



1	<b>Front windscreen, all models exc Rallye/G60, genuine</b>	191-845-121	each	<b>£34.00</b>
	<b>Rear side seal, 3 door models, left</b>	191-845-321	each	<b>£51.30</b>
2	<b>Rear side seal, 3 door models, right</b>	191-845-322	each	<b>£51.30</b>
3	<b>Rear window seal, all models excluding Jetta</b>	191-845-521	each	<b>£76.80</b>

**FIXED WINDOW SEALS, FOR CHROME TRIM**



1	<b>Front windscreen, all models exc Rallye/G60, genuine</b>	191-845-121/A	each	<b>£49.00</b>
2	<b>Rear side seal, 3 door models, left</b>	191-845-321/A	each	<b>£42.00</b>
	<b>Rear side seal, 3 door models, right</b>	191-845-322/A	each	<b>£64.10</b>
	<b>Rear window seal</b>	191-845-521/A	each	<b>£63.40</b>
3	<b>Chrome trim, 4120mm length, trim to fit</b>	255-853-305	each	<b>£22.10</b>
4	<b>Joining clip, for chrome trim</b>	171-853-339/A	each	<b>£5.50</b>
5	<b>Tool for fitting, chrome window trim</b>	011-898-109	each	<b>£34.80</b>

**RALLYE / G60 WINDSCREEN MOULDING**

These models are fitted with a bonded screen. This can be replaced with normal glass and seal, or refitted with the parts below.

	<b>Windscreen moulding</b>	165-853-299/A	each	<b>£72.60</b>
	<b>Clip, for above</b>	165-853-339/B	each	<b>£4.10</b>

**FIND US ON FACEBOOK: VWHERITAGE**



**FOLLOW US ON TWITTER: @VWHERITAGE**





## WINDSCREEN



1	<b>Clear screen</b> , exc Rallye /G60	191-845-101	each	<b>£54.70</b>
2	<b>Green tint</b> , exc Rallye / G60	191-845-101/A	each	<b>£45.60</b>

## FRONT 1/4 LIGHT, INCLUDING SEAL



1	<b>Clear glass</b> , left	191-845-241	each	<b>£69.95</b>
	<b>Clear glass</b> , right	191-845-242	each	<b>£69.95</b>
2	<b>Clear</b> , for trim, left	191-845-241/A	each	<b>£61.80</b>
	<b>Clear</b> , for trim, right	191-845-242/A	each	<b>£61.80</b>
	<b>Green tint</b> , plain rubber, left	191-845-241/B	each	<b>£150.10</b>
	<b>Green tint</b> , plain rubber, right	191-845-242/B	each	<b>£82.10</b>
	<b>Green tint</b> , for trim, left	191-845-241/C	each	<b>£138.60</b>
	<b>Green tint</b> , for trim, right	191-845-242/C	each	<b>£82.10</b>

## FRONT DOOR GLASS



	<b>3dr, -7/87</b> , clear, left	191-845-201	each	<b>£53.70</b>
	<b>3dr, -7/87</b> , clear, right	191-845-202	each	<b>£53.70</b>
	<b>3dr, -7/87</b> , green tint, left	191-845-201/A	each	<b>£59.10</b>
	<b>3dr, -7/87</b> , green tint, right	191-845-202/A	each	<b>£59.10</b>
1	<b>3dr, 8/87-</b> , clear, left	191-845-201/C	each	<b>£41.80</b>
	<b>3dr, 8/87-</b> , clear, right	191-845-202/C	each	<b>£53.70</b>
2	<b>3dr, 8/87-</b> , green tint, left	191-845-201/D	each	<b>£47.30</b>
	<b>3dr, 8/87-</b> , green tint, right	191-845-202/D	each	<b>£47.30</b>
	<b>5dr, -7/87</b> , clear, left	193-845-201	each	<b>£53.70</b>
	<b>5dr, -7/87</b> , clear, right	193-845-202	each	<b>£53.70</b>
	<b>5dr, -7/87</b> , green tint, left	193-845-201/A	each	<b>£59.10</b>
	<b>5dr, -7/87</b> , green tint, right	193-845-202/A	each	<b>£59.10</b>
	<b>5dr, 8/87-</b> , clear, left	193-845-201/C	each	<b>£53.70</b>
	<b>5dr, 8/87-</b> , clear, right	193-845-202/C	each	<b>£53.70</b>
	<b>5dr, 8/87-</b> , green tint, left	193-845-201/D	each	<b>£59.10</b>
	<b>5dr, 8/87-</b> , green tint, right	193-845-202/D	each	<b>£59.10</b>

## REAR FIXED 1/4 GLASS, 3 DOOR MODELS



	<b>All years</b> , clear, left	191-845-301	each	<b>£44.10</b>
	<b>All years</b> , clear, right	191-845-302	each	<b>£44.10</b>
	<b>All years</b> , green tint, left	191-845-301/A	each	<b>£49.40</b>
	<b>All years</b> , green tint, right	191-845-302/A	each	<b>£49.40</b>

## REAR DOOR GLASS, 5 DOOR MODELS



	<b>All years</b> , clear, left	193-845-205	each	<b>£40.80</b>
	<b>All years</b> , clear, right	193-845-206	each	<b>£40.80</b>
	<b>All years</b> , green tint, left	193-845-205/A	each	<b>£45.10</b>
	<b>All years</b> , green tint, right	193-845-206/A	each	<b>£45.10</b>

## REAR 1/4 LIGHT GLASS, 5 DOOR MODELS



	<b>All years</b> , clear, left	193-845-215	each	<b>£23.60</b>
	<b>All years</b> , clear, right	193-845-216	each	<b>£23.60</b>
	<b>All years</b> , green tint, left	193-845-215/A	each	<b>£27.90</b>
	<b>All years</b> , green tint, right	193-845-216/A	each	<b>£27.90</b>

## REAR SCREEN



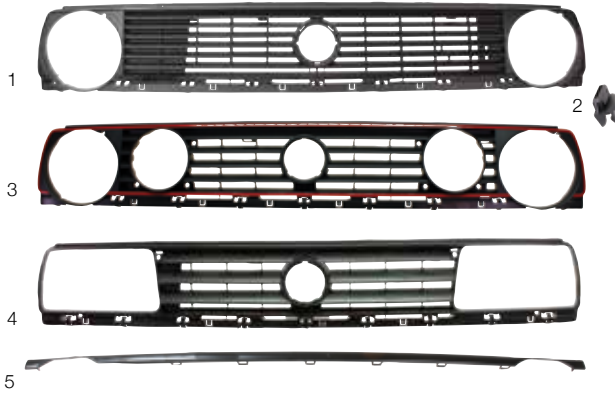
	<b>With heater elements</b> , clear	191-845-501	each	<b>£115.50</b>
	<b>With heater elements</b> , green tint	191-845-501/A	each	<b>£127.00</b>
1	<b>Plain glass</b> , clear	191-845-501/CLR	each	<b>£99.00</b>
	<b>Plain glass</b> , green tint	191-845-501/GRN	each	<b>£113.40</b>
	<b>GTi spec</b> , with holes for spoiler, clear	191-845-501/C	each	<b>£115.50</b>
2	<b>GTi spec</b> , with holes for spoiler, green tint	191-845-501/D	each	<b>£127.00</b>



WINDSCREEN

REAR FIXED 1/4 GLASS, 3 DOOR MODELS

## RADIATOR GRILLES



1	Single headlamp, black, no trim, -7/87	191-853-653	each	£33.30
	Single headlamp, black, no trim, 8/87-	191-853-653/B	each	£25.00
2	Securing clip, for above, 8/87- only, 2 req	165-853-674	each	£0.60
	Twin headlamp, black, no trim, -7/87, genuine	191-853-653/H	each	CALL
	Twin headlamp, black, no trim, 8/87-	191-853-653/F	each	£23.00
3	Twin headlamp, black, red trim, 8/87- genuine	191-853-653/K/QN5	each	£99.00
	Securing clip, for above, 2 req	871-853-393	each	£1.35
	Screw, for above, 2 req	N01-396-626	each	£0.80
	Jetta, black, no trim, -7/87	165-853-653/E	each	£16.90
4	Jetta, black, no trim, 8/87-	165-853-653/L	each	£11.10
	Securing clip, for above, 8/87- only, left	165-853-657	each	£4.40
	Securing clip, for above, 8/87- only, right	165-853-658	each	£4.40
5	Grille trim strip, round headlamp models	191-853-661	each	£15.00
	Grille trim strip, Jetta	165-853-661	each	£8.30

## BADGES FOR RADIATOR GRILLE



1	Golf -7/87, chrome	191-853-601	each	£21.00
	Golf -7/87, black	191-853-601/A	each	£10.80
2	Golf 8/87-, chrome	3A0-853-600	each	£24.70
	Golf 8/87-, black	323-853-601	each	£20.00
	Jetta -7/87, chrome	165-853-601	each	£9.00
	Jetta 8/87-, chrome	3A0-853-600	each	£24.70
	GTI badge, -7/87	191-853-679	each	£20.00
3	GTI badge, 8/87-	191-853-679/L	each	£20.00

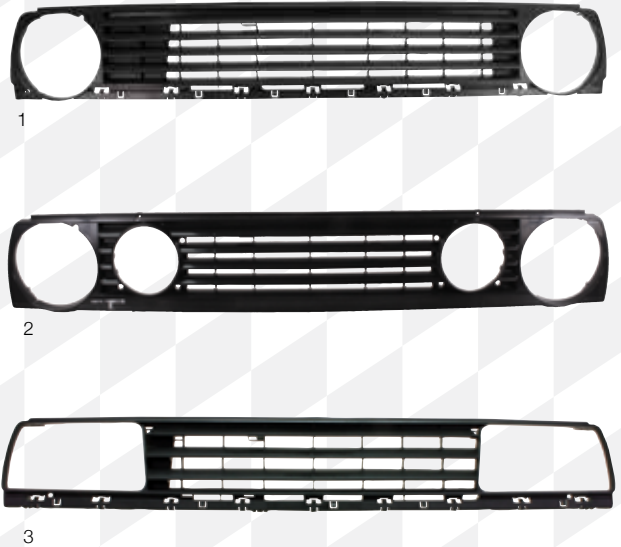
## BADGES



1	GTI side indicator blank, -7/87 black and chrome	191-853-688/J	each	NLA
2	Volkswagen script, -7/87, black and chrome	321-853-685/C	each	£25.60
3	VW badge -7/87, black and chrome	191-853-601/B	each	£22.10
4	Clip for above, 3 req	191-853-615/A	each	£0.90
	VW badge, 8/87- centre mount, chrome	191-853-601/G	each	NLA
	Clip for above, 2 req	865-853-231/A	each	£1.00

## UPGRADES & CUSTOM PARTS

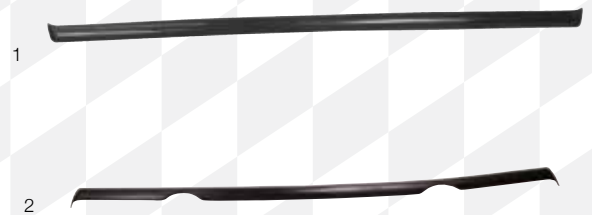
## DEBADGED GRILLES



1	Single headlamp, black	WC853GG2	each	£24.00
2	Twin headlamp, black	WC853GG24	each	£24.00
	Rallye, black	WC853GG2R	each	NLA
3	Jetta, black, 3 slat	WC853GJ2	each	£17.00
	Jetta, black, Rallye style	WC853GJ2R	each	NLA

## UPGRADES & CUSTOM PARTS

## GRILLE SPOILERS



1	Single headlamp, Golf, Jetta, Rallye, unpainted	WC853EG2	each	£17.00
2	Twin headlamp, unpainted	WC853EG24	each	£22.00









## DECALS



1	<b>Waistline decal</b> , GTI models, cut to suit 3 or 5 door, 7 piece set, black vinyl	191-898-500/01C	each	<b>£16.99</b>
	<b>B post decal</b> , 3/5 door GTI models, black vinyl	167-898-300	set	<b>£19.00</b>
1	<b>Sill decal</b> , 3 door GTI models, black vinyl,	191-835-385	each	<b>£30.00</b>
	<b>Sill decal</b> , 5 door GTI models, black vinyl,	193-835-385	each	<b>CALL</b>
2	<b>Tailgate decal</b> , GTI models	191-853-042/6BX	each	<b>£30.00</b>

## WHEEL ARCH TRIMS - 7/87



1	<b>Front left</b> , 3 or 5 door models	191-853-717	each	<b>£84.70</b>
	<b>Front right</b> , 3 or 5 door models	191-853-718	each	<b>£89.20</b>
	<b>Rear left</b> , 3 or 5 door models	191-853-817	each	<b>£89.20</b>
2	<b>Rear right</b> , 3 or 5 door models	191-853-818	each	<b>£89.20</b>

## WHEEL ARCH TRIMS, G60 8/89



G60 arch trims can be fitted as a replacement to '90 spec' trims to gain extra width to cover wider wheels.

1	<b>Front left</b> , 3 or 5 door models	191-853-717/D	each	<b>£89.20</b>
	<b>Front right</b> , 3 or 5 door models	191-853-718/D	each	<b>£89.20</b>
2	<b>Rear left</b> , 3 or 5 door models	191-853-817/D	each	<b>£89.20</b>
	<b>Rear right</b> , 3 or 5 door models	191-853-818/D	each	<b>£89.20</b>
	<b>G60 arch kit</b> , set of 4	191-898-700	each	<b>£350.00</b>

## FITTINGS FOR ARCH TRIMS



1	<b>Rivet</b> , inside wheel arch	N90-634-901	each	<b>£0.60</b>
2	<b>Rivet</b> , bottom of wheel arch	N03-855-01	each	<b>£0.30</b>

## WHEEL ARCH TRIMS 8/87- 7/89, NON GTI 7/87-92



1	<b>Front left</b> , 3 or 5 door models	191-853-717/AR	each	<b>£10.70</b>
	<b>Front left</b> , 3 or 5 door models, genuine	191-853-717/A	each	<b>£85.00</b>
	<b>Front right</b> , 3 or 5 door models	191-853-718/AR	each	<b>£9.70</b>
	<b>Front right</b> , 3 or 5 door models, genuine	191-853-718/A	each	<b>£85.00</b>
2	<b>Rear left</b> , 3 or 5 door models	191-853-817/AR	each	<b>£11.10</b>
	<b>Rear left</b> , 3 or 5 door models, genuine	191-853-817/B	each	<b>£85.00</b>
	<b>Rear right</b> , 3 or 5 door models	191-853-818/AR	each	<b>£13.60</b>
	<b>Rear right</b> , 3 or 5 door models, genuine	191-853-818/B	each	<b>£102.00</b>

## WHEEL ARCH TRIMS, GTI, '90 SPEC' 8/89-



	<b>Front left</b> , 3 or 5 door models	191-853-717/C	each	<b>£73.50</b>
1	<b>Front right</b> , 3 or 5 door models	191-853-718/C	each	<b>£73.50</b>
2	<b>Rear left</b> , 3 or 5 door models	191-853-817/C	each	<b>£73.50</b>
	<b>Rear right</b> , 3 or 5 door models	191-853-818/C	each	<b>£73.50</b>

## STONE GUARDS FOR REAR ARCH



1	<b>Left</b> , - 7/87	191-853-931/A	each	<b>£15.00</b>
2	<b>Right</b> , - 7/87	191-853-932/A	each	<b>£15.00</b>
	<b>Left</b> , 8/87-	191-853-931/B	each	<b>£19.00</b>
3	<b>Right</b> , 8/87-	191-853-932/B	each	<b>£19.00</b>
4	<b>Clip</b> , for above trims, 4 req	191-853-615/A	each	<b>£0.90</b>
	<b>Rivet</b> , for above	N03-855-01	each	<b>£0.30</b>

## SIDE TRIM AND ROOF MOULDINGS



Sadly we cannot source the side trims at present, below are the fittings required for refitting your old items.

1	<b>Trim clip</b> , thick trim 8/87-	701-853-585	each	<b>£0.60</b>
2	<b>Bung</b> , for above	357-853-586/D	each	<b>£0.80</b>
3	<b>Trim clip</b> , thin '90 spec' trim	191-853-585/A	each	<b>£0.60</b>
	<b>Bung</b> , for above	1H0-853-856	each	<b>£0.80</b>
	<b>Clip</b> , for roof moulding	191-853-733/A	each	<b>£0.85</b>

SILL TRIM FOR '90 SPEC' AND G60 ARCHES



	<b>Sill trim, left</b>	191-853-851	each	<b>NCA</b>
1	<b>Sill trim, right</b>	191-853-852	each	<b>£59.95</b>
2	<b>Fixing clip, self adhesive, 5 per side</b>	191-853-913	each	<b>£7.20</b>
3	<b>Retaining strip, attaches to body to accept clip above</b>	191-853-941	each	<b>£38.50</b>
	<b>Screw, for sill trim to arch trim</b>	N10-309-101	each	<b>£0.65</b>
	<b>Jacking point cover, for sill trim</b>	191-853-917	each	<b>NCA</b>

MIRRORS



	<b>Door mirror, left, -7/87, manual operation, RHD</b>	192-857-501	each	<b>£72.90</b>
1	<b>Door mirror, left, -7/87, remote operation, RHD</b>	192-857-501/A	each	<b>£72.90</b>
	<b>Door mirror, left, -7/87, electric and heated, RHD</b>	192-857-501/C	each	<b>NLA</b>
	<b>Door mirror, right, -7/87, remote operation, RHD</b>	192-857-502/E	each	<b>£72.90</b>
	<b>Door mirror, right, -7/87, electric and heated, RHD</b>	192-857-502/A	each	<b>£141.20</b>
	<b>Screw, for above</b>	N03-302-31	each	<b>£1.20</b>
	<b>Mirror, to door base seal &gt;7/87</b>	191-857-543	each	<b>£0.95</b>
2	<b>Door mirror, left, 8/87-, remote operation, RHD</b>	192-857-507/A	each	<b>£21.60</b>
	<b>Door mirror, right, 8/87-, remote operation, RHD</b>	192-857-508/A	each	<b>£30.10</b>
	<b>Screw, for above, 3 req</b>	N01-413-35	each	<b>£0.60</b>

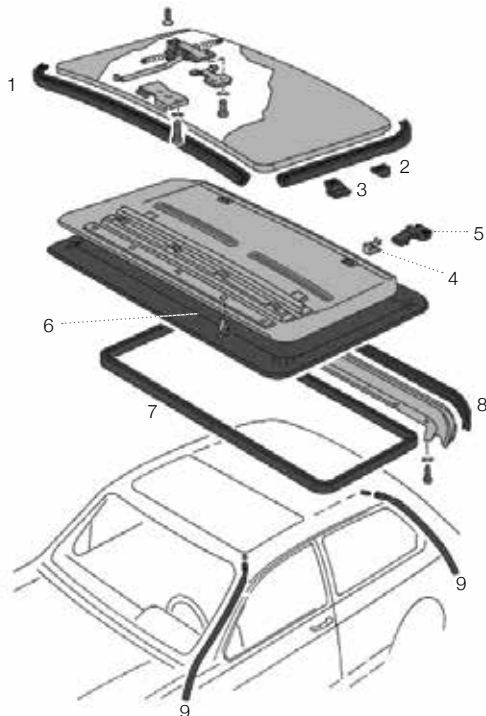
UPGRADES & CUSTOM PARTS

CUSTOM AND RETRO MIRRORS



1	<b>3" peep mirror, stainless head with chrome arm</b>	AC857400	each	<b>£31.20</b>
	<b>4" peep mirror, stainless head with chrome arm</b>	AC857401	each	<b>£31.20</b>
2	<b>Fitting bracket for above</b>	AC857400A	each	<b>£5.00</b>
3	<b>Chevy style mirror, 4" stainless head, drilling required to fit</b>	AC857402	each	<b>£35.50</b>
	<b>Bullet mirror, drilling required to fit, repro</b>	AC857845	each	<b>£24.70</b>
	<b>Bullet mirror, drilling required to fit, best quality</b>	AC857MTR01	each	<b>£35.80</b>
4	<b>4" Swan Neck, drilling required to fit, left</b>	AC857403	each	<b>£49.30</b>
	<b>4" Swan Neck, drilling required to fit, right</b>	AC857404	each	<b>£49.30</b>
	<b>Vitaloni California, black, unpainted, drilling required to fit, left</b>	AC8574607	each	<b>£39.80</b>
	<b>Vitaloni California, black, unpainted, drilling required to fit, right</b>	AC8574606	each	<b>£39.80</b>

SUNROOF



1	<b>Sunroof Seal</b>	321-877-209/A	each	<b>£79.50</b>
2	<b>Sliding Bush</b>	411-877-145	each	<b>£0.76</b>
3	<b>Guide Piece</b>	191-877-145	each	<b>£4.20</b>
4	<b>Clip</b>	313-877-277	each	<b>£0.34</b>
5	<b>Guide Piece</b>	171-877-278	each	<b>£2.95</b>
6	<b>Clip</b>	191-877-281	each	<b>£3.00</b>
7	<b>Beading, for sunroof frame</b>	191-877-227/A/8AX	each	<b>£20.66</b>
8	<b>Gasket, for water drain plate</b>	191-877-253	each	<b>CALL</b>
9	<b>Drain Hose</b>	331-877-203/B	each	<b>£7.69</b>
		shorten to front - 1000mm rear left - 1446mm rear right - 1460mm		
10	<b>Sunroof cable and guide</b>	171-898-015	each	<b>£0.00</b>





# INTERIOR

Need seat covers? Sadly at present we cannot offer OEM style seat covers. Please call to discuss custom requirements or fabric availability.

Can't tilt your seats forward to let your passengers in the back? The cable has probably snapped. Don't panic - we sell them.



Headliners - due to the size of this part and how fragile they are, we are unable to offer replacements at present.

Suffering from wet carpets? Check your door membranes, heater inlet on scuttle panel or sunroof drain tubes, all could be causing the problem.

## CARPET SETS



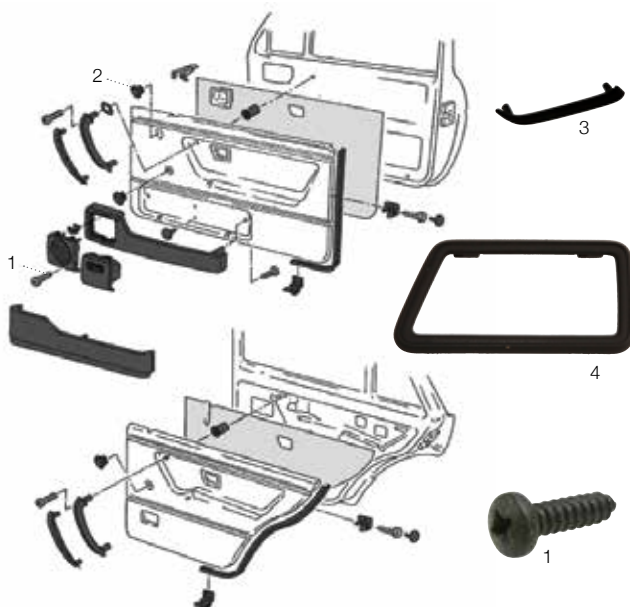
<b>LHD</b> , all models exc G60/Rallye/Syncro, black	191-863-101/BLK	each	<b>£169.00</b>
<b>LHD</b> , all models exc G60/Rallye/Syncro, specify colour from chart	191-863-101	each	<b>£169.00</b>
<b>RHD</b> , all models exc G60/Rallye/Syncro, black	192-863-101/BLK	each	<b>£160.50</b>
<b>RHD</b> , all models exc G60/Rallye/Syncro, specify colour from chart	192-863-101	each	<b>£169.00</b>
<b>Sound Deadening Kit</b> , all models	191-863-919	each	<b>£100.80</b>
<b>Rear Load Floor Mat</b> , boot to footwell, black only	191-860-483	each	<b>£55.90</b>
<b>Rear Arch &amp; Boot</b> , moulded carpet set, black	191-867-430/BLK	each	<b>£64.50</b>
<b>Rear Arch &amp; Boot</b> moulded carpet set, specify colour from chart	191-867-430	each	<b>£64.50</b>

## PARCEL SHELF AND LUGGAGE AREA



<b>1 Parcel shelf kit</b> , includes side shelf covers, Black	191-867-769	each	<b>£120.70</b>
<b>Shelf retaining strap</b> , black	191-863-447	each	<b>£1.75</b>
<b>Bushing for parcel shelf pivot</b> , rubber	N90-129-301	each	<b>£1.95</b>
<b>Nut</b> for securing side shelf to inner wing	N03-860-11	each	<b>£0.25</b>
<b>Clip</b> for securing carpet to inner arch	191-867-199/9B9	each	<b>£0.55</b>
<b>Clip</b> for securing hard panel to inner arch and tailgate	801-867-299/01C	each	<b>£1.20</b>

## DOOR PANEL FITTINGS



Sadly we cannot source these door panels new, however here is a range of components and fittings you may require for them.

<b>Clip</b> , door panel to front door, top	191-867-300/B	each	<b>£0.45</b>
<b>Clip</b> , rear panel under side window, 3 door	331-867-299	each	<b>NLA</b>
<b>Clip</b> , rear panel to B pillar, 3 door	191-867-387	each	<b>£0.45</b>
<b>Screw</b> , for above	N90-157-501	each	<b>CALL</b>
<b>Clip</b> , side of door, for panel securing screws	321-867-299/B	each	<b>£1.45</b>
<b>Screw</b> , for above	N90-157-501	each	<b>CALL</b>
<b>Cap</b> , for screw	NLA	each	<b>NLA</b>
<b>Speaker Grille</b> , front door pocket, allow fitment of 13cm speaker	191-867-149/LN8	each	<b>£31.50</b>
<b>1 Screw</b> , for above and door pocket to panel,	N01-396-49	each	<b>£0.40</b>
<b>2 Mirror Control Knob</b> , black	191-857-520/A/01C	each	<b>£4.95</b>
<b>Rubber Boot For Mirror Control</b> , black	191-857-517/01C	each	<b>£4.95</b>
<b>Grab Handle</b> , black, front or rear, left	191-867-179/01C	each	<b>£11.90</b>
<b>Grab Handle</b> , black, front or rear, right	191-867-180/01C	each	<b>£11.90</b>
<b>Screw</b> , for above	N01-414-112	each	<b>£2.50</b>
<b>3 Cover For Handle</b> , black, front or rear, left	191-867-197/01C	each	<b>£7.70</b>
<b>Cover</b> , for handle	191-867-187/01C	each	<b>CALL</b>
<b>Guide</b> , for door lock pull knob	191-867-109	each	<b>CALL</b>
<b>Door Lock Pull Knob</b> , black	191-837-187	each	<b>£2.50</b>
<b>4 Door Pull Surround</b> , black, left	321-837-247/01C	each	<b>£5.40</b>
<b>Door Pull Surround</b> , black, right	321-837-248/01C	each	<b>£4.80</b>
<b>Blanking Plug</b> , for winder handle	321-867-164	each	<b>£1.80</b>
<b>Blanking Plug</b> , for mirror adjuster	321-867-163/01C	each	<b>£0.80</b>

FRONT SEAT BASE



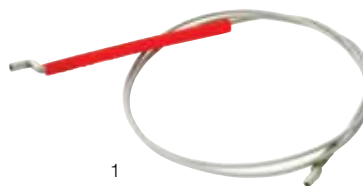
1	<b>Front Guide Bush</b> , all models	435-881-203/A	each	<b>£6.60</b>
	<b>Bolt For Fastening Seat At Front</b> , allen head.	N01-475-06	each	<b>£0.60</b>
	<b>Domed Head Nut</b> , for above	N01-112-14	each	<b>£0.70</b>
	<b>Washer</b> , for above	N01-200-64	each	<b>£0.50</b>
	<b>Clinch Bolt For Seat</b> , front	171-881-229/B	each	<b>£9.90</b>
	<b>Rear Guide Bush</b> , all models, inner	191-881-213	each	<b>£3.76</b>
2	<b>Rear Guide Bush</b> , all models, outer	171-881-213/B	each	<b>£4.30</b>
	<b>Bush For Backrest Lock</b> , plastic -7/89 inc GTI not Recaro	171-881-299/C/01C	each	<b>£2.95</b>
	<b>Bush For Backrest Lock</b> , plastic 8/89-inc GTI not Recaro	357-881-299	each	<b>£6.95</b>
	<b>Bush For Backrest Lock</b> , plastic, Recaro seat, all years	191-881-299	each	<b>£12.95</b>
	<b>Screw For Above</b> , all models	N01-414-05	each	<b>£0.90</b>
3	<b>Washer</b> , for above	N01-166-615	each	<b>£0.30</b>

FRONT SEAT BACKREST



	<b>Trim For Hinge</b> , -7/90, no hole, black, left	191-881-477/LX6	each	<b>£15.95</b>
	<b>Trim For Hinge</b> , -7/90, with hole, black, left	191-881-479	each	<b>£7.95</b>
	<b>Trim For Hinge</b> , -7/90, no hole, black, right	191-881-478/LX6	each	<b>£15.95</b>
	<b>Trim For Hinge</b> , -7/90, with hole, black, right	191-881-479	each	<b>£7.95</b>
	<b>Trim For Hinge</b> , 8/90-, no hole, black, left	191-881-479/B	each	<b>£7.95</b>
	<b>Trim For Hinge</b> , 8/90-, with hole, black, left	165-881-477	each	<b>£7.95</b>
	<b>Trim For Hinge</b> , 8/90-, no hole, black, right	191-881-480/B	each	<b>£7.95</b>
	<b>Trim For Hinge</b> , 8/90-, with hole, black, right	165-881-478	each	<b>£7.95</b>
	<b>Grip Pin</b> , for above, black	171-881-500/01C	each	<b>£0.80</b>
1	<b>Reclining Winder Knob</b> , -7/89 and Recaro all years, black	191-881-671	each	<b>£7.95</b>
2	<b>Reclining Winder Knob</b> , 8/89-, black	357-881-671	each	<b>£6.00</b>
	<b>Screw</b> , for above	N01-020-85	each	<b>£0.40</b>
3	<b>Headrest Retaining Clip</b> , 2 per seat	443-881-743	each	<b>£2.80</b>

SEAT TILT CABLES



1	<b>Seat Cable</b> , -7/90, outer	191-881-596/A	each	<b>£5.95</b>
	<b>Seat Cable</b> , -7/90, inner	191-881-595	each	<b>£11.50</b>
	<b>Seat Cable</b> , 8/90-, outer	165-881-596/A	each	<b>£27.50</b>
	<b>Seat Cable</b> , 8/90-, inner	165-881-595/A	each	<b>£16.50</b>
	<b>Seat Cable</b> , Recaro seat, outer/ inner	191-881-595/A	each	<b>£15.95</b>

SEAT LIFTER HANDLE



	<b>Non Sport Seat</b> , left or right	191-881-633/01C	each	<b>£5.95</b>
	<b>Sports Seat</b> , GTI model, left	191-881-633/A	each	<b>£12.95</b>
	<b>Sports Seat</b> , GTI model, right	191-881-634	each	<b>£5.94</b>
	<b>Recaro Seat</b> , left or right	191-881-633/B	each	<b>NCA</b>
1	<b>Spring Clip</b> , for all of above	311-881-247	each	<b>£0.40</b>
	<b>Surround For Lifter Handle</b> , -7/89, left / right	191-881-607/01C	each	<b>£8.95</b>
	<b>Surround For Lifter Handle</b> , 8/89- left/ right	165-881-607/01C	each	<b>£8.95</b>
	<b>Screw</b> , for 8/89-	N01-396-55	each	<b>£0.60</b>
	<b>Surround</b> , for Recaro seat lifter handle	191-881-607/A	each	<b>£2.95</b>

REAR SEAT FITTINGS



1	<b>Screw</b> , base hinge to body	N01-414-112	each	<b>£2.50</b>
2	<b>Washer</b> , for above	N01-210-53	each	<b>£0.80</b>
	<b>Cover</b> , for above	191-885-779	each	<b>NCA</b>
	<b>Screw</b> , base to backrest pivot	N90-215-101	each	<b>£0.45</b>



**UPGRADES & CUSTOM PARTS**

**MOMO STEERING WHEELS**



1	<b>Momo Team</b> , 280mm, black leather with black aluminium centre	WC400MO280TEA	each	<b>£182.70</b>
	<b>Momo Team</b> , 300mm, black leather with black aluminium centre	WC400MO300TEA	each	<b>£182.70</b>
2	<b>Momo Jet</b> , 320mm, black leather with carbon inserts	WC400MO320JET	each	<b>£203.70</b>
	<b>Momo Jet</b> , 350mm, black leather with carbon inserts	WC400MO350JET	each	<b>£203.70</b>
3	<b>Momo Tuner</b> , 320mm, black with red stitching, black centre	WC400MO320TUNB	each	<b>£203.70</b>
	<b>Momo Tuner</b> , 350mm, black with red stitching, black centre	WC400MO350TUNB	each	<b>£175.30</b>
	<b>Momo Tuner</b> , 320mm, black with red stitching, anthracite centre	WC400MO320TUNC	each	<b>£190.00</b>
	<b>Momo Tuner</b> , 350mm, black with red stitching, anthracite centre	WC400MO350TUNC	each	<b>£175.30</b>
4	<b>Momo Millennium 320mm</b> , black leather with chrome detailing	WC400MO320MIL	each	<b>£248.80</b>
	<b>Momo Millennium 350mm</b> , black leather with chrome detailing	WC400MO350MIL	each	<b>£222.60</b>

**UPGRADES & CUSTOM PARTS**

**BOSS KIT FOR MOMO WHEELS**



These will fit other brands of wheel too, ask if unsure.

	<b>Small Spline Models</b> , typically -7/87, 16mm spline	WC400MOSSB	each	<b>£61.30</b>
1	<b>Large Spline Models</b> , typically 8/87-, 26mm spline	WC400MOLSB	each	<b>£59.10</b>

**UPGRADES & CUSTOM PARTS**

**GRANT STEERING WHEELS - DEEP DISH**



1	<b>10" Chain Link</b> , chrome chain links and spokes	AC400GT741	each	<b>£123.90</b>
2	<b>10" Deep Dish</b> , black rubber rim with polished spokes	AC400GT833	each	<b>£53.70</b>
3	<b>11.5" Deep Dish</b> , black rubber rim with polished spokes	AC400GT834	each	<b>£59.10</b>
	<b>12.5" Deep Dish</b> , black rubber rim with polished spokes	AC400GT836	each	<b>£51.50</b>
4	<b>13.5" Deep Dish</b> , black rubber rim with polished spokes	AC400GT838	each	<b>£63.40</b>

**UPGRADES & CUSTOM PARTS**

**GRANT STEERING WHEELS - WOODRIM**



1	<b>13.5" Classic</b> , chrome spokes with holes	AC400GT213	each	<b>£150.10</b>
	<b>13.5" Classic</b> , black spokes with holes	AC400GT313	each	<b>£101.80</b>
2	<b>13.5" Nostalgia</b> , brushed spokes with holes	AC400GT963-0	each	<b>£176.40</b>

**UPGRADES & CUSTOM PARTS**

**BOSS KIT FOR GRANT WHEELS**



These are specific and use a 3 hole boss unlike other wheels on the market.

1	<b>Small Spline Models</b> , typically -7/87, 16mm spline	AC400GT3568	each	<b>£28.10</b>
	<b>Large Spline Models</b> , use the above boss kit. But you will have to remove the adapter sleeve from your steering column, which can be tricky.			<b>Call for advice if required.</b>



**UPGRADES & CUSTOM PARTS**

**GEAR KNOBS**



1	<b>Chrome Ball</b> , universal	AC711400	each	<b>£19.94</b>
2	<b>Chrome Skull</b> , universal	AC711401	each	<b>£17.90</b>
3	<b>Chrome Piston</b> , universal	AC711402	each	<b>£11.20</b>
4	<b>8 Ball, Plastic</b> , universal	AC711403	each	<b>£15.95</b>
5	<b>Dice, Black, Plastic</b> , universal	AC711404	each	<b>£13.96</b>
	<b>Dice, Blue, Plastic</b> , universal	AC711404B	each	<b>£13.96</b>
	<b>Dice, Red, Plastic</b> , universal	AC711404R	each	<b>£13.96</b>

**UPGRADES & CUSTOM PARTS**

**WINDOW WINDERS**



1	<b>Billet, Polished</b> , pair, universal fit	AC8378510	each	<b>£32.20</b>
2	<b>Billet, Semi Polished</b> , pair, universal fit	AC8378510B	each	<b>£41.90</b>
3	<b>Wolfsburg Edition</b> , pair	AC837615	each	<b>£18.40</b>
4	<b>Black &amp; Chrome</b> , pair	AC837610	each	<b>£7.50</b>
5	<b>Rosewood &amp; Chrome</b> , pair	AC837611	each	<b>£9.50</b>

**UPGRADES & CUSTOM PARTS**

**DOOR LOCK PINS**



	<b>OE Style Aluminium</b> , pair	AC8374540	each	<b>£15.00</b>
1	<b>Billet, thick style</b>	AC837720	each	<b>£9.95</b>
	<b>Billet, thin style</b>	WC837720	each	<b>£12.50</b>
2	<b>Wolfsburg Edition</b> , pair	AC837725	each	<b>£15.00</b>
	<b>Black &amp; Chrome</b>	AC837722	each	<b>£6.10</b>
3	<b>Rosewood &amp; Chrome</b>	AC837711	each	<b>£6.10</b>

**UPGRADES & CUSTOM PARTS**

**MOMO GEAR KNOBS**



1	<b>Air leather aluminium</b> , universal	WC711MOALA	each	<b>£62.30</b>
2	<b>Air leather</b> , universal	WC711MOAL	each	<b>£73.50</b>
3	<b>Ali sport</b> , universal	WC711MOAS	each	<b>£45.10</b>





# ELECTRICAL

As we classify all our parts by VW part numbers, you will find windscreen wipers and blades in this section.



Where is your hazard warning light switch? This will help us identify the correct electrical components for you.

Unsure if the part we sell is the same as yours? Why not email us a photo so we can double check for you. [sales@vwheritage.com](mailto:sales@vwheritage.com)

Car alarms - sorry we don't deal with these or sell parts for them. Speak to your local car audio shop - they should be able to help.



**Hella Headlamp, RHD**  
192-941-753/HELLA  
£47.30 each

**Fusebox 8/89 Genuine VW**  
357-937-039  
£275.00 each

**Number Plate Light**  
191-943-021  
£5.50 each

**Washer Jet**  
191-955-985/A  
£4.40 each

**Steering Lock**  
357-905-851/D  
£25.00 each

## ALTERNATORS

## W CONNECTOR TYPE (BOLT AND PLUG FITTING)



### Plug Fitting Type

1	55amp, 1.6/1.8/GTI 8/83-10/91 (Inc £10 sur)	049-903-017/BX	each	<b>£103.96</b>
2	65amp, 1.6/1.8 8/83-7/85 (Inc £20 sur)	049-903-017/CX	each	<b>£120.00</b>
	65amp, 1050/1300 & Diesel 8/83-7/85 (Inc £15 sur)	036-903-017/EX	each	<b>£160.96</b>

	<b>45amp, Diesel/Turbo Diesel 8/85-7/92</b>	068-903-017/RX	each	<b>£146.95</b>
	(Inc £20 surcharge)			
	<b>65amp, 1050/1300/Diesel 8/83-7/92</b>	068-903-017/TX	each	<b>£97.40</b>
1	<b>65amp, 1.6/1.8 8/85-10/91 (Inc £20 surcharge)</b>	068-903-017/NX	each	<b>£141.95</b>



### Bolt Terminal Type

	55amp, 1100/1300 8/85-7/92 (Inc £30 surcharge)	036-903-017/HX	each	<b>£148.96</b>
1	55amp, 1.6/1.8/GTI 8/85-10/91 (Inc £20 surcharge)	026-903-017/X	each	<b>£151.96</b>
2	65amp, 1.6/1.8/GTI 8/85-10/91 (Inc £10 surcharge)	026-903-017/AX	each	<b>£139.96</b>
	65amp, 1050/1300/Diesel 8/85-7/92	036-903-017/KX	each	<b>£102.00</b>
	65amp, GTI 16v 2/86-10/91 (Inc £40 surcharge)	027-903-017/AX	each	<b>£190.96</b>
	90 Amp, 1.6/1.8/GTI 8/85-10/91 (Inc £40 surcharge)	035-903-017/A	each	<b>£288.95</b>
	90amp GTI 16v 2/86-10/91 (Inc £40 surcharge)	034-903-017/X	each	<b>£170.95</b>

## ALTERNATOR BELTS



	<b>1050/1300cc, 8/83 -7/91, 9.5 X 695mm</b>	052-903-137/A/F	each	<b>£4.20</b>
	<b>1300cc, 8/91-10/91 11x 710mm</b>	030-903-137/E	each	<b>£4.20</b>
	<b>1600cc/1800cc Non PAS, 10x950mm (exc Diesel, 16v, G60)</b>	026-903-137/C	each	<b>£4.20</b>
1	<b>1600cc/1800cc With PAS, 11.2x 866mm (exc 16v)</b>	054-903-137	each	<b>£4.20</b>
2	<b>1600/1800cc With Air Con, 9.5x630mm</b>	027-903-137	each	<b>£4.20</b>
	<b>Diesel/Turbo Diesel Non PAS, 11.2x965mm</b>	068-903-137/D	each	<b>£5.50</b>
	<b>Diesel/Turbo Diesel with PAS, 11.2x 866mm</b>	054-903-137	each	<b>£4.20</b>
	<b>1800cc 16v /G60, Non PAS, 950x10mm ribbed belt</b>	050-903-137	each	<b>£12.90</b>

## DRIVE BELTS FOR PAS AND AIR CON.

Note: PAS = Power Assisted Steering



1	<b>PAS Belt</b> , 1600/1800cc all petrol models 9,5x730mm (inc 16v /G60)	026-145-271	each	<b>£2.80</b>
	<b>PAS Belt</b> , Diesel/Turbo Diesel, 8/83-7/90, 9,5 x740mm	068-145-271/B	each	<b>£4.40</b>
2	<b>PAS Belt</b> , Diesel/Turbo Diesel, 8/83-7/90, 11.9 x650mm	068-145-271/E	each	<b>£2.80</b>
	<b>Air Con. Belt</b> , All models exc. G60, 12,5 x947mm	068-260-849/G	each	<b>£6.95</b>

## STARTER MOTORS



1	<b>1050/1300cc</b> , 8/83-10/91 (Inc £15 surcharge)	036-911-023/G	each	<b>£155.00</b>
	<b>1600cc</b> , 8/83-10/91, Manual	055-911-023/K	each	<b>£79.95</b>
	<b>1600/1800cc 8/83-10/91</b> , Automatic	055-911-023/A	each	<b>£126.95</b>
2	<b>1800cc</b> , 11/83-10/91 Manual, exc G60&Diesel, (Inc £30 surcharge)	055-911-023/M	each	<b>£125.00</b>
	<b>Diesel/Turbo Diesel</b> , 8/83- 11/91, Manual	068-911-023/L	each	<b>£196.96</b>
	<b>Diesel/Turbo Diesel</b> , 8/83- 11/91, Automatic	068-911-023/F	each	<b>NCA</b>

## DISTRIBUTOR



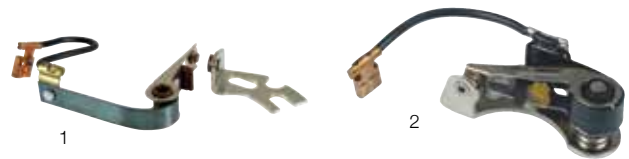
1	<b>Cap 1050/1300cc</b> , 8/83-7/84	113-905-207/C	each	<b>£6.00</b>
	<b>Cap 1050-1800cc Carb</b> , Ducellier, 8/84-	026-905-207/A	each	<b>£11.00</b>
	<b>Cap 1050-1800cc Carb</b> , Bosch, 8/84-	027-905-207	each	<b>£6.50</b>
2	<b>Cap with shroud</b> , 1800cc Gti 8v/G60>7/90, 16v	027-905-207/A	each	<b>£5.95</b>
	<b>Cap</b> , 1800cc Gti 8v/G60 8/91-7/92	030-905-207	each	<b>£6.00</b>
	<b>Distributor seal</b> , 1050/1300cc, 8/83-7/85	068-145-119	each	<b>£0.30</b>
3	<b>Distributor seal</b> , 1050/1300cc, 8/85-10/91	030-905-261	each	<b>£0.70</b>
	<b>Distributor seal</b> , 1600/1800cc, 8v 8/83-7/86	056-905-261	each	<b>£0.70</b>
4	<b>Distributor seal</b> , 1600/1800cc 8v, 8/86-10/91	026-905-261	each	<b>£0.80</b>
	<b>Distributor seal</b> , 1800cc 16v only	027-905-261	each	<b>£2.20</b>
	<b>Screw</b> , 1050/1300cc Distributor to head	N01-021-612	each	<b>£1.10</b>
	<b>Washer for above</b>	N01-222-65	each	<b>£0.50</b>
	<b>Square washer for above</b>	N01-540-41	each	<b>£0.35</b>
	<b>Distributor clamp</b> , 1600/1800cc all years	028-905-256	each	<b>£5.95</b>
	<b>Screw for above</b>	N01-024-222	each	<b>£0.80</b>
	<b>Washer for above</b>	N01-224-110	each	<b>£0.40</b>
5	<b>Vacuum hose</b> , 3mm, per metre	N02-035-35	each	<b>£3.90</b>

## ROTOR ARM



1	<b>1050/1300cc Bosch</b> , all years	052-905-225	each	<b>£5.00</b>
	<b>1600/1800cc</b> , carb, Ducellier, 8/86-10/91	026-905-225/K	each	<b>£6.10</b>
2	<b>1600/1800cc</b> , carb, Bosch, 8/83-10/91	055-905-225/B	each	<b>£6.10</b>
	<b>1800cc GTI 8v</b> , 8/83-7/85	026-905-225	each	<b>£8.50</b>
	<b>1800cc 8v/16v GTI</b> , 8/85-7/87	055-905-225/B	each	<b>£6.10</b>
	<b>1800cc GTI 8v/16v/G60</b> , 8/87-10/91, 10mm shaft	052-905-225/C	each	<b>£5.00</b>

## POINTS AND CONDENSORS

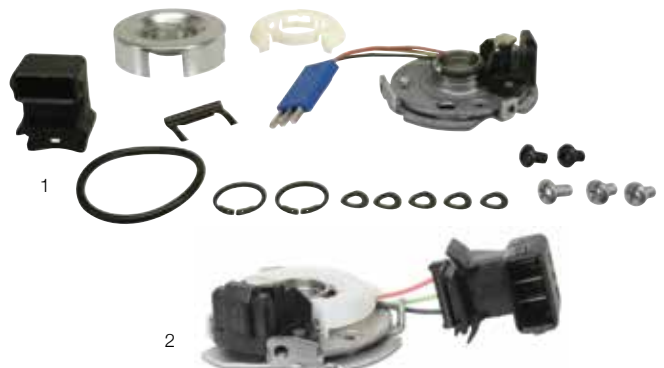


	<b>Points</b> , 1050/1300cc, Bosch	036-998-051/A	each	<b>£3.30</b>
1	<b>Points</b> , 1600/1800cc, Ducellier	036-998-051/B	each	<b>£8.30</b>
2	<b>Points</b> , 1600/1800cc, Bosch	059-998-051/B	each	<b>£4.96</b>
	<b>Condensor</b> , 1050/1300cc, 8/83-7/88, Bosch	052-905-295	each	<b>£4.50</b>
	<b>Condensor</b> , 1600/1800cc, 8/83-3/85, Bosch	060-905-295	each	<b>£6.60</b>

## STARTER MOTOR BUSHES

	<b>1050/1300cc</b> , 8/83-10/91	049-911-257/B	each	<b>£5.95</b>
	<b>1600cc &amp; Diesel Models</b> , 08/83-10/91, manual	113-301-155	each	<b>£1.60</b>
	<b>1600cc</b> , 07/83-10/91, automatic	028-911-257	each	<b>£4.95</b>
	<b>1800cc</b> , inc. GTI 8v/16v 8/83-10/91, manual	113-301-155	each	<b>£1.60</b>
	<b>1800cc</b> , 07/83-10/91, automatic	171-018-907	each	<b>£3.25</b>

## ELECTRONIC IGNITION



	<b>TCI Unit</b> , for models without points	191-905-351/B	each	<b>£49.00</b>
1	<b>Hall Sender</b> , 1050/1300cc, 8/83-7/91	030-998-065	each	<b>£52.70</b>
	<b>Hall Sender</b> , 1050/1300cc, 7/91-	030-998-065/B	each	<b>£179.95</b>
	<b>Hall Sender</b> , 1600/1800cc, Carb/8v GTI, Valeo distributor	026-905-065/A	each	<b>£175.00</b>
2	<b>Hall Sender</b> , 1600/1800cc, Carb/8v GTI, Bosch distributor	034-998-065	each	<b>£54.80</b>
	<b>Hall Sender</b> , 1800cc 16v only	052-998-065	each	<b>£145.00</b>



## COIL



	<b>Models With Points, 'socket fitting'</b> 8/83-7/84	171-905-115	each	<b>£28.00</b>
1	<b>Models With Points, 'pin fitting'</b> 8/84-	171-905-115	each	<b>£28.00</b>
2	<b>Models With TCI, 'socket fitting'</b> >8/84	211-905-115/B	each	<b>£71.40</b>
	<b>Models With TCI, 'pin fitting'</b> 8/84-10/91	211-905-115/D	each	<b>£26.00</b>
3	<b>Clamp, for coil</b>	111-905-115	each	<b>£5.00</b>

## SPARK PLUGS



1	<b>1050/1300cc, 8/83-10/91</b>	WR7DC+	each	<b>£3.30</b>
	<b>1600cc, all years</b>	W8DTC	each	<b>£2.20</b>
2	<b>1800cc, carb/GTI 8v all years</b>	WR7DTC	each	<b>£6.10</b>
	<b>1800cc, 16v, all years</b>	F6DTC	each	<b>£2.95</b>

**UPGRADES  
& CUSTOM PARTS**

## FLAMETHROWER COILS



These can be fitted to models -7/84, for later models a 'socket' to 'pin' type lead will need to be sourced.

	<b>Flamethrower 1, models with points, black</b>	AC90540511	each	<b>£38.50</b>
	<b>Flamethrower 1, models with points, chrome</b>	AC90540501	each	<b>£34.60</b>
1	<b>Flamethrower 2, models with TCI fitted, black</b>	AC90545011	each	<b>£44.40</b>
2	<b>Flamethrower 2, models with TCI fitted, chrome</b>	AC90545001	each	<b>£40.00</b>

## DIESEL IGNITION



1	<b>Glow Plug, all models</b>	068-905-061	each	<b>£7.00</b>
---	------------------------------	-------------	------	--------------

## STOCK IGNITION LEADS



	<b>1050/1300cc, 8/83-7/84</b>	905-QHT-001	each	<b>NCA</b>
1	<b>1050/1300cc, 8/84-10/91</b>	905-QHT-002	each	<b>£26.00</b>
2	<b>1600/1800cc, carb/GTI 8v 8/83-7/84</b>	905-QHT-005	each	<b>£26.00</b>



3	<b>1600/1800cc, carb/GTI 8v 8/84-10/91</b>	905-QHT-006	each	<b>£26.00</b>
	<b>1600/1800cc, carb/GTI 8v, 8/84-, Bosch</b>	905-QHT-006/ BOSCH	each	<b>£49.95</b>
4	<b>1800cc 16v, all years</b>	905-QHT-006/V	each	<b>£33.60</b>

**UPGRADES  
& CUSTOM PARTS**
**8MM HT LEADS**


1	1600/1800cc 8v, Carb/GTI, Black	WC998804208	each	£64.50
2	1600/1800cc 8v, Carb/GTI, Red	WC998804408	each	£27.90
3	1600/1800cc 8v, Carb/GTI, Blue	WC998804308	each	£64.50
4	1600/1800cc 8v, Carb/GTI, Yellow	WC998804508	each	£64.50
5	1800cc 16v, Black	WC998804216	each	£103.90
	1800cc 16v, Red	WC998804416	each	£103.90
	1800cc 16v, Blue	WC998804316	each	£103.90
	1800cc 16v, Yellow	WC998804516	each	£103.90

**FUSES**


1	Fusebox, 8/83-7/89 all models	171-941-821/D	each	£90.00
	Fusebox, 8/89-10/91	357-937-039	each	£275.00
2	Fuse, 10 amp, red, blade type	N01-713-111	each	£0.24
3	Fuse, 15 amp, blue, blade type	N01-713-112	each	£0.24
	Fuse, 20 amp, yellow, blade type	N01-713-7	each	£0.24
	Fuse, 30 amp, green, blade type	N01-713-15	each	£0.24

**RELAYS**


1	Fuel Pump, 1800cc carb 8/83 -7/88	321-906-059/H	each	£27.90
	Fuel Pump, GTI 8v 3/87- 16v all years	191-906-383/C	each	£11.00
2	Inlet Manifold Heating Element, carb	171-906-383	each	£7.70
	Inlet Manifold Heating Element, PN/RP only	191-906-383/C	each	£11.00
3	Coolant Level Light	191-919-376/A	each	£30.10
	Glow Plug	443-911-261	each	£16.96
	Air Conditioning	171-959-141/A	each	£14.95
	Radiator Fan Control Unit	191-955-532/A	each	£61.90
	Windscreen Wash/Wipe, front	321-955-531/A	each	£5.94
4	Rear Screen Wash/Wipe	191-955-529	each	£14.00
	Indicator/Hazard warning	111-953-227/D	each	£5.50
5	Horn/Fog lamp	141-951-253/B	each	£6.95





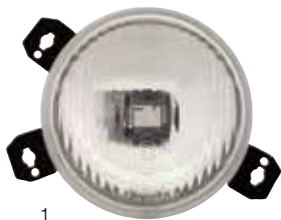
## HEADLAMPS



Use RHD lamps for UK Driving

1	<b>Golf</b> , all years, LHD, reproduction	191-941-753/A	each	<b>£19.30</b>
2	<b>Golf</b> , all years, LHD, Hella	191-941-753/H	each	<b>£33.30</b>
	<b>Golf</b> , all years, RHD, reproduction	192-941-753/A	each	<b>£16.92</b>
	<b>Golf</b> , all years, RHD, Hella	192-941-753/H	each	<b>£47.30</b>
	<b>Cap</b> , back of headlamp	111-941-605/A	each	<b>£14.95</b>
3	<b>Headlamp Beam Adjuster</b>	191-941-297	each	<b>£4.60</b>
	<b>Screw</b> , headlamp to body	N01-388-73	each	<b>£0.95</b>
4	<b>Sidelight Bulb Holder</b>	191-941-669/A	each	<b>£7.50</b>

## INNER SPOT LAMPS



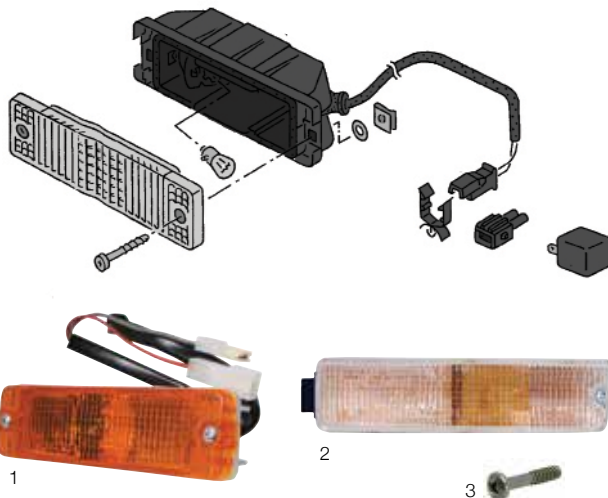
	<b>Golf</b> , 8/83-7/87, LHD or RHD, left	191-941-783	each	<b>£55.28</b>
	<b>Golf</b> , 8/83-7/87, LHD or RHD, right	191-941-784	each	<b>£55.28</b>
	<b>Golf</b> , 8/87-10/91, LHD or RHD, left	191-941-783/B	each	<b>£35.00</b>
	<b>Golf</b> , 8/87-10/91, LHD or RHD, right	191-941-784/B	each	<b>£35.00</b>
	<b>Fitting Kit For Spot Lamp</b> , 2 req	191-998-135	each	<b>NCA</b>

## FOG LAMPS, BIG BUMPER ONLY



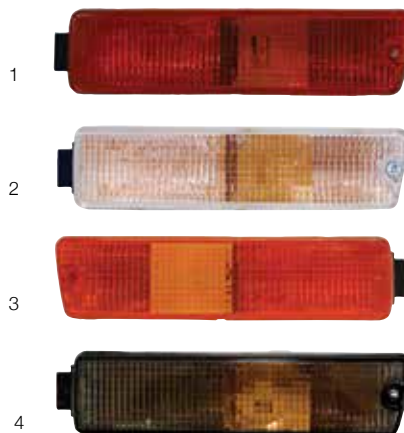
1	<b>Fog Lamp</b> , complete, left	191-941-699/D	each	<b>£26.00</b>
	<b>Fog Lamp</b> , complete, right	191-941-700/D	each	<b>£26.00</b>
2	<b>Bracket For Lamp</b> , left	191-941-705	each	<b>£15.00</b>
	<b>Bracket For Lamp</b> , right	191-941-706	each	<b>£15.00</b>
	<b>Bolt</b> , for above	191-807-191/A	each	<b>£1.25</b>
	<b>Washer</b> , for above	N01-167-016	each	<b>£2.80</b>
	<b>Nut</b> , for above	N01-100-830	each	<b>£0.50</b>

## FRONT INDICATOR, SMALL BUMPER MODELS



1	<b>Indicator unit</b> , complete, left or right, amber	171-953-055	each	<b>£10.00</b>
2	<b>Indicator unit</b> , complete, left or right, clear	171-953-055/C	each	<b>£10.00</b>
	<b>Indicator unit</b> , complete, left or right, smoked	171-953-055/SMK	each	<b>£10.80</b>
	<b>Lens</b> , amber	171-953-141/C	each	<b>£5.95</b>
	<b>Lens</b> , clear	171-953-141/CL	each	<b>£5.95</b>
	<b>Lens</b> , smoked	171-953-141/SM	each	<b>£5.95</b>
3	<b>Screw for above</b>	321-953-169/A	each	<b>£1.70</b>
	<b>Washer for above</b>	N01-154-02	each	<b>£0.30</b>
	<b>Speednut for above</b>	N01-544-87	each	<b>£0.85</b>

## FRONT INDICATOR, BIG BUMPER MODELS



1	<b>Indicator Unit</b> , complete, left, amber	191-953-155/AC	each	<b>£12.00</b>
	<b>Indicator Unit</b> , complete, left, clear	191-953-155/CC	each	<b>£12.00</b>
	<b>Indicator Unit</b> , complete, left, smoked	191-953-155/SC	each	<b>£12.00</b>
	<b>Indicator Unit</b> , complete, right, amber	191-953-156/AC	each	<b>£12.00</b>
	<b>Indicator Unit</b> , complete, right, clear	191-953-156/CC	each	<b>£12.00</b>
	<b>Indicator Unit</b> , complete, right, smoked	191-953-156/SC	each	<b>£12.00</b>
	<b>Lens</b> , left, amber	191-953-155/A	each	<b>£11.00</b>
2	<b>Lens</b> , left, clear	191-953-155/C	each	<b>£9.20</b>
3	<b>Lens</b> , left, smoked	191-953-155/S	each	<b>£7.80</b>
4	<b>Lens</b> , right, amber	191-953-156/A	each	<b>£12.10</b>
	<b>Lens</b> , right, clear	191-953-156/C	each	<b>£7.50</b>
	<b>Lens</b> , right, smoked	191-953-156/S	each	<b>£7.80</b>
	<b>Screw</b> , for above	331-945-185	each	<b>NLA</b>
	<b>Speednut</b> , for above	N01-554-81	each	<b>CALL</b>
	<b>Wiring Loom</b> , front indicator	535-953-123	each	<b>£10.50</b>

SIDE INDICATORS 8/84-



	<b>Side Repeater, amber</b>	161-949-117	each	<b>£3.00</b>
1	<b>Side Repeater, crystal clear</b>	WC949SR01C	pair	<b>£12.00</b>
	<b>Side Repeater, smoked</b>	WC949SR01S	pair	<b>£12.00</b>
	<b>Bulb, holder for above</b>	161-949-111	each	<b>£3.95</b>
	<b>Grommet For Wiring, to bulb holder</b>	447-953-331/A	each	<b>£5.95</b>

**UPGRADES & CUSTOM PARTS** HEADLAMPS



All suitable for RHD use in UK

	<b>Crystal Clear</b>	WC941NS4013	pair	<b>£40.00</b>
1	<b>Smoked Crystal</b>	WC941NS4013S	pair	<b>£92.40</b>
2	<b>Crystal Clear Crosshair</b>	WC941NS4033	pair	<b>£44.10</b>
	<b>Smoked Crystal Crosshair</b>	WC941NS4033S	pair	<b>£103.90</b>
	<b>Iron Cross Crystal Clear</b>	WC941NS4031C	pair	<b>£92.40</b>
	<b>Iron Cross Crystal Crosshair</b>	WC941NS4033IC	pair	<b>£92.40</b>

**UPGRADES & CUSTOM PARTS** INNER SPOT LAMPS



Suitable for LHD or RHD models 7/87-10/91

1	<b>Crystal Clear</b>	WC941SL780C	pair	<b>£46.00</b>
	<b>Smoked Crystal</b>	WC941SL780SC	pair	<b>£59.10</b>
	<b>Crystal Clear Crosshair</b>	WC941SL780CH	pair	<b>£38.00</b>
	<b>Smoked Crystal Crosshair</b>	WC941SL780SCC	pair	<b>NCA</b>

**UPGRADES & CUSTOM PARTS** FRONT INDICATORS, SMALL BUMPER MODELS



1	<b>Crystal Clear, with parking light</b>	WC953FISBCC	pair	<b>£11.70</b>
	<b>Smoked Crystal, with parking light</b>	WC953FISBSC	pair	<b>£15.00</b>
2	<b>LED, Crystal Clear</b>	WC953FISBCLED	pair	<b>£30.00</b>
3	<b>LED, Smoked Crystal</b>	WC953FISBSLED	pair	<b>£32.00</b>

**UPGRADES & CUSTOM PARTS** FRONT INDICATORS, BIG BUMPER MODELS



1	<b>LED, Crystal Clear</b>	WC953FIBBCLED	pair	<b>£39.80</b>
	<b>LED, Smoked Crystal</b>	WC953FIBBSLED	pair	<b>£39.80</b>

**UPGRADES & CUSTOM PARTS** FOG LAMPS, BIG BUMPER MODELS



1	<b>Crystal Clear</b>	WC941FL780C	pair	<b>£58.00</b>
	<b>Smoked Crystal</b>	WC941FL780S	pair	<b>£80.80</b>



BULBS



1	Headlamp, clear	N01-776-32	each	£4.40
2	Headlamp, cobalt blue	N01-776-32/C	each	£11.00
3	Side Light	N01-771-72	each	£1.00
3	Centre Spotlamp	N01-776-22	each	£5.50
	Front Foglight	N01-776-22	each	£5.50
	Indicator, clear	941-VAG-265	each	£1.00
4	Indicator, amber	941-VAG-265/AMB	each	£1.66
	Side Indicator, clear	941-VAG-501	each	£1.10
	Side Indicator, amber	941-VAG-501/AMB	each	£1.10
5	Tail Lamp	N01-771-85	each	£1.10
	Brake Light	941-VAG-265	each	£1.00
	Reverse Light	941-VAG-265	each	£1.00
	Rear Fog Light	941-VAG-265	each	£1.00
6	Number Plate	N01-771-72	each	£1.00
	Interior Lamp	941-VAG-245	each	£1.00
7	Dashboard Clocks, 1.2w, black base	431-919-040	each	£1.66
	Dashboard Clocks, 2w, white base	431-919-040/A	each	£1.95
8	Glovebox	N01-772-62	each	£2.80
9	Rear Luggage Compartment	N01-772-52	each	£3.30

REAR LIGHTING



1	Golf, Amber, White, Red, left	191-945-111/A	pair	£20.00
2	Golf, Amber, White, Red, right	191-945-112/A	pair	£20.00
3	Golf, Late GTI Spec, Half Smoked, left	191-945-111/B	pair	£29.00
	Golf, Late GTI Spec, Half Smoked, right	191-945-112/B	pair	£29.00
4	Seal, tail light to body	191-945-191	pair	£2.40

**HAVE YOU VISITED THE VWHERITAGE BLOG?**  
**KEEP UP TO DATE AND SIGN UP FOR EMAILS AT VWHERITAGE.COM**





**UPGRADES  
& CUSTOM PARTS**

**CUSTOM  
REAR LIGHTING**



1



2



3



4

**Golf**

1	<b>Crystal Clear</b>	WC945RLG01	pair	<b>£39.00</b>
	<b>Smoked Crystal Clear</b>	WC945RLG01S	pair	<b>£40.00</b>
2	<b>Crystal M3 Style</b>	WC945RLG02	pair	<b>£32.00</b>
3	<b>Crystal M3 Style, LED</b>	WC945RLG02LED	pair	<b>£115.50</b>
	<b>Crystal/Red Smoked, GTI Style</b>	WC945RLG02S	pair	<b>£32.00</b>
	<b>Crystal/Black, Smoked</b>	WC945RLG03	pair	<b>£92.40</b>

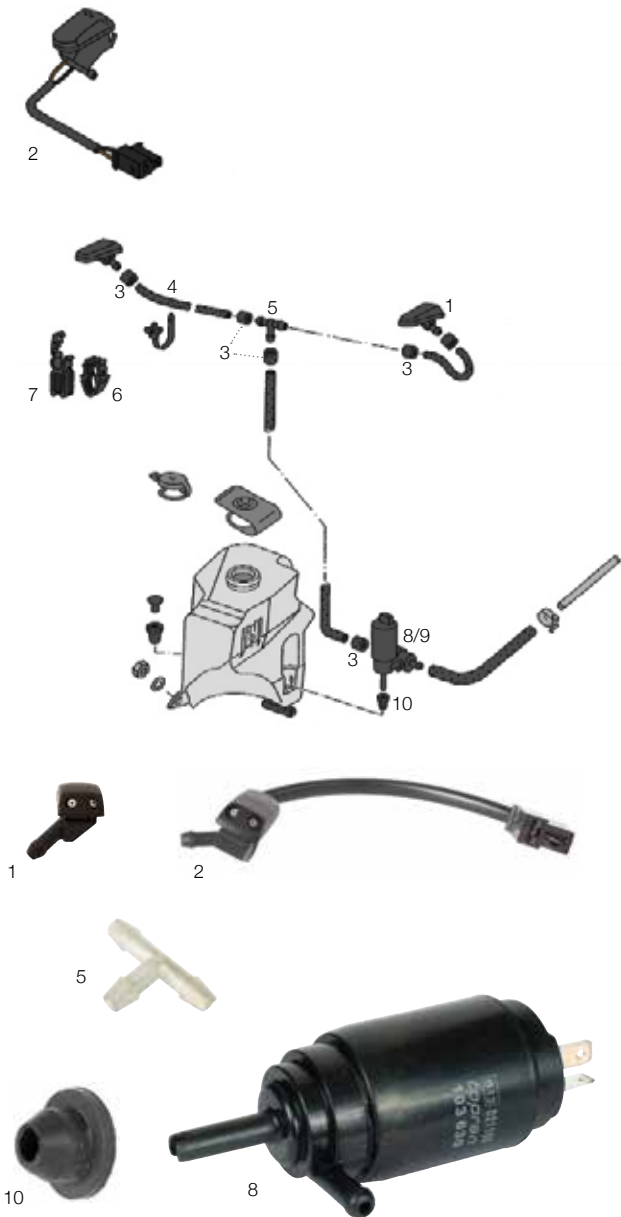
**Jetta**

4	<b>Crystal M3 Style</b>	WC945RLJ02	pair	<b>£53.00</b>
	<b>Crystal Smoked M3 Style</b>	WC945RLJ02S	pair	<b>£59.00</b>



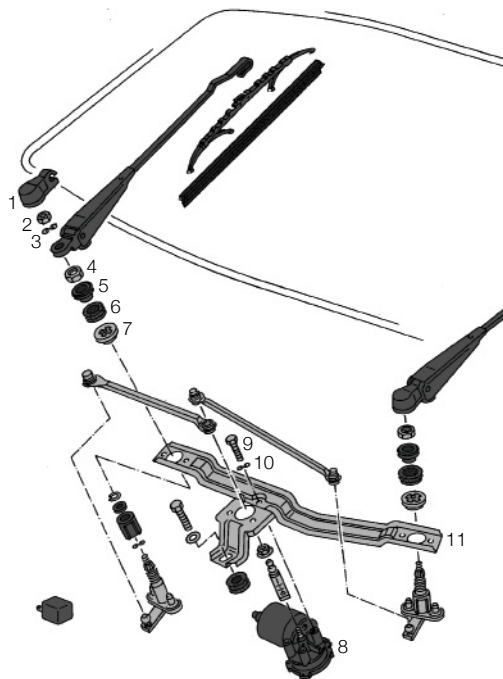


## WINDSCREEN WASHERS



1	<b>Washer Jet</b>	191-955-985/A	each	<b>£4.40</b>
2	<b>Washer Jet, heated</b>	191-955-986/A	each	<b>£30.00</b>
3	<b>Connecting Hose Piece</b>	443-955-665	each	<b>£2.80</b>
4	<b>Washer Hose</b>	N02-030-11	each	<b>£2.80</b>
5	<b>T Piece</b>	211-955-975	each	<b>£2.80</b>
6	<b>Clip, hose to under bonnet</b>	1H0-955-747	each	<b>£1.25</b>
7	<b>Clip, hose to under bonnet</b>	867-955-747/B	each	<b>£2.95</b>
8	<b>Washer Pump, 1 outlet, Jetta models</b>	431-955-651	each	<b>£8.95</b>
9	<b>Washer Pump, 2 outlets, Golf models</b>	1H6-955-651	each	<b>£8.50</b>
10	<b>Seal, pump to washer bottle</b>	443-955-465	each	<b>£2.80</b>
	<b>Washer Bottle</b>	535-955-453	each	<b>NLA</b>
	<b>Cap For Above</b>	1H0-955-455	each	<b>£5.95</b>
	<b>Washer Bottle, models with headlamp washers</b>	191-955-453/A	each	<b>£29.95</b>
	<b>Cap, for above</b>	357-955-455	each	<b>£5.95</b>
	<b>Nut, for fastening bottle to inner wing</b>	N01-100-624	each	<b>£0.20</b>
	<b>Washer, for above</b>	N01-166-615	each	<b>£0.30</b>

## WIPER ASSEMBLY 8/83-7/87



Please call to check availability of wiper arms, we will need your chassis number.

1	<b>Cap, for wiper arm</b>	867-955-435	each	<b>£2.80</b>
2	<b>Nut, under cap, 8/83-7/87</b>	N01-100-624	each	<b>£0.20</b>
3	<b>Washer, for above, 8/83-7/87</b>	N01-222-65	each	<b>£0.50</b>
4	<b>Wiper Spindle Nut, all models</b>	7D0-955-243	each	<b>£1.30</b>
5	<b>Spacer ring, outer, 8/83-7/87, left</b>	867-955-251	each	<b>£1.95</b>
6	<b>Grommet, 8/83-7/87, left or right</b>	N90-465-501	each	<b>£3.25</b>
7	<b>Washer, 8/83-7/87, left or right</b>	191-955-642	each	<b>£1.65</b>

## WIPER MOTOR AND LINKAGE

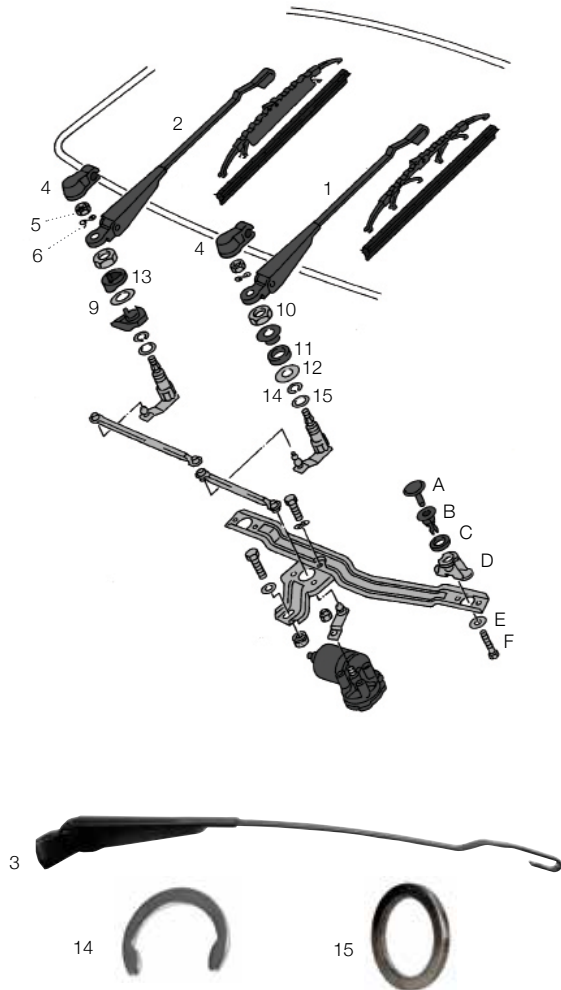


8	<b>All Models, RHD 8/83-7/92, LHD &gt;7/87</b>	251-955-119	each	<b>£211.00</b>
9	<b>Bolt To Frame</b>	N01-021-226	each	<b>£1.10</b>
10	<b>Washer For Above</b>	N01-222-65	each	<b>£0.50</b>
11	<b>Wiper Frame</b>	191-955-605	each	<b>NLA</b>
12	<b>Linkage Rod, left, 8/83-7/87</b>	191-955-325	each	<b>£25.95</b>
13	<b>Linkage Rod, right, 8/83-7/87</b>	191-955-326	each	<b>£25.95</b>
14	<b>Linkage Rod, left, 8/87-7/92</b>	191-955-326	each	<b>£25.95</b>
15	<b>Linkage Rod, right, 8/87-7/92</b>	192-955-326	each	<b>£25.95</b>

## WIPER SPINDLES

1	<b>Left, RHD 8/83-7/87, LHD All</b>	191-955-215	each	<b>NCA</b>
2	<b>Right, RHD 8/83-7/87, LHD All</b>	191-955-216	each	<b>£58.95</b>
3	<b>Left, RHD 8/87-7/92</b>	192-955-215	each	<b>NCA</b>
4	<b>Right, RHD 8/87-7/92</b>	192-955-216	each	<b>NCA</b>

## WIPER ASSEMBLY 8/87-7/92



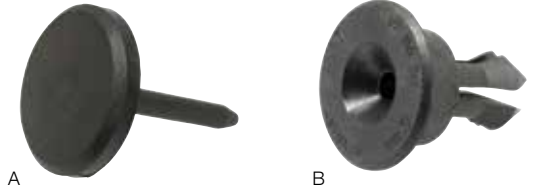
1	Wiper Arm, all models, 8/87-7/89, left	192-955-407/A	each	NLA
2	Wiper Arm, all models, 8/87-7/89, right	192-955-408/B	each	NLA
3	Wiper Arm, RHD models, 8/89-7/92, left	192-955-407/C	each	£25.00
	Wiper Arm, RHD models, 8/89-7/92, right	192-955-408/E	each	£25.00
4	Cap, for wiper arm	867-955-435	each	£2.80
5	Nut, under Cap, 8/83-7/89	N01-100-624	each	£0.20
6	Nut, under cap, 8/89-7/92	N01-115-13	each	£1.10
7	Washer, for above, 8/83-7/89	N01-222-65	each	£0.50
8	Washer, for above, 8/89-7/92	N01-155-811	each	£0.80
9	Wiper spindle nut, all models	7D0-955-243	each	£1.30
10	Spacer Ring, outer, 8/87-7/92, left	867-955-251	each	£1.95
11	Grommet, 8/87-7/92, left	N90-465-501	each	£3.25
12	Washer, 8/87-7/92, left	191-955-642	each	£1.65
13	Distance Piece, outer, 8/87-7/92, right	192-955-269	each	CALL
	Washer For Above, 8/83-7/92, right	192-955-245	each	£0.50
	Distance Piece, inner, 8/87-7/92, right	192-955-270	each	CALL
14	Spindle Securing Ring	481-955-237	each	NCA
15	Spindle Washer	171-955-345	each	£1.20

## WIPER BLADES



1	450mm (18")	191-998-003	pair	£9.30
---	-------------	-------------	------	-------

## WIPER HOLE BLANK



A	Blanking Plug For RHD, 8/87-7/92	192-955-632	each	£2.50
B	Blanking Grommet, for use with above	192-955-747	each	£2.80
C	Body Seal Grommet	N90-465-501	each	£3.25
D	Spacer Bush, for above	192-955-251	each	NCA
E	Washer, for above	867-955-251	each	£1.95
F	Bolt, to attach above to frame	N04-388-71	each	£0.50

## REAR WIPER AND WASHER SYSTEM



1	Rear Washer Jet	211-955-993	each	£4.90
	Rear Wiper Arm	191-955-706	each	£30.60
2	Cap For Above	867-955-435	each	£2.80
	Nut Under Cap	N01-100-624	each	£0.20
	Washer For Above	N01-222-65	each	£0.50
	Spindle Securing Nut	7D0-955-243	each	£1.30
3	Spacer Ring	191-955-733/A	each	£1.25
	Spindle To Body Seal, (2 required)	191-955-265	each	£1.00
	Wiper Spindle	191-955-709	each	NLA
	Bolt, spindle to body	N01-021-527	each	£0.80
	Washer, for above	N01-222-65	each	£0.50
	Linkage Rod	191-955-801	each	£7.95
	Rear Wiper Motor	701-955-713/C	each	£175.00
	Bolt, for above	N01-021-226	each	£1.10
	Washer, for above	N01-222-65	each	£0.50
	Rubber Boot, top of tailgate	191-971-840	each	£5.95

FIND US ON  
FACEBOOK:  
VWHERITAGE

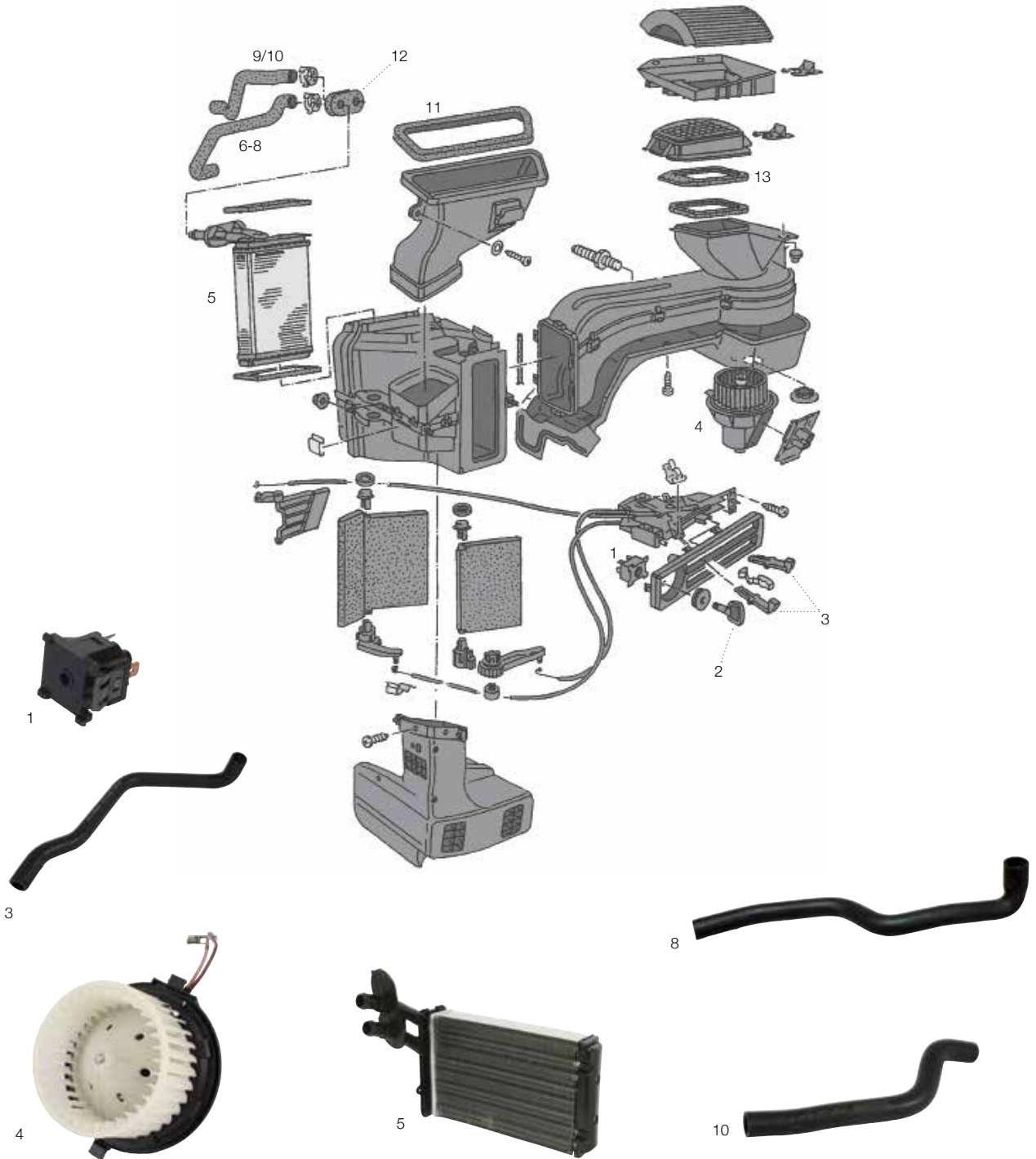


FOLLOW US  
ON TWITTER:  
@VWHERITAGE



RUN BY ENTHUSIASTS, FOR ENTHUSIASTS  
VWHERITAGE.COM

HEATING SYSTEM



1	<b>Heater Blower Switch</b>	171-959-511	each	<b>£7.96</b>
2	<b>Knob, for above</b>	191-959-513	each	<b>CALL</b>
3	<b>Slider, for heater controls</b>	191-819-129	each	<b>£2.75</b>
4	<b>Heater Blower Motor, RHD</b>	192-959-101	each	<b>£46.00</b>
5	<b>Heater Matrix, RHD</b>	1H2-819-031/A	each	<b>£26.00</b>
6	<b>Coolant Feed Hose, 1050/1300cc 86-92</b>	191-819-371/G	each	<b>£5.95</b>
7	<b>Coolant Feed Hose, 1600/1800cc inc 8v GTI</b>	191-819-371/E	each	<b>£5.50</b>

8	<b>Coolant Feed Hose, Diesel / GTI 16v models</b>	191-819-371/H	each	<b>£25.00</b>
9	<b>Return Hose, 1050/1300cc, 86-92</b>	191-819-373/C	each	<b>£9.95</b>
10	<b>Return Hose, 1600-1800cc inc. Diesel/16v</b>	191-819-373/D	each	<b>£9.00</b>
11	<b>Gasket</b>	191-819-070	each	<b>CALL</b>
12	<b>Bulkhead Gasket</b>	1H0-819-019	each	<b>CALL</b>
13	<b>Heater Grille To Body Gasket</b>	191-819-166	each	<b>CALL</b>

## ENGINE SWITCHES AND SENDERS



<b>Radiator fan switch</b>			
1	2 pin, 95-84c	191-959-481/B	each £9.40
2	3 pin, 95-84 / 102-91c	191-959-481/C	each £12.10
<b>Seal for above</b>			
		N04-380-83	each 0.00
3	<b>Sender hole block off kit</b>	357-198-140/S	each £7.20
4	<b>Retaining spring</b> for 20mm senders	032-121-142	each £1.70
5	<b>Seal</b> for above (20mm senders)	N90-316-802	each £1.70
<b>Oil pressure switch</b>			
	0.25 Bar. Blue / brown	028-919-081/D	each £3.95
	0.3 Bar. Grey	056-919-081/C	each £7.00
	1.8 Bar. White	056-919-081/E	each £4.00
<b>Seal for above</b>			
		N01-381-15	each £0.60
<b>Coolant level switch</b> (in expansion tank)			
		251-919-372	each £8.50
<b>Coolant temperature switch</b>			
	white	035-919-369/C	each £6.10
	black	035-919-369/D	each £9.90
	blue	251-919-501/D	each £10.50
<b>Oil temperature sender, 1 pin</b>			
		049-919-563/A	each £5.50

## REVERSE LIGHT SWITCHES



1	1050/1300cc, 8/83-7/92, 4 speed, 2 terminal	084-941-521	each £5.50
2	1600/1800cc, 8/85-7/88, 4 speed, 2 terminal	020-941-521/A	each £7.00
3	1600/1800cc, 8/83-7/92, 5 speed, 2 pin plug	020-945-415/A	each £8.30
4	G60 Models	02A-945-413/B	each £8.30

## IGNITION BARREL AND SWITCHES



1	<b>Ignition Barrel &amp; Key</b> , >7/87	191-905-855	each CALL
	<b>Ignition Barrel &amp; Key</b> , >8/87	1H0-905-855/A	each £9.60
2	<b>Ignition Switch</b> , >7/87	111-905-865/L	each £31.20
	<b>Ignition Switch</b> , >8/87	6N0-905-865	each £7.00
<b>Screw</b> , for above			
		N04-411-55	each £0.25
<b>Washer</b> , for above			
		N01-200-32	each £0.20

## INDICATOR SWITCHES



1	<b>All Models</b> , 8/83-7/87	191-953-519/A01C	each £72.40
2	<b>All Models</b> , 8/87-7/89	191-953-513/B	each £10.90
3	<b>All Models</b> , 8/89-7/92 includes Hazard light switch	357-953-513/F	each £18.00

## WINDSCREEN WIPER SWITCHES



MFA - Trip computer operated by button on end of stalk.

1	8/83-12/85, non MFA models	321-953-519	each £11.00
2	8/85-7/87, non MFA models	321-953-513/O1C	each £11.00
	8/87-7/89, non MFA models	191-953-519/O1C	each £12.90
	8/87-7/89, for MFA equipped models	191-953-519/A01C	each £72.40
<b>8/89-7/92, non MFA models</b>			
		357-953-519	each £12.90
3	8/89-7/92, for MFA equipped models	535-953-519/A	each £23.00

## INTERIOR SWITCHES



<b>Headlight</b> , all models, 8/83-10/88			
		191-941-531/H	each £7.00
1	<b>Headlight</b> , all models, 10/88-7/92	191-941-531/K	each £10.90
2	<b>Foglight</b> , all models, 8/83-7/92	191-941-535/B	each £8.00
3	<b>Hazard Lights</b> , all models >7/89 (later model on indicator stalks)	191-953-235	each £16.96
4	<b>Heated Rear Window</b> , all models, 8/83-7/92	191-959-621/B	each £7.70
5	<b>Electric Window Switch</b> , 8/83-7/92	191-959-855	each £5.40

## INTERIOR LIGHT



1	<b>Interior Light</b> , non sunroof models	191-947-111/B	each £31.20
	<b>Interior Light</b> , factory sunroof models, 86-92	191-947-111/C	each £20.95
<b>Courtesy Light Switch</b> , boot			
		191-947-561	each £3.30
<b>Courtesy Light Switch</b> , door			
		7D0-947-563/A	each £7.20
<b>Seal</b> , for above			
		113-947-565/A	each £1.96
<b>Screw</b> , for above			
		N90-094-901	each £0.65





## SPEEDO CABLES



### Left Hand Drive

1050-1300cc, manual, 1060mm	191-957-803/H	each	<b>£8.95</b>
1600-1800cc, manual, 1100mm long	191-957-803/D	each	<b>£13.95</b>
Automatic models, without ABS, 900mm	191-957-803/B	each	<b>£34.95</b>

### Right Hand Drive

1050-1300cc, manual, 1200mm	192-957-803	each	<b>£24.10</b>
1600-1800cc, manual, 1720mm	192-957-803/B	each	<b>£30.10</b>
Automatic models, 1600mm	192-957-803/C	each	<b>£41.90</b>

## SPEEDO DRIVE GEAR AND FITTINGS

<b>Drive Gear</b> , 1050-1300, manual	084-409-197	each	<b>£0.95</b>
<b>Guide</b> , for above	014-409-193/B	each	<b>£9.95</b>
<b>Seal</b> , for above	001-301-131	each	<b>£1.50</b>
<b>Drive Gear</b> , 1600-1800cc, 16 tooth (natural)	171-957-821/A	each	<b>£7.20</b>
<b>Drive Gear</b> , 1600-1800cc, 15 tooth (red)	171-957-821/B	each	<b>£7.20</b>
<b>Securing Ring</b> , for above	N90-015-401	each	<b>£0.30</b>
<b>Gasket</b> , for above	171-957-861/B	each	<b>£1.50</b>
<b>Screw</b> , for above	N09-017-33	each	<b>£1.75</b>

## DASHBOARD

<b>Handbrake Warning Light</b>	191-919-235	each	<b>£15.00</b>
<b>Cigarette Lighter</b>	191-998-250/A	each	<b>NCA</b>

## HORN



1



2

<b>1 Horn</b>	191-951-114/B	each	<b>£11.00</b>
<b>Terminal Boots</b>	111-951-195	each	<b>£7.70</b>
<b>2 Relay For Horn</b>	141-951-253/B	each	<b>£6.95</b>

**UPGRADES & CUSTOM PARTS**

## NOVELTY HORNS



1



2

We suggest mounting these face down to avoid water damage.

<b>1 Klaxon</b> , makes "Arroooogal" Sound	AC951015	each	<b>£29.95</b>
<b>2 Bull Horn</b> , sounds like a Cow!	AC951014	each	<b>£56.10</b>



UPGRADES & CUSTOM PARTS

VDO



1



2



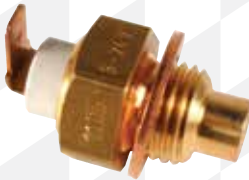
3



4



5



6



7



8

1	<b>Tachometer</b> , 7000rpm, 80mm, black	V333051	each	<b>£85.50</b>
2	<b>Tachometer</b> , 7000rpm, 80mm, white	V333251	each	<b>£115.50</b>
3	<b>Voltmeter</b> , 8-16v, 52mm, black	V332041	each	<b>£38.50</b>
4	<b>Voltmeter</b> , 8-16v, 52mm, white	V332241	each	<b>£47.30</b>
5	<b>Ammeter</b> , 60amp, 52mm, black	V190031	each	<b>£37.60</b>
6	<b>Oil Temperature Sender</b> , sump plug, M14x1.5	V310012A	each	<b>£54.80</b>
7	<b>Oil Pressure Gauge</b> , 150psi, 52mm, black	V350041	each	<b>£39.80</b>
	<b>Oil Pressure Sender</b> , 150psi, twin terminal	V360023	each	<b>£44.10</b>
	<b>T piece</b> , to keep original oil pressure switch fitted.	V240850	each	<b>£12.10</b>
	<b>Water Temperature Gauge</b> , 100-250F	V310039	each	<b>£44.95</b>
	<b>Sender</b> , for water temp gauge, M10x1, C or F	V323088	each	<b>£34.95</b>
	<b>Fuel Gauge</b> , 52mm, black, use VDO universal sender	V301015	each	<b>£36.50</b>
	<b>Fuel Gauge</b> , 52mm, white, use VDO universal sender	V301216	each	<b>£44.10</b>
8	<b>Fuel Tank Sender</b> , universal	V226001	each	<b>£45.40</b>
	<b>Boost Gauge</b> , 15psi, 52mm, black	V1500512	each	<b>£96.60</b>
	<b>Boost Gauge</b> , 30psi, 52mm, black	V1500522	each	<b>£89.20</b>
	<b>Mounting Cup</b> , 52mm	V240100	each	<b>£57.60</b>
	<b>Gauge Panel</b> , replaces ashtray on centre console	V999000	each	<b>£32.20</b>
	<b>Gauge Panel</b> , DIN size, replaces radio	V999001	each	<b>£29.00</b>

UPGRADES & CUSTOM PARTS

AUTOMETER



1



2



3



4



5



6



7



8

Come complete with sender, metric adaptors will be required to fit as fittings are imperial for US market.

1	<b>Tachometer</b> , 8000rpm, 3 3/8"	AUTOMETER3780	each	<b>£148.30</b>
2	<b>Tachometer</b> , 10000rpm, 5" with shift light	AUTOMETER3904	each	<b>£246.70</b>
3	<b>Voltmeter</b> , 2 5/8"	AM3592	each	<b>£64.50</b>
4	<b>Ammeter</b> , 2 5/8"	AM3586	each	<b>£72.40</b>
5	<b>Oil Temperature</b> , 60-170 degrees, 2 5/8"	AM3543-M	each	<b>£82.90</b>
6	<b>Metric Adaptor</b> , fits sump -1/8" NPT-M14x1.5	AM2267	each	<b>£10.50</b>
	<b>Coolant Temperature</b> , 2 5/8"	AM3431-M	each	<b>£82.90</b>
	<b>Oil Pressure</b> , 150psi, 2 5/8"	AM3423	each	<b>£87.10</b>
7	<b>Fuel Gauge</b> , 2 5/8"	AM3515	each	<b>£59.10</b>
	<b>Quartz Clock</b> , 2 5/8"	AM3585	each	<b>£82.90</b>
8	<b>Boost Gauge</b> , 30psi, 2 5/8"	AM3403	each	<b>£101.80</b>
	<b>Mounting Cup</b> , 2 5/8"	AM3204	each	<b>£18.30</b>





# BOOKS, TOOLS AND CONSUMABLES

Stuck for a present? VW enthusiasts can never get enough books about Volkswagens!

Bought the parts to do the job - have you got the relevant consumables in stock to make life easy?



Save yourself paying for a mechanic, buy a manual for less than an hour's labour and do the job yourself!

Don't blame your tools! Get the right tool for the job and save yourself a lot of swearing and shouting.

## BOOKS



Not all of these are specific to the second generation Golf, but might still be of interest to you. If you are unsure please ask.

1	Brooklands Books	000-100-1016	each	<b>£10.95</b>	
2	VW Golf GTI, The Essential Buyer's Guide,	000-100-1018	each	<b>£19.95</b>	
3	The VW Scirocco 1974-81 - R.M. Clarke	000-100-1020	each	<b>£11.95</b>	
4	Road & track On Volkswagen 1968-78 - Brooklands Books	000-100-1021	each	<b>£11.95</b>	
5	Thirty years of the Volkswagen Golf & Rabbit	000-100-1022	each	<b>£19.95</b>	
6	Volkswagen Golf GTI - James Richardson	000-100-1023	each	<b>£19.95</b>	
7	VW Golf GTI, Limited Edition Extra 1976-91	000-100-1024	each	<b>£13.95</b>	
8	Haynes Manual, Mk1 Golf, Jetta, Petrol Models '74-84	000-100-1011	each	<b>£19.95</b>	
	Haynes Manual, Mk1 Golf, Jetta, Scirocco, Petrol Models '74-84	000-100-1010	each	<b>£22.95</b>	
9	Haynes Manual Mk2 Scirocco Petrol 1.5 1.6 1.8 '82-90	000-100-1012	each	<b>£21.95</b>	
10	Golf GTI Performance Manual - By Tim Stiles	000-100-1014	each	<b>£19.95</b>	
11	VW Golf & Jetta Restoration Manual - By Lindsay Porter	000-100-1015	each	<b>£19.95</b>	
12	Haynes, Automotive Welding Manual	000-100-064	each	<b>£16.95</b>	
13	Haynes, ICE (In Car Entertainment) Manual	000-100-045	each	<b>£19.95</b>	
14	Bentley Manual, Rabbit, Scirocco 1980-1984	000-100-1030	each	<b>£49.95</b>	
15	Bentley Manual, VW Rabbit, Jetta Diesel 1977-1984	000-100-1029	each	<b>£39.95</b>	
16	Bentley Manual, Cabriolet & Scirocco 1985-1993	000-100-1027	each	<b>£41.95</b>	
17	Bentley Manual, VW GTI, Golf & Jetta: 1985-1992	000-100-1028	each	<b>£44.95</b>	

TOOLS



1	<b>Feeler Gauges</b> , 32 piece, metric and imperial	LT-2481	each	<b>£9.90</b>	12	<b>Ball Joint Separator</b> , scissor type	LT-0282	each	<b>£27.95</b>
2	<b>Valve Grinding Sticks</b> , set of two	LT-3524	each	<b>£10.50</b>		<b>Ball Joint Separator</b> , fork type	LT-0283	each	<b>£9.95</b>
3	<b>Eezilap</b> , valve lapping attachment for drill	LT-4095	each	<b>£49.40</b>	13	<b>CV Joint Splined Socket</b> , 3/8" drive	AC000135	each	<b>£8.95</b>
4	<b>Oil Filter Removal Tool</b>	LT-3317	each	<b>£9.49</b>	14	<b>Grease Gun</b> , 4 Jaw, 120cc capacity	LT-0240	each	<b>£17.20</b>
5	<b>Flexi Funnel</b>	LT-1011	each	<b>£5.50</b>		<b>Grease Gun Adaptor Hose</b> , for above	LT-0891	each	<b>£9.40</b>
6	<b>Adjustable Timing Strobe</b> , with read out	LT-4123	each	<b>£208.90</b>	15	<b>Eezibleed</b> , brake bleeding tool	LT-4062	each	<b>£24.70</b>
7	<b>Airflow Meter</b> , for balancing twin carbs	AC000124	each	<b>£35.80</b>	16	<b>Brake Spring Removal Tool</b> , for drum brakes	LT-2704	each	<b>£10.50</b>
8	<b>Exhaust Gas Tester</b> , measure your C.O level	LT4125	each	<b>£156.50</b>	17	<b>Wheel Brace</b> , telescopic, 17/19mm	LT-0591	each	<b>£16.10</b>
9	<b>Clutch Alignment Tool</b> , 1050/1300cc	AC000143	each	<b>£3.50</b>	18	<b>Alloy Wheel Brush</b>	LT-3517	each	<b>£6.10</b>
10	<b>Clutch Alignment Tool</b> , 1600/1800cc exc 16v	WC0005378	each	<b>£4.40</b>	19	<b>Track-Right Gauge</b> ,	LT-3008	each	<b>£96.60</b>
	<b>Clutch Alignment Tool</b> , GTI 16v only	WC0005403	each	<b>£4.40</b>	20	<b>Tin Snips</b> , for straight or right hand cuts, 10"	LT-1458	each	<b>£20.40</b>
11	<b>Oil Suction Gun</b>	LT-3094	each	<b>£16.10</b>	21	<b>Trim Removal Tool</b> , 10 in 1	LT-2373	each	<b>£14.00</b>
	<b>McPherson Slotted Nut Tool</b>	WC0002941	each	<b>£10.50</b>		<b>Magnetic Parts Tray</b> , 60mm diameter	LT-2908	each	<b>£9.90</b>
	<b>Coil Spring Compressors</b>	AC000127	each	<b>£22.60</b>		<b>Magnetic Parts Tray</b> , Genuine VW	80.902.233	each	<b>£9.50</b>

CONSUMABLES

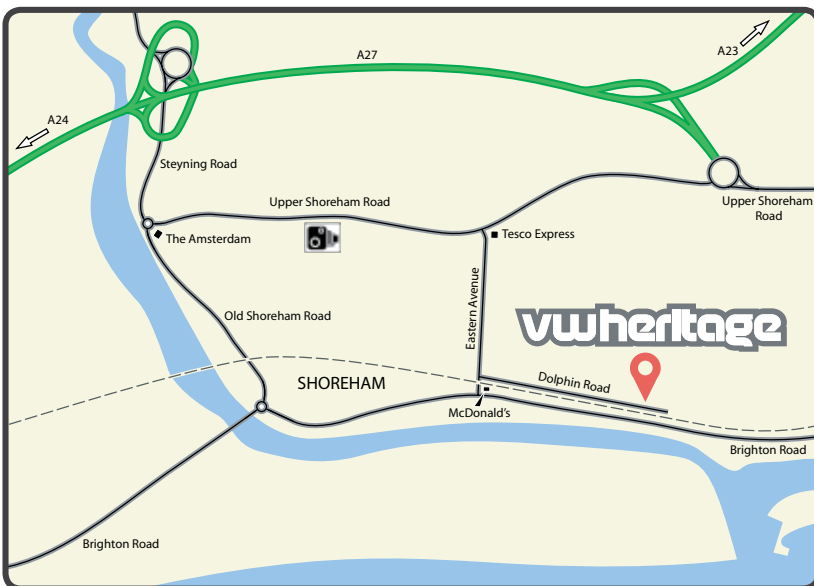


1	<b>Screenwash</b> , VW, lemon scented, concentrated, 1 Litre	G-052-164-M2	each	<b>£5.00</b>	8	<b>Brake Fluid</b> , DOT 4, 250ml	ML-010	each	<b>£5.00</b>
2	<b>Antifreeze Coolant</b> , VW G12+, 1.5 litres	G-012-A8G-M1	each	<b>£9.90</b>		<b>Brake Fluid</b> , DOT 4, 1 litre	ML-008	each	<b>£12.70</b>
	<b>Gasgacinch</b> , gasket sealer	AC0005124	each	<b>£11.00</b>		<b>Brake Fluid</b> , DOT 4S, 500ml, for fast road and track use	WC698FLUID	each	<b>£11.00</b>
3	<b>Oil, Servol</b> , 15W40, semi-synthetic, 5 litres	ML-005	each	<b>£21.80</b>	9	<b>Carburettor &amp; Intake Cleaner</b> , 400ml	ML-011	each	<b>£7.20</b>
4	<b>Oil, Quantum</b> , Synta 10W40, semi-synthetic 5 litres	ZGB-115-QLB/S	each	<b>£20.95</b>	10	<b>MD4 Penetrating Spray</b> , 400ml	ML-012	each	<b>£4.90</b>
5	<b>Gearbox Oil</b> , Lodexol 80W90, 1 litre	ML-007	each	<b>£8.30</b>	11	<b>Pavan, Degreaser</b> , 400ml, not for plastics	ML-013	each	<b>£6.60</b>
6	<b>Gearbox Oil</b> , Lodexol 80W90, 5 litres	ML-006	each	<b>£25.30</b>	12	<b>Solvent Cleaner</b> , 400ml, for brakes etc	ML-014	each	<b>£7.20</b>
7	<b>Gearbox Oil</b> , Quantum Hypoid 80-90w, 1 litre	ZGB-115-QLB/GEAR	each	<b>£8.50</b>	13	<b>Prima, Silicon spray</b> , 400ml	ML-015	each	<b>£6.60</b>
					14	<b>Ankor Wax</b> , Rust Preservative fluid, 5ltr	ML-016	each	<b>£40.80</b>





- Accelerator cables
- Accelerator pedal
- Airfilters
- Alloy wheels
- Alternator belts
- Alternators
- Anti roll bar, front
- Anti roll bars, performance
- Antifreeze
- Arch liners, front and rear
- Automatic choke
- Autometer
- Badges, front and rear
- Ball joint
- Blower motor
- Bonnet
- Bonnet bra
- Bonnet cable
- Books
- Boot strut
- Brake backing plates, front
- Brake caliper, rear
- Brake calipers, front
- Brake discs, front
- Brake discs, rear
- Brake drums
- Brake fluid
- Brake fluid reservoir
- Brake hoses, front and rear
- Brake master cylinder
- Brake pads, front
- Brake pipe kits
- Brake pressure regulator
- Brake servo
- Brake shoes
- Bulbs
- Bumpers
- Cable, handbrake
- Cam belt covers
- Cam belt kits
- Cam belt tensioners
- Cam chain
- Cam followers
- Carb cleaner
- Carburettor flanges
- Carpet sets
- Chassis, repair sections
- Clutch cables
- Clutch kits
- Clutch master cylinder
- Clutch release bearing
- Clutch slave cylinder
- Coil
- Coil spring, front
- Coil spring, rear
- Coilover suspension
- Condensor
- Coolant flanges
- Coolant hoses
- Core plug
- Crankshaft oil seal
- Custom door mirrors
- CV boot
- CV joint
- Decals
- Diesel vacuum pump
- Dipstick
- Distributor
- Door handles
- Door hinges
- Door locks
- Door mirrors
- Door panel, fittings
- Door seals
- Door window seals, front and rear
- Doors, repair panels
- Drive belts
- Electric fuel pumps
- Engine mounts
- Exhaust clamps
- Exhaust downpipe gaskets
- Exhaust manifold
- Exhaust mounts
- Exhausts
- Expansion tank
- Floorpan
- Fog lamps
- Front cross member
- Front slam panel
- Front spoilers
- Front valance
- Front wings
- Front wings, inner
- Fuel caps
- Fuel filler flap
- Fuel filters
- Fuel guage sender
- Fuel hoses
- Fuel injectors
- Fuel pumps
- Fuel tank fittings
- Fuse boxes
- Fuses
- Gasket kits
- Gauges, custom
- Gear knob, custom
- Gear knob, Golf ball
- Gear shift parts
- Gear shift repair kits
- Gearbox oil
- Gearbox parts
- Glass
- Glow plugs
- Grille spoilers
- Hall sender
- Handbrake assembly
- Head bolts
- Head gasket kits
- Header tank
- Headlamps
- Headlamps, custom
- Heater matrix
- Heater system
- Horn
- Hose clips
- HT leads
- Hub seal, rear
- Hydraulic clutch parts
- Ignition barrel
- Ignition leads
- Ignition switch
- Indicator switches
- Indicators, custom
- Indicators, front
- Indicators, side
- Inlet manifold gaskets
- Interior
- Interior light
- Interior switchgear
- Main bearings
- Manuals
- Mk3 Golf upgrades
- Novelty horns
- Oil
- Oil breather
- Oil cooler
- Oil filler cap
- Oil filter
- Oil pump
- Parcel shelf
- Performance air filters
- Performance brake discs
- Performance brake pads
- Performance camshaft pulleys
- Performance camshafts
- Performance carburettors
- Performance exhausts
- Performance gear shift parts
- Performance HT leads
- Performance suspension
- Piston rings
- Points
- Polyurethane bushes
- Power steering parts
- Radiator cap
- Radiator grilles
- Radiators
- Rear axle
- Rear lights
- Rear lights, custom
- Rear valance
- Rear wheel arch
- Rear wiper assembly
- Relays
- Reverse light switches
- Rocker cover gaskets
- Roof moulding, fittings
- Rotor arm
- Samco coolant hoses
- Screenwash
- Scuttle panel
- Seat cables
- Seat parts
- Shock absorber, rear
- Shock absorber, front
- Sill trim
- Sills, inner and outer
- Sound deadening kit
- Spark plugs
- Speedo cables
- Spot lamps
- Spot lamps, custom
- Stainless brake hoses
- Starter motors
- Steering column
- Steering rack
- Steering wheels
- Stone guards
- Strut braces
- Stub axle, rear
- Subframe
- Sump
- Sunroof parts
- Suspension top mount
- Suspension, front
- Suspension, rear
- Tailgate
- Tailgate lock
- Tailgate seal
- Tappets
- Temperature senders
- Thermo switches
- Thermostat
- Tie rod
- Timing belt kits
- Timing chain
- Tools
- Urethane bush kits
- Valve seals
- VDO
- Vibratechnics engine mounts
- Water pipes
- Waterpumps
- Wax stat
- Weber carburettors
- Wheel accessories
- Wheel arch trims
- Wheel bearing kit, front
- Wheel bearing kit, rear
- Wheel bolts
- Wheel cylinders
- Wheel hub, front
- Wheel spacers
- Wheels
- Winder mechanism, front and rear
- Window seals, Golf
- Window Seals, Jetta
- Window winders, custom
- Window winders, original
- Windscreen washers
- Wiper assembly
- Wiper blade
- Wiper motor
- Wiper spindles
- Wiper switches
- Wishbone



**From London or the East:**

- Take the M23 south from London until it becomes the A23. As you approach Brighton, turn onto the A27, in the direction of Worthing.
- Exit the A27 onto the A283 to Shoreham and at the roundabout, take the first exit onto Steyning Road.
- At the roundabout, take the first exit onto Upper Shoreham Road. At the supermarket, opposite the park, turn right onto Eastern Avenue.
- Directly before the level crossing, turn left onto Dolphin Road.

**From the West:**

- Exit the A27 onto the A283 to Shoreham and at the roundabout, take the second exit onto Steyning Road.
- At the roundabout, take the first exit onto Upper Shoreham Road. At the supermarket, opposite the park, turn right onto Eastern Avenue.
- Directly before the level crossing, turn left onto Dolphin Road.



# **vwheritage**



**47 DOLPHIN ROAD, SHOREHAM-BY-SEA,  
WEST SUSSEX BN43 6PB  
OVERSEAS TEL. +44 (0) 1273 444 000  
FAX. +44 (0) 1273 454 986**



**FREE UK DELIVERY ON:  
INTERNET  
ORDERS\***

On orders over £35. Terms and Conditions apply,  
please see [www.vwheritage.com](http://www.vwheritage.com) for details.



000-100-000/9