

# vw heritage



GOLF MK1 1974 - 1983 CATALOGUE 2015 ISSUE 1



[WWW.VWHERITAGE.COM](http://WWW.VWHERITAGE.COM)



## PARTS, PARCELS AND PROJECTS

At VW Heritage we live and breathe classic Volkswagens.

Our mission is to offer the largest range of VW parts on the planet, not just any old parts though, parts of quality, available to our customers at the right time, for the right price. These parts make the difference to our projects, and make all the difference to your VW projects too.

We take pride in our purchasing and our parts come from all over the world, but we are very active in supporting UK industry as well. 25% of all our parts are sourced or manufactured inside the United Kingdom, including our premium SSP engine range, manufactured in Weston-Super-Mare.

We currently have 8 catalogues and between them, they cover 17,000 different parts. From the largest panel and the heaviest engine to the most fragile piece of trim and the smallest clip, they are equally important to us; you couldn't build a complete VW without them.

Classic Volkswagens are a way of life, and we are happy to have spent the last 31 years as part of this vibrant community. We regard our customers as friends, and as we are customers too we know just how we wish to be treated. Our customer service is accredited by Trading Standards, and we have an industry leading 3 month returns policy\* for any parts you bought "just in case".

Our blog, Facebook, Twitter and Instagram will keep you well up to date with what we have been up to; you can also find us in a handful of specialist forums, follow our builds or pick our brains, we are here to help you. We love to see what you have been working on. Why not send us a picture of your project with your next email?

Hope to speak soon

*David Ward*

VW Heritage Founder

\*see website for full terms and conditions



ORDER BY PHONE:  
**01273 444 000**



ORDER ONLINE:  
**VWHERITAGE.COM**



FREE UK DELIVERY ON:  
**INTERNET ORDERS\***

\*On orders over £35. Terms and Conditions apply, please see [www.vwheritage.com](http://www.vwheritage.com) for details.



THOUSANDS OF CLASSIC AND PERFORMANCE PARTS FROM THE VW EXPERTS

WHY USE US?

VW Heritage is run by enthusiasts who live and breathe VWs. It's what makes us what we are; Parts Specialists. Got a question? Chances are one of us has asked it too, and now we know the answer! Our warehouse is full with more than 17,000 lines; we should be able to help no matter what your part requirements are.

PRICED TO SELL

£ We strive to have the most competitive prices out there – if you've seen it somewhere cheaper we will aim to beat it... and if we can't it probably means ours is better! All prices include VAT at 20%.

THAT'S NOT RIGHT

? Got a washer when you needed a window? Give us a call and we will get on it straight away. Be it a supplier error or just a plain human mistake, we will do our best to rectify all issues within 24 hours.

ERMM, IT SHOULDN'T BE LIKE THIS?

☒ So an elephant's sat on the box? Please, please have a look in it now. Check the contents of every order, if there's a problem to sort we need to know ASAP.

QUALITY PARTS

⚙️ All parts are sold with at least a standard one year warranty (excluding a few specific items) As much as we would love to say nothing ever breaks – it does happen, so give us a call and we will make sure it gets sorted. Let us have a look too, a picture speaks a thousand words.

DIDN'T NEED THAT BIT AFTER ALL

♻️ Our 30 Day no quibble returns policy is simple. Complete the form on our website or give us a call and we will give you a specific returns number for the unwanted items. Had the part longer? Parts can be returned up to 90 days, subject to a 20% handling charge. See terms and conditions for full details. - [www.vwheritage.com/returns](http://www.vwheritage.com/returns)

COME ON DOWN

🏠 Our doors are open 9am to 5.30pm in the week and 10am to 4pm on a Saturday. If you are making the journey for a specific part why not call us first, we can get it reserved on an order for you so it doesn't sell in the meantime.

SO WHAT NOW

💻 You can order online at [www.vwheritage.com](http://www.vwheritage.com) from the comfort of your own living room, and with free carriage available on most orders over £35 it's almost too easy! If you have a question, how about calling our mail order hotline 01273 444 000. We can offer you the advice you need, and if you order before 3pm we can usually get your parts to you by the next working day!

PAYMENT

💳 We accept the following forms of payment:  
Cash - Shop customers only • Credit/Debit Card - Visa, Mastercard  
• Bank Transfer by arrangement • Paypal



'Buy With Confidence' Approved Member

VW Heritage Parts Centre Ltd. is an Approved Member of Trading Standards' Buy With Confidence scheme. This means that we have been audited and approved by West Sussex County Council Trading Standards to provide a reliable and quality service. See our website for more details.

A full list of our terms and conditions of sale are available on request. All pictures and drawings in this catalogue are general and may not relate to a specific part. © August 2015 By VW Heritage Parts Centre Ltd. No part of this catalogue may be reproduced without written permission from VW Heritage. Street Style And Power & VW Heritage are trading names of VW Heritage Parts Centre Limited. Registered in England & Wales. Company No.3294341. VAT Number GB 475 7671 01. E. & O.E. All offers/prices are subject to change without prior notice and can be changed at any time.

ENGINE PARTS

10

FUEL

26

EXHAUSTS

28

TRANSMISSION & DRIVETRAIN

30

STEERING & SUSPENSION

32

BRAKES

38

WHEELS

42

CABLES & CONTROLS

46

BODY

50

INTERIOR

64

ELECTRICAL

68

BOOKS & TOOLS

80

INDEX

82



# CARRIAGE COSTS

We operate a fast and efficient mail order system.

Delivery prices are shown in the table and include VAT @ 20%. Exports outside Europe are priced individually.

All goods sent by ourselves are fully insured against loss and damage. We make sure you get your parts in perfect condition wherever you are.

On receipt of your parcel, always check the goods before signing. If there are any damaged, missing or incorrect parts we need to know within one working day of delivery. This will enable us to sort out any problem quickly!

**A = Normal Orders**

**B = Glass, Panels, Front Axles & Bumpers**

**C = Engines, Gearboxes, Complete Bus Front Panels & Bonnets**

Glass - Mail orders containing glass require special packaging (this is an additional charge). This will be refunded if the packaging is returned.

**WE HAVE INCLUDED ALL THE PARTS WE STOCK FOR THE VW GOLF MK1 AT THE TIME OF GOING TO PRESS. IF YOU CAN'T FIND THE PART YOU NEED PLEASE GIVE US A CALL AS WE MAY HAVE ADDED IT TO OUR RANGE SINCE THIS CATALOGUE WENT TO PRESS.**

# NEED ANOTHER CATALOGUE? GET YOUR FREE COPY TODAY

Request yours today and we will send it to you right away! Ghia, Beetle, Split Bus, Bay, T25, T4 & MK1, MK2 Golf catalogues. All the restoration parts you could need for your VW in similar detail to this catalogue. Please note the Karmann Ghia catalogue is just for Ghia specific parts, and now only available as a download. Please use the Beetle catalogue for mechanical items.



UK Mainland, Scottish Highlands, & Isle Of Wight			
Order Value	A	B	C
Up to £19.99	£4.00	£8.00	£40.00
£20.00 - £74.99	£6.50	£10.00	£40.00
£75+	£9.50	£16.50	£40.00

Scottish Islands, Northern Ireland, Channel Islands, Scilly Isles & Isle of Man			
Order Value	A	B	C
Up to £19.99	£4.00	£15.50	£80.00
£20.00 - £74.99	£9.50	£17.50	£80.00
£75+	£12.50	£22.50	£80.00

Eire, Belgium, Luxembourg, Germany & France			
Order Value	A	B	C
Up to £19.99	£8.00	£22.50	£80.00
£20.00 - £74.99	£13.50	£31.00	£80.00
£75+	£20.00	£35.00	£80.00

All other European & Worldwide destinations - please call our sales team for a quote.



## ONLINE AND ON THE MOVE!

All parts are available on our website and on our mobile site for use with smart phones, great for in the garage or out on the show field.





# RUN BY ENTHUSIASTS, FOR ENTHUSIASTS

This is a snapshot of the VWs currently owned by some of our staff at VW Heritage.

Because we are VW owners and drivers, we understand why quality is important and with our many collective years of experience owning and working on VWs, we will help you

through your restoration or repair job with technical advice and, most importantly, by supplying the right parts on time.



**David - Managing Director**  
'83 Mk1 Golf, 1100cc 28,000 miles from new, completely standard



**Barney - Sales Director**  
VW Heritage hand built Mexican Beetle, 1600cc, Donau rally livery



**Paul - Purchasing Director**  
'89 Tischer, 1 of 27



**Mark - Operations Director**  
'99 T4 Caravelle, lowered, 16" Borbet B alloys, bonnet bra, leather seats.



**Nick - Sales Manager**  
'62 US Spec Beetle Original Gulf Blue paintwork, rag top, SSP BRM's



**Ben - Market Analyst**  
'69 Deluxe, original paint, 2109cc Type 1 motor



**Nigel H - Engine Specialist**  
'90 T25 2.1 injection, lowered by 60mm on Porsche Design 90's



**Andy - Marketing Manager**  
'76 Polo L, lowered 60mm, 15" Fooks alloys, rebuilt 895cc, full body resto



**Anna - Product Manager**  
'90 MK2 VR6 with BBS RM wheels and Rallye front end



**Dave - Web and I.T**  
'65 Beetle, SSP GT6s, narrowed beam, TMI Interior, 1600cc



**Aurelie - Trade Sales**  
'90 Split, ex Swiss ambulance 1776cc CSP Python exhaust, SSP Fooks



**James T - Trade Sales**  
'66 Beetle, sea blue 1641cc homebuilt turbo motor, Gasburners



**Andy - Sales**  
'91 GTD MK2 Golf - lowered 40mm on KW suspension, Jetta GTI interior



**Will - Graphic Designer**  
'73 Beetle, lowered at the front, original 1200cc engine



**Pavel - Warehouse Operative**  
'78 Bay Window, full restoration project, 1600 Mk2 Golf diesel engine



**Laurent - Trade Sales**. Type 3 Fastback DIY restoration, repaint in Savannah Beige, 1641cc motor



**Tara - Purchasing Coordinator**  
'72 Beetle, fully restored, 1600cc, silver Empi 8s



**James - Web Content Manager**  
'58 Karmann Kafer Kabriolett



**Christian - Returns**  
'91 MK2 Golf GTI, lowered, Porsche Design 90's



**Alex T - Sales Administration**  
white '65 Beetle, 1600cc



# HOW TO USE THIS CATALOGUE

With so many different parts available it can be confusing trying to work out the parts you need. We have tried to make this as clear as possible with comprehensive diagrams and photographs. Below is a breakdown of our price panels so ordering the correct part is straight forward and hassle free.

Number of Diagram / Photograph	Title & Description of Parts	Part Number	Price
1	<b>Core Plug</b> , 36.6mm	036-103-113/A	each
2	<b>Crank Seal</b> , with flange	068-103-171/F	each
3	<b>Crank Oil Seal Housing Gasket</b>	026-103-181/B	each
4	<b>Bolt</b> , M6 x 18	N01-021-612	each
5	<b>Washer</b> , 7 x 14 x 0.8	N01-223-45	each
6	<b>Bolt</b>	N01-022-76	each

Unit of Sale

## Abbreviations Used In The Catalogue

**NCA** = Not Currently Available - This part has been included as we believe it may become available in the future.

**NLA** = No longer available.

**TBA** = To be announced - This is a brand new product.

**CALL** = The price and supply of this part can fluctuate please call for a quote.

>7/78 = Up to July 1978.

8/78> = August 1978 onwards.

# CHASSIS NUMBERS

Year	Chassis No. From	Chassis No. To
1974	174 2000 001	174 2500 000
1975	175 2000 001	175 3500 000
1976	176 2000 001	176 3500 000
1977	177 2000 001	177 3500 000
1978	178 2000 001	178 3500 000
1979	179 2000 001	179 3500 000
1980	17A 2000 001	17A 3500 000

Introduction of Standardised International VIN System

Pre 1980 cars only had numbers in their chassis number, so check for the 3rd digit to identify the year of manufacture, remember the year works from August to July.

So if your car has 6 as the third digit it was made between August 75 and July 76, making it a 76 model.

4=1974   5=1975   6=1976   7=1977   8=1978   9=1979

Cars from 1980 onwards had letters and numbers in their chassis number. Use this formula below to understand your VIN plate.

## Decoding your chassis number

Ignore	Type	Ignore	Year	Plant	Number
wv1zzz	70	z	Y	H	125849
<b>A = 1980</b>	<b>K = 1989</b>	<b>Plant Codes</b>	<b>9 = TAS,</b>		
<b>B = 1981</b>	<b>L = 1990</b>	<b>K = Osnabruck</b>	<b>Bosnia</b>		
<b>C = 1982</b>	<b>M = 1991</b>	<b>(Karmann</b>	<b>W = Wolfsburg</b>		
<b>D = 1983</b>	<b>N = 1992</b>	<b>Factory)</b>	<b>B = Brussels</b>		
<b>E = 1984</b>		<b>V =</b>	<b>P = Mosel</b>		
<b>F = 1985</b>		<b>Westmoreland</b>			
<b>G = 1986</b>		<b>(VW of</b>			
<b>H = 1987</b>		<b>America)</b>			
<b>J = 1988</b>					

# ENGINE CODES

Code (Mk1 Engines)	CC	KW			
2H	1800	72 DIGIFANT	FA	1100	37
CK	1600	37 DIESEL	FD	1500	63
CR	1600	40 DIESEL	FG*	1500	55
CY	1600	51 TURBO DIESEL	FH	1500	51
DX	1800	81 K JETRONIC	FK	1500	51
EE*	1600	60	FL*	1500	55
EG	1600	81	FN*	1600	55
HT*	1500	77 K JETRONIC	FP	1600	55
EJ*	1600	61 K JETRONIC	FR	1600	63
EN*	1800	61 K JETRONIC	FV	1600	48
EW	1600	55	FX*	1500	46
EX	1800	66	GF	1300	44
			GG	1100	37
			GH	1500	48
			JB	1500	51
			JH*	1800	70
			JK	1600	40 DIESEL



# UNDERSTANDING YOUR MK1 GOLF

The Golf Mk1 (Typ 17) was launched to the public in May 1974, just six months after the debut of the Scirocco at the Geneva motor show.

The Scirocco, sharing its chassis with the forthcoming Golf worked as a test bed for any teething problems while on general sale, paving the way for the Beetle's successor to be unveiled as a known quantity to Volkswagen and its dealers.

A year later in September 1975, an after hours project conducted by some of VW's development engineers came to fruition with the Golf GTI being put on display at the Frankfurt Motor show. However all those keen to get their hands on it would have to wait, until the following June when 5000 models were put into production, enough to homologate it for use in motorsport. Produced in LHD only up until 1979 the GTI had limited appeal in the UK, sales figures spiked from just 22 in 1978 to 1500 in 1979 with the launch of the RHD GTI.

The earliest examples of the Golf are referred to as a "Swallow Tail" due to its pronounced dip below the rear number plate; these models also featured drum brakes (later recalled for a disc upgrade) and a smooth bonnet, and are considered the ones to have for many enthusiasts. This styling only lasted a year, with the swallow tail rear panel being smoothed out accentuating the gap between the small tail lights, which remained until 1980.

The much sought after chrome bumpers made way for wrap around plastic items in time for the 79 models to be on sale. Other upgrades for the 1980 model included the "series 2" dashboard, GTI models lost the original chequered cloth interior in favour of vertical stripes. In 1982 the GTI got a bigger engine, the 1588cc was replaced by the new 1781cc, although the power remained almost

the same, torque and acceleration were improved.

The MFA, on board computer system was introduced in 1982, and a version of this has been used in GTI models ever since.

The last year of Mk1 "tin top" production saw the original GTI bow out with the Campaign model. Made from August 83 onwards, they are fitted with the iconic 14" Pirelli alloy wheels; leather bound steering wheel, green tinted glass and a factory sliding sunroof as some of their distinguishing features.

The Golf was marketed under a few different names; the Americans refer to the Mk1 as a Rabbit, it is called the Caribe in Mexico and was later referred to as the Citi Golf in South Africa, where it remained in production until 2009.

Sharing its underpinnings with the Mk1 Golf is of course the Cabriolet model, and the saloon Jetta; also included in this list is the Scirocco Mk1 and Mk2, and the Caddy to some extent.

The Cabriolet model was first introduced to VW by Karmann in 1976 however it didn't make it to production until late 1978, or early 79 depending who you trust!

The Cabriolet model (Typ 155) only underwent minor changes up until 1988 when the "Clipper" body kit was fitted. The bumpers were made deeper and were body coloured, the wheel arches extended with bigger plastic trims which then flowed into the side skirts. The front grille was updated to reflect the newer style of Mk2 Golf grille, was fitted with centre spot lights as standard.

The convertible Golf took the accolade of being the world's most popular convertible car in June 1991, and eventually ran until 1993 with the Sportline and luxury Rivage models being the "run out" editions, and subsequently highly sought after today.

The Jetta (Typ 16) was introduced to cater for the American market initially, offered in the US and Europe as both a 4 door saloon, and a 3 door Coupe, the Jetta was only ever sold in the UK as a 4 door saloon. The Mk1 Jetta had a relatively short production run, from August 79 through to February 84 with 571,030 vehicles produced from the German Wolfsburg factory, and later at the TAS (Tvoronica Automobilia Sarajevo) factory in Bosnia.

The Caddy (Typ 14) was launched to the US in 1980, manufactured at the Westmoreland plant, although in the US it was branded the "Rabbit pick up" to avoid confusion with the locally produced Cadillac cars.

In Europe the Caddy was sold from 1982, being produced at the TAS plant in Bosnia, it was also manufactured in South Africa until 2007.

Like the Cabriolet, and the Scirocco models, it outlasted the tin top by quite some years, remaining on sale in the UK until 1992.

The Scirocco pioneered the Golf's chassis and engine in 1974, and the Mk1 model (Typ 53) designed by Giugiaro was to be the successor to the much loved Karmann Ghia.

The Mk1 style was given a plastic bumper facelift in 1978, and continued in production at the Karmann factory until 1982, with just over 500,000 being manufactured in total.

In 1982 the Mk2 Scirocco (Typ 53B) was launched, while it lost 5mm in height it gained 33cm in length and 2cm in width over its predecessor.

The Mk2 remained on sale in the UK until 1992, the last few years alongside its replacement the Corrado. In the USA and Canada the Scirocco was replaced when the Corrado was released in 1988/89.



# VW CLASSIC PARTS COULD BE THE ANSWER TO YOUR PRAYERS!

Our partnership with VW Classic Parts is helping enthusiasts all over the UK to track down those missing pieces for their projects from the very source that the parts came from in the first place!



Whether it is a single screw or a side panel, a headlamp or a hose, VW Classic Parts could have that elusive part you require. Having collected over 40,000 parts of obsolete stock from warehouses and dealerships around the globe this is a fantastic resource for us to be able to share with you.

David Ward, founder of VW Heritage explains the importance of this partnership to VW Heritage and the UK VW community.

*“Since starting out in the early eighties we have travelled full circle. We are still supplying hard to find and obsolete genuine parts for Beetles and other classic Volkswagen models, just now they come shipped direct from Wolfsburg –not collected by me from a German VW dealer in the family Camper!”*

*This is such great news for VW enthusiasts in the UK, it's real proof that VW care about their heritage and are in full support of the UK Volkswagen scene.”*

Volkswagen haven't just drawn a line in the sand to define their classic cars, it is a rolling cut off which means even the T4 van is now classed as a classic! So we can help you get genuine parts for it, even if the main dealer can't.

Carsten Thrandorf, International Sales Director at VW Classic Parts has reinforced his commitment to VW Heritage with some great news.

*“We are expecting to reproduce 500 original parts in the next 5 years, and we firmly believe our partnership with VW Heritage will go a long way to making sure these are the “right parts” to manufacture, and that they are available to the enthusiasts who really need them.*

*In VW Heritage we have found a company with over 25 years experience and a strong team of knowledgeable enthusiasts who are able to offer the level of service that is expected by existing and new customers of the VW brand. We can only look forward with anticipation and excitement to the future of this partnership.”*

# VW HERITAGE BECOMES A TÜV ACCREDITED PARTS MANUFACTURER

Having recently passed the strictest of audits for German TÜV Quality Management Processing, we are proud to say VW Heritage is now a certified and approved TÜV manufacturer.



With this coveted TÜV approved production standard, we have been able to receive TÜV certifications on all our SSP Cosmic, SSP Fook, and SSP Gasburner wheels, and we plan for more TÜV certified wheels to follow.

## What is it all about?

The German Ministry of Transport only accepts non-standard parts installed on cars which are tested and certified by the German TÜV. This certification process is well known for its very high safety requirements and is enforced by the German TÜV and the German Police force.

Our intention is to manufacture SSP wheels to comply fully with TÜV requirements for use in the German market.

Whilst this is great news for our German customers, for those that the TÜV doesn't yet apply to, it is a guarantee of maximum durability and safety with regards to fitment as passed and approved by the TÜV Certification Tests.

## What does this mean for you?

Although currently only legislation in Germany, there are drafts made for an EU-wide TÜV testing system that will become standard in mainland Europe and set to head across the channel to the UK in the next few years. TÜV approval will be required for all non standard additions you make to your vehicle.





# ENGINE PARTS

Want to change the engine in your 1100-1300cc model to something bigger? You'll need to weld an extra engine mount in place!

Need ignition parts? Check out our full range in the electrical section.



What size engine do you have? Is it petrol or diesel?

Running problems? Spray your inlet manifold and carb base gasket with WD40 while it's running - if the engine note changes you've got an air leak!



Engine oil, 15W/40, 5 litre, ML-005 £23.95 each



Anti Freeze / Coolant, G-012-A8G-M1 £9.90 each



Quantum Synta, 10W/40 ZGB-115-QLB/S £24.99 each



Gearbox Hypoid 80-90W, ZGB-115-QLB/GEAR £8.50 each



Screenwash G-052-164-M2 £4.96 each

## BEARINGS

### 1 Main bearings 1050-1300cc and 1500-1800cc including diesel / Turbo diesel >87

Std x Std x Std	068-198-491	each	£52.50
0.25 x Std x Std	068-198-493	each	£52.50
0.5 x Std x Std	068-198-495	each	£51.40
0.75 x Std x Std	068-198-497	each	£51.40

### 1600-1800cc 87> Including diesel / Turbo diesel, 16v and G60

You will also require thrust washers 026-198-421 for the standard kit below

Std x Std x Std	026-198-491/A	each	£41.10
0.25 x Std x Std	068-198-493	each	£52.50
0.5 x Std x Std	068-198-495	each	£51.40
0.75 x Std x Std	068-198-497	each	£51.40

### 2 Big end bearings 1050-1300cc

Std	030-105-701/G	each	£27.50
0.25	030-105-707/G	each	£27.50
0.5	030-105-713/G	each	£27.50
Std	056-105-701	each	£42.50
0.25	056-105-707	each	£41.00

### 1600-1800cc including 16v and G60 DX, JJ, EW, HN

Std	034-105-701	each	£29.50
0.25	034-105-707	each	£30.80
0.5	034-105-713	each	£30.80

### Diesel and Turbo diesel

Std, 74-83	056-105-701	each	£42.50
Std, 83-	033-105-701	each	£29.50
0.25	033-105-707	each	£29.50
0.5	033-105-713	each	£30.80

### 3 Small end bushes

1050-1300cc	052-105-431	each	£18.50
1600-1800cc inc 16v	026-105-431	each	£18.50
1800cc G60	056-105-431	each	£18.50
Diesel / Turbo diesel	069-105-431/A	each	£17.95



1 Main bearings	std	026-198-491	each	£34.50
	0.25	068-198-493	each	£52.50
2 Big end bearings - Diesel/Turbo diesel		033-105-701	each	£29.50
3 Big end bolt		056-105-425/B	each	£15.50

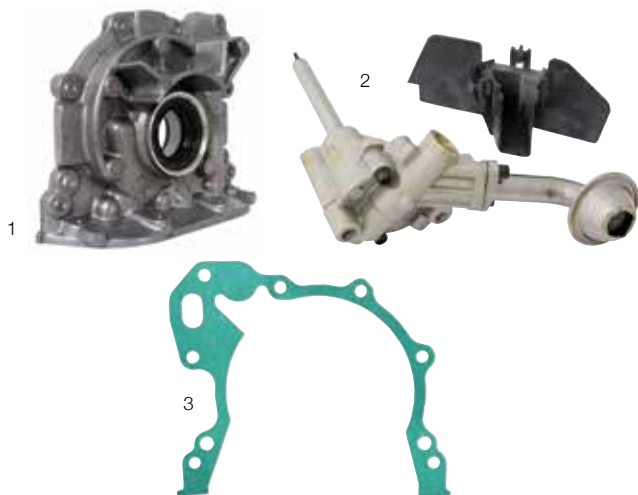


## SUMPS



<b>Sump, 1050-1300cc</b>	030-103-601/E	each	<b>£40.00</b>
<b>Sump, 1500-1800cc &gt;7/87</b>	055-103-601	each	<b>£29.50</b>
1 <b>Sump, 1600-1800cc all models 8/87-7/92</b>	051-103-601	each	<b>£26.50</b>
2 <b>Sump, 1600 turbo diesel</b>	068-103-601/L	each	<b>£70.20</b>
3 <b>Sump bolt, all models</b>	N90-288-901	each	<b>£2.20</b>
<b>Sealing washer, for above</b>	N01-384-92	each	<b>£1.10</b>
<b>Sump gasket, 1500-1800cc</b>	044-103-609/D	each	<b>£6.00</b>
<b>Sump gasket, 1050-1300cc</b>	032-103-609/B	each	<b>£6.00</b>
<b>Sump 88&gt;, 1600 1800cc</b>	051-103-601	each	<b>£26.50</b>
<b>Sump plug - all models</b>	N90-288-901	each	<b>£2.20</b>

## OIL PUMPS



1 <b>1000-1300cc, &gt;7/85</b>	052-115-105/A	each	<b>£88.50</b>
2 <b>Oil pump 1500-1600cc</b>	027-115-105	each	<b>£45.00</b>
3 <b>Oil pump gasket 1100-1300cc</b>	052-115-189/B	each	<b>£1.80</b>

## OIL FILTER



1 <b>Petrol all models</b>	056-115-561G	each	<b>£5.00</b>
2 <b>Diesel all models</b>	068-115-561/B	each	<b>£9.00</b>
3 <b>Cable tie, special, various applications</b>	N90-666-101	each	<b>£0.76</b>

## DIPSTICKS & GUIDES



1 <b>Seal for 1500-1600cc &gt;7/82</b>	059-115-625	each	<b>£0.50</b>
2 <b>Dipstick 1500-1800cc 8/82&gt;</b>	027-115-611/C	each	<b>£4.00</b>
3 <b>Guide tube for 1600-1800cc</b>	053-103-663	each	<b>£1.50</b>
4 <b>Dipstick diesel all years</b>	068-115-611/P	each	<b>£7.50</b>
5 <b>Guide tube for diesel</b>	036-115-636	each	<b>£2.80</b>

## OILS & FLUIDS



1 <b>Servol 15w/40 multigrade 5 litres</b>	ML-005	each	<b>£23.95</b>
2 <b>Quantum Synta, semi-synthetic 10W40, 5L</b>	ZGB-115-QLB/S	each	<b>£24.99</b>
3 <b>Gearbox Hypoid 80-90W, 1L</b>	ZGB-115-QLB/GEAR	each	<b>£8.50</b>
4 <b>Antifreeze, G13 (safe with all VAG coolants) 1.5L</b>	G-012-A8G-M1	each	<b>£9.90</b>
5 <b>Screenwash, lemon scented, Genuine VAG, 1L</b>	G-052-164-M2	each	<b>£4.96</b>



**UPGRADES & CUSTOM PARTS**

**PERFORMANCE CAMSHAFT**



**Piper cams**

**Golf GTI 8v Pre-1986 with mechanical tappets, cam kit**

<b>Fast road</b> , Gains of up to 10bhp	WC109KBVG270	each	<b>£484.00</b>
<b>Ultimate road</b> , gains of up to 14bhp	WC109KBVG285	each	<b>£484.00</b>

**Golf GTI 8v Post-1986 with hydraulic tappets, cam kit**

<b>Fast road</b> , gains of up to 10bhp	WC109KBVG270H	each	<b>£484.00</b>
<b>Ultimate road</b> , gains of up to 15bhp	WC109KBVG285H	each	<b>£484.00</b>
Ultimate road and rally	WC109KBV16V285H	each	<b>£848.00</b>
Rally	WC109KBV16V300H	each	<b>£848.00</b>

<b>Fast road</b> , gains of up to 12bhp	WC109KBV16VBP270H	each	<b>NCA</b>
---	-------------------	------	------------

**UPGRADES & CUSTOM PARTS**

**VERNIER PULLEYS**



**8V GTI/G60**

Black	WC109PULDGTI	each	<b>£181.00</b>
Blue	WC109PULDGTIB	each	<b>£181.00</b>
Red	WC109PULDGTIR	each	<b>£181.00</b>

**Competition cambelts**

1.5/1.6/1.8/8V GTI/G60	WC109TBP23	each	<b>£46.10</b>
------------------------	------------	------	---------------

**UPGRADES & CUSTOM PARTS**

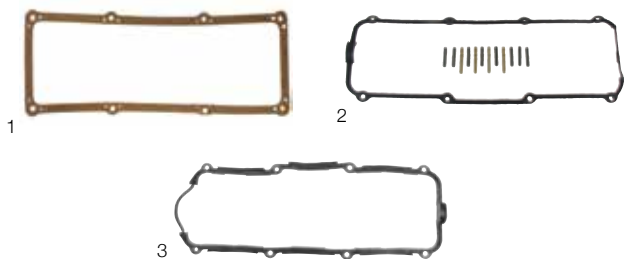
**AUTOTECH CAMSHAFT**



1 <b>Camshaft</b> , Autotech, up to 1985 with solid lifter	WC109AT1010901SOLID	<b>£158.00</b>
2 <b>Intermediate shaft pulley</b> , Autotech, 1.6-2.0 GTI 8V	WC109AT10109111K	<b>£99.90</b>
3 <b>Alloy timing gear</b> , Autotech, 1.6-2.0 8V	WC109AT10109401K	<b>£126.00</b>
4 <b>Heavy duty valve springs</b> , for use with GTI 8v	WC109AT10109600K	<b>£85.00</b>

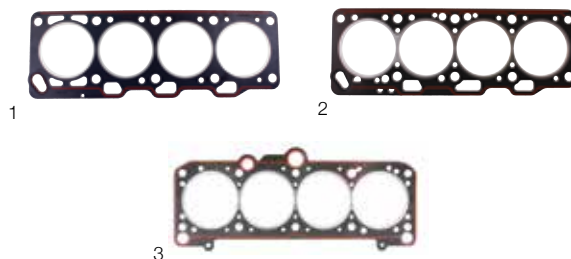


## ROCKER COVER GASKETS



1	1000-1300cc, 2/74-7/85	052-103-483/C	each	£2.50
2	1500-1800cc, not 16v, cork w/half moon seal	026-198-025/A	each	£3.50
3	G60	037-103-483/C	each	£8.99
	Diesel and Turbo diesel 1.6/1.7	056-103-483/D	each	£2.80
	Sealing strip	056-103-489/A	each	£0.46
	Halfmoon seal	049-103-491	each	£0.60

## HEAD GASKETS



1	1100cc 7/76-7/83, 1300 >7/79	052-103-383/J	each	£27.50
2	1300cc, 8/79-7/83	030-103-383/M	each	£12.50
3	1600-1800cc 83>, all models inc. 16v, exc. G60	026-103-383/P	each	£12.50
	1500-1600cc -8/75-7/83	049-103-383/A	each	£14.00
	1500cc	049-103-383/K	each	£28.50
	Diesel / TD	068-103-383/FN	each	£25.50

## OIL BREATHERS



	Breather 1000-1300cc, metal in block	036-103-129	each	£19.30
1	Oil separator, plastic, 1000-1300cc, 85-91	052-103-495	each	£35.00

## HEAD BOLTS



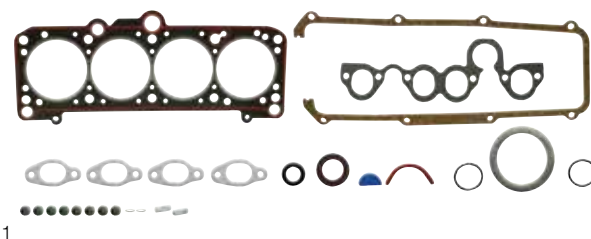
1	1100-1300cc	049-103-385	each	£12.50
2	1500-1800cc	049-103-384/B	each	£12.50
	Diesel >8/79, M11 x98mm	056-103-385/A	each	£18.95
3	Diesel, 79>, M12 x115mm	068-103-384/A	each	£20.00

## INLET MANIFOLD GASKETS



1	Water heated manifold 1000-1300cc	030-129-717/D	each	£3.00
	Air heated manifold 1000-1300cc	036-129-717/A	each	£3.50
2	1500-1800cc, all exc. 16V	026-129-717/D	each	£3.00
	Sealing washer, for above	035-121-171/C	each	£0.95
	Upper gasket 1800cc, 16v	027-129-717/D	each	£7.20
	Diesel, all models	068-129-717/E	each	£4.00

## HEAD GASKET SETS



	1100-1300cc	030-103-383/M	each	£12.50
1	1600-1800cc, 83-91, all petrol exc. 16v/G60	027-198-012/L	each	£42.20
	Diesel, 1.6/1.7	068-198-012	each	£24.70

## OTHER GASKETS



	Crankcase gasket set			
1	1600cc	037-198-011/C	set	£46.50
	Engine gasket sets			
2	1300 79-83	052-198-001/M	set	£82.20
	Decoko set. Diesel	068-198-012/L	set	£29.50
	Gasket & clamp, for exhaust manifold, 1500-1800 carb.	161-298-115	each	£10.50

## DOWNPIPE GASKETS



1	1100-1300cc	036-253-115/A	each	£4.60
	1500-1600cc	841-253-115/B	each	£1.99
2	1600-1800cc GTI	055-253-115/A	each	£5.50
	1600cc, Diesel, 83-91	893-253-115	each	£3.95



## DIESEL VACUUM PUMP PARTS



1	<b>Repair kit</b> , for vacuum pump valve	068-198-819	kit	<b>£11.50</b>
2	<b>Diaphragm</b> , for vacuum pump	068-198-821/A	each	<b>£9.00</b>

## PISTON RING SETS



**Note:** These are sold per piston, you will need 4 to make a complete set. Please call if you can't see what you require.

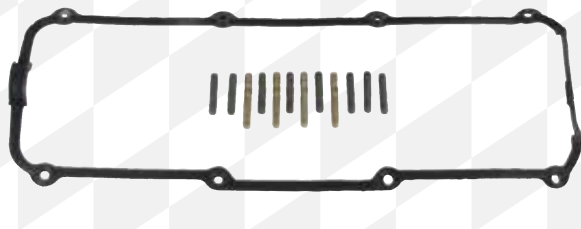
<b>1300cc</b> , GF engine code, 1x piston/set 75mm	052-198-151/C	set	<b>£52.50</b>
<b>1600cc</b> , EG engine code 79.5mm	049-198-151/F	set	<b>£26.50</b>
<b>1600cc</b> , EW / HN engine code 81mm	026-198-151/B	set	<b>£25.70</b>
<b>1800cc</b> , DX / JJ engine code 81mm	026-198-151/A	set	<b>£24.70</b>
<b>1600cc</b> , Diesel / T.Diesel 76.5mm	068-198-151/C	set	<b>£81.40</b>

## OIL FILLER CAP



1	<b>Oil filler cap</b> , all models	026-103-485/A	each	<b>£2.75</b>
2	<b>Oil deflector</b>	026-103-547	each	<b>£10.00</b>

## UPGRADES & CUSTOM PARTS MK3 PARTS/UPGRADES



<b>Mk3 8v Rocker gasket set</b> 1600-1800cc, With studs use to convert from cork	026-198-025/C	set	<b>£16.00</b>
Without studs replacment rubber gasket	051-103-483/A	set	<b>£9.90</b>

## CAM FOLLOWERS & VALVES



	<b>Valve lever</b> , manual adjustment, 1100-1300cc	052-109-443	each	<b>£36.00</b>
	<b>Ball headed adjusting screw</b> , 1100-1300cc	052-109-449	each	<b>£5.60</b>
1	<b>Valve collets, 2 per valve</b> , 1100-1300cc	113-109-651/A	each	<b>£1.00</b>
	<b>Hydraulic cam follower</b> , 8/74 >7/85 1500-1800cc	056-109-311/A	each	<b>£18.50</b>
2	<b>Hydraulic cam follower</b> , 8/85- 1600-1800cc	034-109-309/AD	each	<b>£7.96</b>
	<b>Valve stem oil seal</b>			
	All except 16v	026-109-675	each	<b>£1.00</b>
3	<b>Valve guide</b> except 16v	056-103-419/A	each	<b>£6.50</b>

## CAM BELTS & CAM BELT KITS



	1100-1300cc, 8/74-90	052-109-119	each	<b>£12.00</b>
	<b>Cambelt kit with tensioner</b>			
1	1500-1800cc, carb & injection, all models inc.G60	026-109-243/E	kit	<b>£26.00</b>
	1600cc, Diesel, 8/76-7/91	068-109-119/E	each	<b>£16.50</b>

## CAM BELT COVERS



	1500-1800cc, 8/79-7/91, Outer lower	049-109-175	each	<b>£9.30</b>
1	1500-1800cc 8/79-7/83, Outer upper	055-109-107/B	each	<b>NLA</b>
	1500-1800cc, petrol, all exc. 16v/G60 87-91. Outer upper	026-109-107/B	each	<b>£7.20</b>
2	1500-1800cc, petrol, all exc. 16v/G60 87-91. Inner Upper	026-109-173/A	each	<b>£4.50</b>

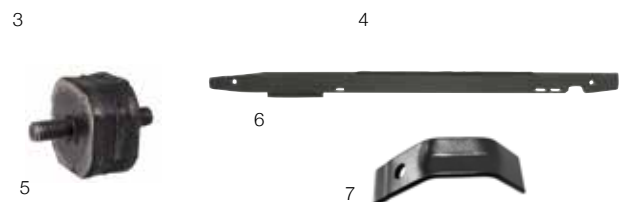
## CAM BELT TENSIONER



1	1500-1800cc, 8v	026-109-243/L	each	<b>£18.00</b>
2	Diesel, 76>	068-109-243/F	each	<b>£18.00</b>



## RADIATORS



1	1100-1300cc, 1/81-1/83, 430mm top fill	171-121-253/AD	each	£85.00
2	1500-1600cc, 430mm, top fill	171-121-253/BD	each	£85.00
3	1600-1800cc, Cabriolet, 430mm	191-121-253/D/K	each	£45.00
	1500-1800cc inc. Diesel, 480mm	171-121-253/D	each	£85.00
4	1600-1800cc, Cabriolet / Diesel, 525mm	321-121-253/AL	each	£51.50
	1600cc, Caddy, diesel, 570mm	171-121-253/CL	each	£85.00
5	Radiator rubber mouting	171-121-275/E	each	£3.00
6	Radiator cover, Genuine VW	171-121-293/GEN	each	£10.50
7	Radiator top retaining plate	17S-121-267	each	£3.00

## HEATER MATRIX



Heater matrix	171-819-031	each	£17.90
---------------	-------------	------	--------

For heater hoses please see page 18.  
For more heater parts please see page 76.

## OIL HOSE



1	Half inch hose, black	AC1159282	per mtr	£9.50
2	Half inch hose, stainless braided	AC1158822A	per mtr	£24.00

## OIL COOLERS



1	1600-1800cc GTI models >7/83	113-117-021	each	£47.00
2	1600-1800cc inc diesel 8/84>	068-117-021/B	each	£40.00

## HEADER TANKS



>10/82	171-121-407/E	each	£12.00
1 82-83	171-121-407/F	each	£12.00
2 Cap for above	171-121-321/C	each	£3.50

## UPGRADES & CUSTOM PARTS

### REMOTE OIL COOLERS



1	24 Row cooler kit (37.5x75x275mm)	WC1179299	each	£82.50
2	48 Row cooler kit (37.5x144x275mm)	WC1179278	each	£91.70

WATERPUMPS



1	1100-1300cc all years	052-121-004	each	£27.50
2	1500-1600cc petrol >7/81, diesel >4/82	026-121-010/A	each	£35.00
	1600-1800cc petrol 8/81>, diesel 4/82>	037-121-010/C	each	£39.94
3	1500-1800cc, all models -Internals only, no housing	026-121-005	each	£18.50
	1600cc Diesel, 1/81-7/85	068-121-005/C	each	£19.50

WATERPUMP PULLEYS



Please call if your vehicle has Air Con or PAS.

Pulley wheel

1	1600/1800cc inc GTI 8v	026-121-031	each	£6.20
	Diesel	068-121-031	each	£26.88
2	With power steering	027-121-031/A	each	£75.00

THERMOSTATS



<b>Thermostats</b>				
1	1100-1300cc >7/78	036-121-113	each	NLA
	1100-1300cc, 8/78-7/83	036-121-113/B	each	£6.80
	1600-1800cc, 83-91	056-121-113/D	each	£6.00
	Diesel, 84>	044-121-113	each	£6.00
<b>Seal</b>				
	1100/1300cc models	052-121-119	each	£2.50
2	1500-1800cc inc Diesel, 50mm dia.	038-121-119/B	each	£1.25

THERMOSTAT HOUSING



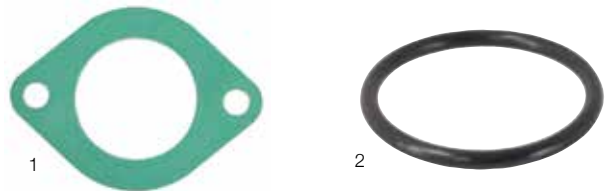
<b>Thermostat housing</b>				
	1100-1300cc	NLA	each	NLA
	Flange for above	052-121-121/D	each	£20.00
1	1500-1800cc inc Diesel (take off on bottom of waterpump)	055-121-121/F	each	£5.50

WATER FLANGES



<b>Water flanges</b>				
	1600-1800cc	026-121-133/C	each	NCA
1	1600-1800cc, Cabriolet/Caddy/ Scirocco 8/89-	037-121-132/B	each	£6.30
	1600-1800cc, all models 8/81-	026-121-144/E	each	£3.70
	1800cc GTI	026-121-144/F	each	£4.00
2	1800cc Carb, Cabriolet with oil cooler	037-121-133/C	each	£6.00
	All diesel	068-121-133/M	each	£4.50
	1600cc Diesel, Caddy 8/90-7/92	068-121-132	each	£6.95
3	Clip for push in sender	032-121-142	each	£0.80
	Seal for above	N90-316-802	each	£1.75
4	Sender hole block off kit	357-198-140/S	each	£7.20

GASKETS AND SEALS



<b>Gaskets</b>				
1	1100, 1500-1600cc Diesel, 8/82- 07/90	052-121-091/A	each	£1.50
2	O ring, 36mm diameter	037-121-687	each	£1.80

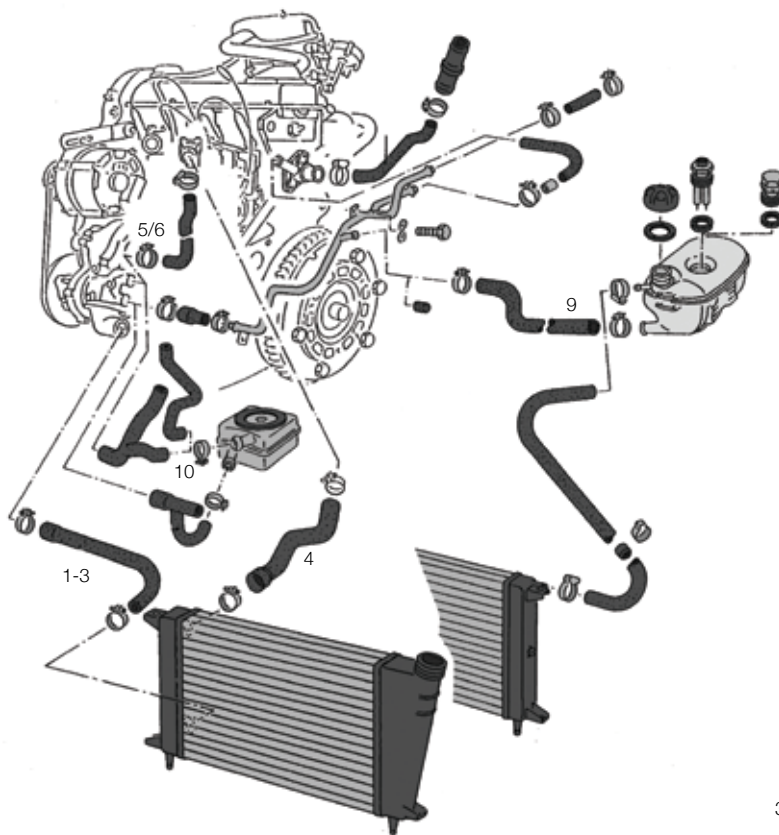


CAN'T SEE THE PART YOU NEED LISTED?

CHECK THE PART NUMBER ONLINE IT MIGHT BE AVAILABLE FROM VW CLASSIC PARTS.



## HOSES



1



4



8



2



5



6



7



10



3

### Bottom radiator hose

1	1100-1300cc, >7/82	171-121-051/L	each	£6.50
	1100-1300cc, 8/83>	171-121-051/J	each	NLA
2	1500-1600cc	171-121-051/B	each	£5.50
3	1600-1800cc Carb/GTI/Diesel	171-121-051/G	each	£6.70

### Top radiator hose

4	1100-1300cc	171-121-101/N	each	£7.25
	1500cc/1600cc carb 1/81-7/83, 1.6 GTI 76-82	171-121-101/E	each	£8.50
	1600cc/ Diesel	171-121-101/AH	each	£14.00
	1600-1800cc Carb / Diesel	533-121-101/F	each	£9.90
	1800cc GTI	533-121-101/F	each	£9.90

5	Water pump to flange, 1500-1600cc	056-121-053/B	each	£8.50
6	Water pump to head, Diesel exc TD models	068-121-053/M	each	£10.00
7	Engine to heater, 1500-1600cc	171-121-611/AN	each	£6.00

8	Water pump to metal pipe, 1500-1800cc	055-121-063/A	each	£11.00
9	Water hose, Exp tank to metal pipe, G1 1.5/1.6/1.6D/1.6 GTI	171-121-109/E	each	£5.50
	Metal water pipe to thermostat head, 1100-1300cc	036-121-054/B	each	NLA
	Thermo valve to inlet manifold or cylinder head, 1500-1600cc	049-121-123/A	each	£7.50
	Wax stat to inlet manifold, 1600cc carb	027-121-057	each	£6.60
	Water hose, pump-oil cooler, Golf Mk1 1.6D/TD, Cabrio 1.6+*	068-121-058/M	each	NLA
10	Water pump to oil cooler/head, 1600cc D/TD	068-121-053/P	each	£11.00
	7mm Coolant hose, Genuine VW, per meter	443-121-107/A	meter	£19.96
	Water hose to heater matrix. 2 required	171-820-371/B	each	£19.50
	Hose, bulkhead to heater matrix	171-820-371/B	each	£19.50
	Hose, water/matrix, 1.1-1.3	171-121-088/D	each	£14.00



METAL WATER PIPES



Waterpipe			
1100cc	036-121-065/F	each	NLA
1 1500-1600cc inc GTI -7/82	055-121-065/M	each	£24.50
2 1600-1800cc carb 8/82-1800cc GTI 8/83-	027-121-065	each	£42.50
1800cc GTI 8/83-	055-121-065/M	each	£24.50
1800cc GTI (JH code only)	027-121-065/A	each	NLA

HOSE CLIPS AND FITTINGS



Screw type			
1 12-22mm	N01-640-11	each	£1.80
16-27mm	N01-640-21	each	£1.50
2 20-32mm	N01-640-31	each	£1.80
23-35mm	N10-258-101	each	£2.90
3 25-40mm	N01-640-41	each	£1.80
30-45mm	N01-641-01	each	£2.26
4 Connecting pipe, 15mm Diameter	171-121-140/D	each	£3.30

**UPGRADES & CUSTOM PARTS**

SAMCO HOSES



We stock other Samco colours, please call.

	Blue		Black		Clips	
1 1600cc Coolant	WC121TCS35/C	each	WC121TCS35/C/BLK	each	WC121CK35/C	each
1 1800cc Coolant	WC121TCS36/C	each	WC121TCS36/C/BLK	each	WC121CK36/C	each
2 1600-1800cc Ancillary	WC121TCS5/C-A	each	WC121TCS5/C-A/BLK	each	WC121CK35/C-A	each





**UPGRADES  
& CUSTOM PARTS**

**WEBER REPLACEMENT  
CARB KITS**



	<b>1100cc</b> , 74-79, 4 stud, replaces Solex 31 PIC	WC12915290994	each	<b>NLA</b>
1	<b>1100cc</b> , 79-84, 2 stud, replaces Solex PICT	WC12915290991	each	<b>NCA</b>
	<b>1300cc</b> , 80-84, replaces Solex 34 PIC	WC12915290992	each	<b>NLA</b>
	<b>1300cc</b> , 83-90, replaces Pierburg 2E3	WC12918870975	each	<b>£299.95</b>
2	<b>1500cc</b> , 77-80, replaces Solex PICT	WC12915290993	each	<b>£184.00</b>
	<b>1500cc</b> , 79-84, replaces Pierburg 2B3	WC12915310802	each	<b>NLA</b>
	<b>1600cc</b> , 83-91, replaces Pierburg 2E2	WC12922670916	each	<b>£318.00</b>
3	<b>1800cc</b> , 83-91, replaces Pierburg 2E2	WC1292267092	each	<b>£318.00</b>

**CARB REBUILD KITS**



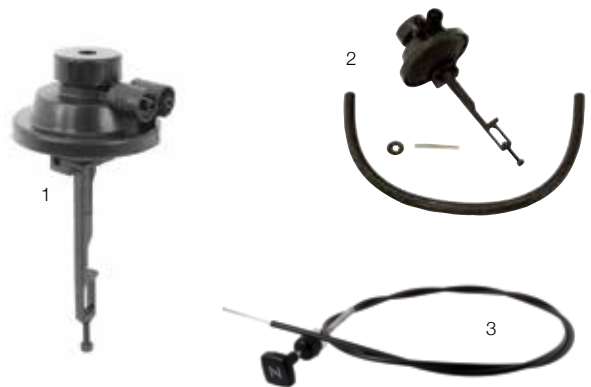
	<b>Solex carb rebuild kit</b>	036-198-569/S	each	<b>£26.90</b>
1	<b>Pierburg carb rebuild kit</b>	049-198-571/S	each	<b>£38.50</b>

**STANDARD CARB FLANGES**



	<b>1000-1300cc</b> , 8/83-7/85	052-129-765/B	each	<b>NLA</b>
1	<b>1100-1300cc</b> , 8/79-12/83	052-129-765/A	each	<b>£14.50</b>
2	<b>1300cc</b> , 8/83-10/91	052-129-765/E	each	<b>£19.60</b>
3	<b>1500-1600cc</b> , 74-80	055-129-761/C	each	<b>£20.00</b>
4	<b>1600cc</b> , >4/78, Ch. No.>028-657	055-129-761/B	each	<b>£24.50</b>
5	<b>1600cc</b> , 4/78-12/83, Ch. No.>028-657>	049-129-761	each	<b>£20.00</b>
6	<b>1600-1800cc</b> , 8/83>	026-129-761/A	each	<b>£12.00</b>

**CHOKE SPARES AND CABLES**



	<b>Choke pull down unit</b>			
	<b>1600cc</b> , Engine codes: EW, EZ >9/84	026-129-220	each	<b>£10.50</b>
1	<b>1600-1800cc</b> , Engine codes: EZ 10/84>, RF, ABN	030-129-220/A	each	<b>£10.30</b>
2	<b>Replacement choke cable</b> for Weber carb	WC129WCC	each	<b>£18.30</b>
3	<b>Cold starting aid cable</b>	171-711-501/B	each	<b>£50.00</b>

# vwheritage **OEM PLUS**

We are proud to offer our new range of OEM Plus products for the Mk1 Golf, Jetta, Caddy and Scirocco models. Manufactured in partnership with some big names in the performance tuning industry we are confident these parts will be just to your taste and requirements.



Engineered for optimum performance and driving experience without compromising the original design of your classic VW.

## Coilover Kits

### OEM+ Coilover Kits

Exclusively engineered by German suspension gods KW, these factory black bodied, black spring coilovers offer full height adjustment while relying on expert pre set damping to ensure maximum comfort.



Prices from - £699.95



## Bush Kits

### Polybush Bush Kits

We have an exclusive partnership with British bushing gurus Polybush. These bushings, produced in the darkest of grey material, won't spoil the original look of your classic VW, will give you an improved driver feel, and last a lot longer than original rubber bushings too.



Prices from - £14.95



## Suspension Kits

### Spring & Shock Kits

Produced by KW Germany, as part of their ST range, we have taken their popular suspension kits and produced them with factory black springs, to compliment better the classic lines of your VW.



Prices from - £385.00



## Anti Roll Bars

### Anti Roll Bar Kits

Finish off your OEM plus suspension overhaul with Weitec's anti roll bar kits, finished in our signature factory black.



Prices from - £295.00





## THROTTLE



1	<b>Throttle valve to inlet manifold gasket, K-Jet</b>	049-133-073/B	each	<b>£3.20</b>
2	<b>O-Ring, fuel valve &amp; air flow meter</b>	049-133-485/A	each	<b>£2.00</b>
3	<b>Throttle body fuel / air adjustment screw</b>	067-133-432/A	each	<b>£14.00</b>

## WAX STATS



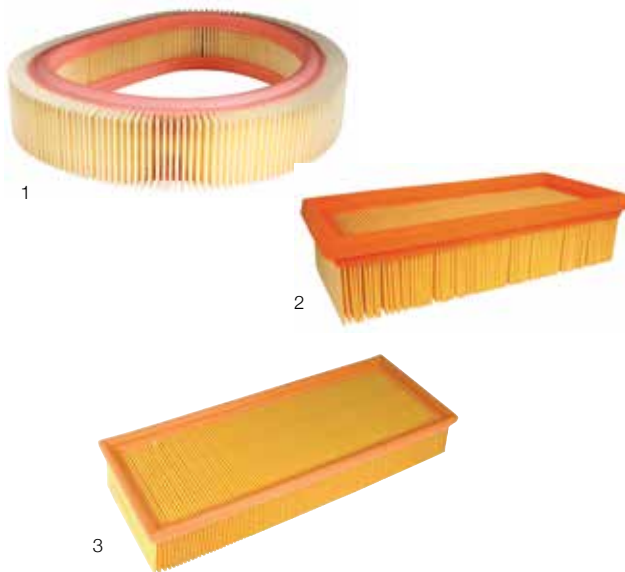
<b>1600-1800cc</b> , For use with all 2E2 Pierburg Carb	026-129-243/C	each	<b>£80.00</b>
---	---------------	------	---------------

## AIRBOX MOUNTS/ SPARES



1	<b>Mount, 1500-1800cc, 8/75-10/91, exc. Gti</b>	443-121-273/E	each	<b>£4.40</b>
	<b>Gasket, airbox to fuel metering head, GTI K-Jet</b>	049-133-379/A	each	<b>£9.50</b>
	<b>Valve for airbox, 1600-1800cc carb</b>	035-129-630/B	each	<b>£51.35</b>
	<b>Bung, air intake blanking grommet, Genuine VW</b>	067-133-847	each	<b>£1.70</b>

## STANDARD AIR FILTERS



	<b>1100cc &gt;5/75</b>	113-129-620/ /	each	<b>£6.50</b>
1	<b>1100-1300cc, 5/75-12/83</b>	052-129-620	each	<b>£6.50</b>
	<b>1300, 8/83&gt;</b>	056-129-620	each	<b>£8.05</b>
	<b>1500cc, &gt;7/75</b>	113-129-620/ /	each	<b>£6.50</b>
2	<b>1500-1800cc, Carb 8/77&gt;</b>	055-129-620/A	each	<b>£6.50</b>
	<b>1600-1800 GLI/ GTI, &gt;12/83</b>	049-133-843	each	<b>£9.00</b>
3	<b>Diesel, &gt;7/81</b>	113-129-620/ /	each	<b>£6.50</b>
	<b>Diesel inc. TF, 8/81&gt;</b>	069-129-620	each	<b>£8.00</b>



**UPGRADES & CUSTOM PARTS**

**K&N FILTERS  
PANEL FILTERS**



1	1100/1300cc, (round 229mm dia.)	WC129KNE-2585	each	£36.50
2	1100/1300cc, (rectangular)	WC129KN33-2001	each	£42.00
3	1600/1800ccm, Carb models	WC129KN33-2092	each	£33.31
4	1600-1800cc GTI	WC129KN33-2002	each	£40.50

**UPGRADES & CUSTOM PARTS**

**PIPERCROSS FILTERS  
PANEL FILTERS**



1	1100/1300cc, round	WC129PX1224	each	£30.50
2	1100cc, 1500cc, D/TD	WC129PP38	each	£30.50
	1500-1800cc Carb, oblong type	WC129PP1217	each	£30.50
	1600-1800 GTI, >8/83 inc. Cabrio Gti >93, oblong type	WC129PP1359	each	£30.50

**UPGRADES & CUSTOM PARTS**

**PIPERCROSS FILTERS  
INDUCTION KITS**



1	1600-1800cc GTI	WC129PK051C	each	£81.50
2	1800cc 16v	WC129PK056C	each	£81.50
	1800cc G60	WC129PK061B	each	£73.50

**UPGRADES & CUSTOM PARTS**

**K&N FILTERS  
BOLT ON FILTERS**



1	1100/1300/1500/1600cc, Solex PIC/PICT Carb	WC129KNRA-071V	each	£52.50
2	1500/1600cc, Solex Zenith 2B carb	WC129KN56-9049	each	£80.00
3	1300/1600/1800cc, Pierburg 2E3 carb	WC129KN56-9159	each	£90.00

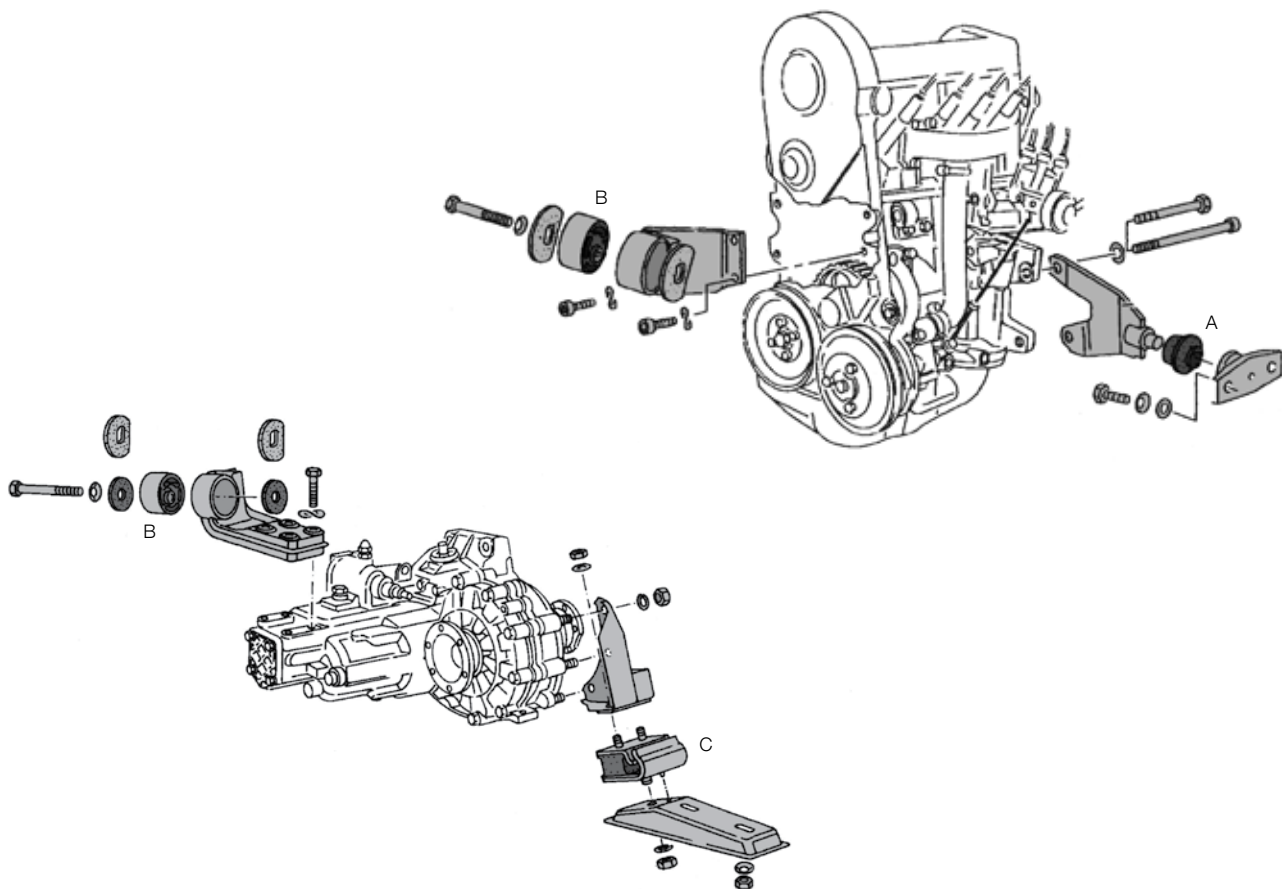
**UPGRADES & CUSTOM PARTS**

**CLEANING KITS**



1	K&N filter cleaning kit	WC129KN995000	each	£14.00
2	Pipercross filter cleaning kit	WC129PKC9000	each	£12.10





Please call to check for availability of bolts, washers and nuts for engine and gearbox mounts.

## FRONT ENGINE MOUNT - A



All models 171-199-339 each £4.00

## REAR GEARBOX MOUNT - C



<b>Petrol models</b>	171-399-151/A	each	<b>£8.50</b>
<b>Diesel models</b>	171-399-151/B	each	<b>£15.00</b>

## RIGHT ENGINE MOUNT / FRONT GEARBOX MOUNT - B

This mount is used for both applications, please check measurements.



1	60.4mm	171-199-214	each	<b>£12.50</b>
	64.4mm	171-199-214/D	each	<b>£12.50</b>
2	74.6mm	171-199-214/G	each	<b>£14.00</b>

## EXHAUST MOUNTS



1	4-Way type	191-253-147/B	each	<b>£1.50</b>
2	Round type	893-253-147/F	each	<b>£1.10</b>



**UPGRADES & CUSTOM PARTS**

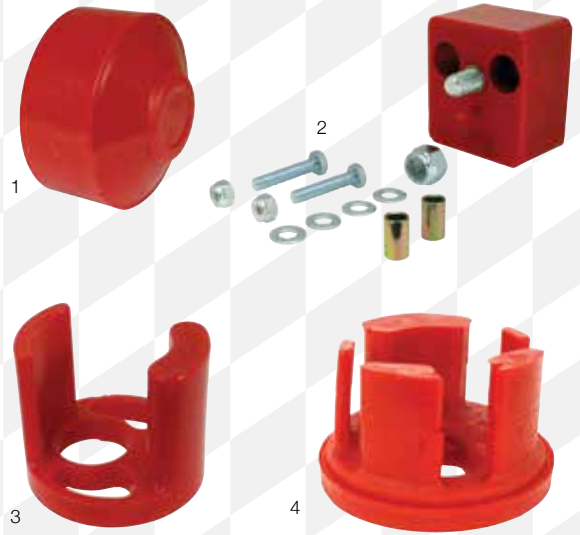
**CONVERSION MOUNTS**



1	<b>Engine mounting, Mk1 Golf/Scirocco with a 1.8 20VT</b>	WC199389	each	<b>£46.20</b>
2	<b>Reinforced engine mounting, Mk1 Golf with VR6/1.8T/R32</b>	WC199592	each	<b>£55.50</b>
3	<b>Conversion mount kit, Mk1 Golf/Caddy 02J G/box conversion</b>	WC199612	each	<b>£310.00</b>
	<b>Conversion mount kit, Mk1 Golf/Caddy 02A gearbox conversion</b>	WC199613	each	<b>£310.00</b>

**UPGRADES & CUSTOM PARTS**

**PROTHANE UPRATED MOUNTS**



1	<b>Front, Prothane</b>	WC19922-501	each	<b>£15.95</b>
2	<b>Rear, Prothane</b>	WC19922-502	each	<b>£26.95</b>
3	<b>Side insert, 76-79, 64.4mm, Prothane</b>	WC19922-504	each	<b>£9.95</b>
4	<b>Side insert, 80-84, 74.6mm, Prothane</b>	WC19922-505	each	<b>£8.95</b>



# FUEL

Not getting fuel to the engine?  
Carb models have a mechanical pump  
on the engine. Injection models have an  
external pump by the tank. ....

When was your fuel filter  
last changed? It can make a huge difference!



Have you checked your fuel pipes recently?  
Ethanol in modern petrol can eat away at the  
rubber causing leaks and running problems,  
or even fires! Make sure your pipes are 'E10 safe'.

Please call to check availability of fuel  
hoses for diesel and injection models.  
All our fuel hoses are suitable for  
E10 fuel.

## MECHANICAL



1	<b>Fuel pump</b> , >1300cc carb, 74-87	052-127-025/B	each	<b>£16.50</b>
1	<b>Fuel pump</b> , 1500-1800cc carb, 74-92	026-127-025/A	each	<b>£22.50</b>
	<b>Fuel pump gasket</b> , >1300cc 74-86	052-127-311	each	<b>£3.00</b>
2	1500-1800cc	049-127-311	each	<b>£0.80</b>

## FUEL INJECTION MODELS



Some Fuel pipes are available for injection models, please call with your requirements and we can check price and availability for you.

1	<b>Fuel pump</b> , 1600-1800cc GTI 8/76-	171-906-091/A	each	<b>£65.00</b>
	<b>Fuel pressure accumulator</b>			
2	1600cc 8/79-1800cc	431-133-441/C	each	<b>£169.00</b>
	<b>Sound absorber</b> for electric fuel pumps 8/76-	155-201-769	each	<b>NCA</b>
3	<b>Fuel accumulator bracket</b> , 79-83	171-201-515	each	<b>£80.50</b>

## FUEL INJECTOR LINE KIT



Replace your often corroded injector lines. Fuel injector 7 line kit for vehicles fitted with a GTI 8V engine. Supplied with non corrosive Stainless steel fittings, Braided Line with a clear coating for that OEM look. Please check injector size M10 x1 / M12 x1.5, our kits have M10 sizes.

<b>Fuel injector line kit</b> for GTI 8V	WC133VINJ8VG1	kit	<b>£119.00</b>
--	---------------	-----	----------------

**UPGRADES  
& CUSTOM PARTS**

## ELECTRIC FUEL PUMPS



1	<b>Facet electric pump</b> , including fittings	AC127200	each	<b>£44.95</b>
	<b>Rubber mounts</b> for facet pump	AC1159259	each	<b>£3.50</b>

## INJECTORS



Please use this list as a guide, and check what size injectors, and how many seals and inserts you have fitted on your engine to avoid complications.

1	<b>Injector &gt;7/84</b>	049-133-551/A	each	<b>£54.00</b>
	<b>Seal</b> for above	034-133-557/E	each	<b>£1.00</b>
	<b>Insert</b> for above, 1600ccc, 1800cc >7/82	063-133-555	each	<b>£3.00</b>
	1800cc 8/82-	063-133-555/A	each	<b>£9.50</b>
2	<b>Injector</b> , Cabriolet / Caddy	026-133-551	each	<b>£97.90</b>
	<b>Seal, upper</b>	035-133-557/A	each	<b>£1.00</b>
	<b>Insert, upper</b>	034-133-555/A	each	<b>£10.20</b>
	<b>Insert, lower</b>	035-133-554	each	<b>£1.50</b>
	<b>Seal, lower</b>	035-133-557	each	<b>£1.00</b>
	<b>Injector</b> , cabriolet	035-133-551/F	each	<b>NLA</b>
3	<b>Seal</b> for above	034-133-557/E	each	<b>£1.00</b>
	<b>Secondary seal</b>	N01-384-43	each	<b>£0.50</b>
	<b>Injector</b> , Cabriolet, GTI 8v digifant injection	037-906-031/R	each	<b>£202.00</b>
4	<b>Seal set</b> (top and bottom)	030-198-031	each	<b>£5.10</b>
	<b>Insert</b>	037-133-555/A	each	<b>£5.10</b>
	<b>Seal set</b> for above, per injector	030-196-031	each	<b>NCA</b>

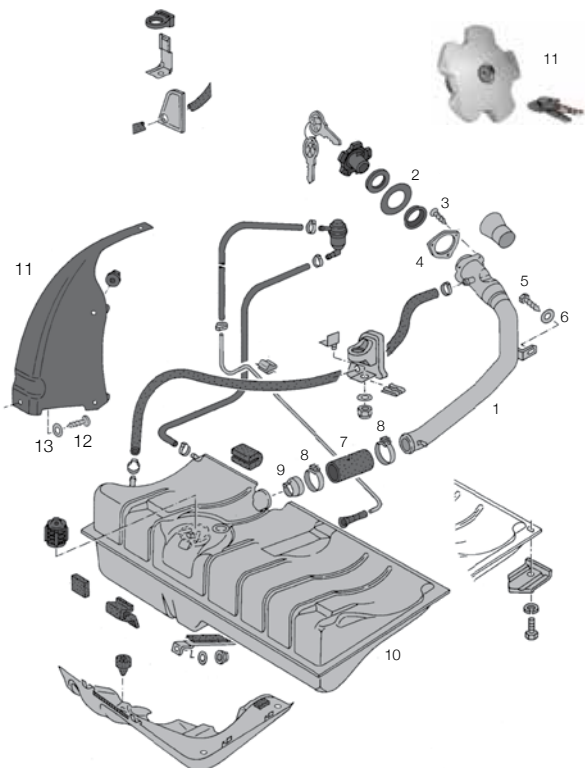
## FUEL HOSE / FUEL LINE



	<b>Rubber fuel hose</b>			
	5.5mm (for carb models)	N90-099-601/ /	each	<b>£3.00</b>
	7mm (for carb models)	N02-028-11	each	<b>£2.50</b>
	<b>Stainless steel, over-braided hose</b>			
	6mm (for carb models)	AC1278812	each	<b>£12.50</b>
1	8mm (for carb models)	AC1278800	each	<b>£14.50</b>
	<b>Fuel hose</b> , Goodridge, 5.5mm, cotton braided (for inj. models)	N90-099-601/BQ	per/ m	<b>£11.39</b>
	<b>Fuel hose</b> , Goodridge, 5.5mm, stainless braided (for inj. models)	AC1278812BQ	per/ m	<b>£16.79</b>
3	<b>Hose clips</b> , S. Steel	AC1279224	each	<b>£2.50</b>
	<b>Fuel line</b> , accumulator to main fuel line, all models (for inj. models)	171-201-218/C	each	<b>£39.00</b>
5	<b>Fuel line</b> , accumulator to pump (for inj. models)	171-201-220/D	each	<b>£49.00</b>



FUEL TANKS

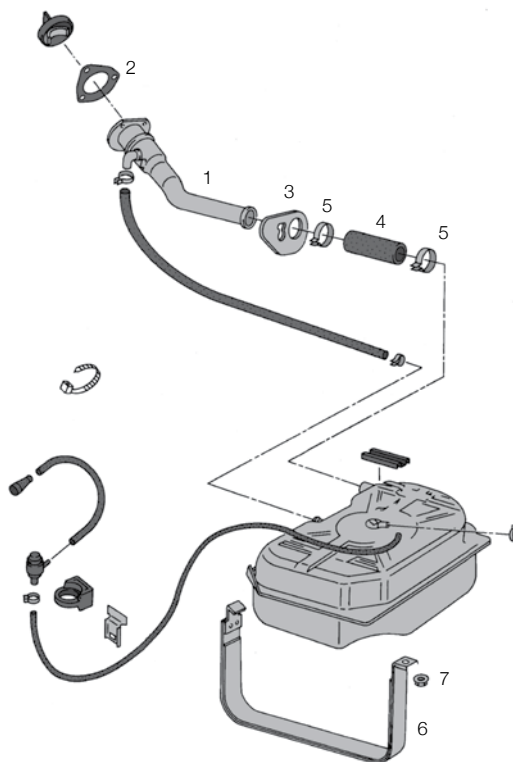


<b>Filler neck</b>			
1	Golf, Jetta	171-201-129/F	each £38.50
	Cabriolet 8/83-, may require longer hose	155-201-129/C	each £94.60
	Scirocco 8/83-	533-201-129/C	each £377.00
2	<b>Protective ring</b> , filler neck to body	171-201-681/D	each £8.50
3	<b>Screw</b> , filler neck top to body	N01-399-81	each £0.20
4	<b>Seal</b> filler neck top to body, carb models	171-201-119/F	each £9.00
	<b>Seal</b> filler neck to body, GTI models only	171-201-119/E	each £9.00
	<b>Seal / Support ring</b> for fuel filler neck	171-201-141	each £2.80
5	<b>Screw</b> filler neck to inner arch	N01-594-61	each £0.80
6	<b>Washer</b> for above	N01-166-615	each £0.30
7	<b>Hose</b> , filler neck to tank	N90-119-601	each £19.60
8	<b>Hose clip</b> for above, 2 req	N02-450-77	each £3.30
9	<b>Pipe insert</b> with flap,	171-201-285/A	each NCA
10	<b>Fuel tank</b>		
	Carb models	171-201-075/P	each £92.00
	Diesel / injection	171-201-075/Q	each £78.00
	Cabriolet / Scirocco 8/83-	155-201-075	each £109.60
	<b>Breather hose</b>		
	per metre (7mm x3mm wall)	N02-028-11	each £2.50
	per metre (13.5Mmx3mm)	N10-123-801	each £35.00
	<b>Hose clips</b> for above 12-22mm	N10-258-201	each £3.50
	<b>Gravity valve</b> ,		
	carb / diesel	161-201-753	each NLA
	Injection	161-201-753/A	each NLA
	<b>Fuel cap</b>		
	Standard non vented in black	155-201-551	each £17.20
11	Aluminium, OE style	WC201G102	each £91.00
	Carbon fibre	WC201G102CF	each £109.95

FUEL TANK FITTINGS

	<b>Fuel tank strap</b> kit	171-201-651/AP	kit £16.50
	<b>Securing nut</b> for above	N02-214-64	each £0.65
	<b>Washer</b> for above	N01-152-520	each £0.80
11	<b>Corner clamping plate</b> , 8/83-	533-201-633	each NLA
12	<b>Bolt</b> for above	N01-024-222	each £0.80
13	<b>Spring washer</b> for above	N01-203-87	each £0.60

CADDY FUEL TANKS



1	<b>Filler neck</b> , caddy	147-201-129/C	each £119.00
2	<b>Seal</b> , filler neck to body	175-201-119/A	each £2.40
3	<b>Grommet</b> , filler neck through chassis	147-201-119	each NLA
4	<b>Hose</b> , filler neck to tank	N90-196-01	each NLA
5	<b>Hose Clip</b> for above, 2 req	N02-450-44	each £1.50
6	<b>Fuel tank strap</b> , Caddy, 2 req	147-201-651/A	each £109.00
7	<b>Nut</b> for above	N01-100-830	each £0.50

DIESEL INJECTION

<b>Injector</b>			
	CK engine code >7/80	068-130-201/X	each £80.90
	CR/ JK code 8/80-	068-130-201/EX	each £97.30
	Turbo diesel CY code, 81-83	068-130-201/EX	each £97.30
	<b>Sealing washer</b> , injector to head, all years	068-130-219	each £1.20
<b>Diesel filter</b>			
	>7/89	068-127-177/B	each £8.00
	8/89>	1H0-127-401/C	each £11.45
	<b>Valve</b> for diesel pre heater	191-127-247/A	each £5.50

PETROL FUEL FILTERS



1	<b>1000-1800cc</b> , carb models, 74-93	251-201-511/G	each £2.75
	<b>GTI models</b>		
	>7/76	067-133-511	each NLA
	-7/83, Scirocco 16v	431-133-511/A	each £24.70
	<b>Cabriolet GTI</b>		
2	>7/83, Caddy-7/87	431-133-511/D	each £13.60
	8/83-, Caddy 8/87-	893-133-511	each £12.60
3	<b>Cabriolet 8/83-</b>	533-201-511/A	each £62.50
	<b>Cabriolet</b> , digifant injection	1H0-201-511/A	each £9.95





# EXHAUSTS

Got a Cabriolet or Scirocco? The exhaust mounts changed in 1983, check your chassis number if you are unsure which year yours was made.

Think long term - stainless steel exhausts are forever and will only add value to your car.



Want to release more power?  
A stainless steel 4 branch manifold will do just that.

## GOLF



1	<b>Front downpipe</b> MK1 / Golf / Jetta / Cabriolet 1.6-1.8	171-253-091/A	each	<b>£67.00</b>
	<b>Front pipe</b> 1100cc-1300CC MK1 Golf	861-253-101/AD	each	<b>£111.47</b>
	Mk1 1000cc >7/79	036-253-103	each	<b>£47.50</b>
	Mk1 1500-1800	171-253-091/E	each	<b>£45.50</b>
	Carb 1500cc >7/80 1600cc 8/75-7/77	055-253-091/N	each	<b>£136.00</b>
	GTI >7/83, Jetta, Scirocco	161-253-091/C	each	<b>£75.00</b>
	Diesel 8/79-12/83	161-253-091/A	each	<b>£53.10</b>
	<b>Front silencer</b> Mk1 GTI and Turbo diesel 3/82-12/83	171-253-209	each	<b>£54.50</b>
	GTI 1/84-7/87	191-253-209/B	each	<b>£30.00</b>
	<b>Intermediate pipe</b> Golf/Jetta 1100cc >1979	036-253-201	each	<b>£65.00</b>
2	1500-1600	055-253-201/C	each	<b>£20.00</b>
3	<b>Rear silencer</b> Golf Mk1/Scirocco 1100cc-1600cc carb & diesel	171-253-609/C	each	<b>£49.00</b>
	Golf/Scirocco GTI/GLI >7/82	171-253-609/A	each	<b>£64.00</b>

## SCIROCCO



	<b>Front downpipe</b> Golf Mk1 / Golf / Jetta / Cabriolet 1.6-1.8	171-253-091/A	each	<b>£67.00</b>
	GTI >7/83 & some J & S carb models	161-253-091/C	each	<b>£75.00</b>
	Golf Mk1 1500-1800	171-253-091/E	each	<b>£45.50</b>
	<b>Intermediate pipe, 1500-1600</b>	055-253-201/C	each	<b>£20.00</b>
	<b>Rear silencer</b> Golf Mk1/Scirocco 1100cc-1600cc Carb & Diesel	171-253-609/C	each	<b>£49.00</b>
	Golf Mk1/Scirocco GTI/GLI >7/82	171-253-609/A	each	<b>£64.00</b>

## CABRIOLET



1	<b>Front downpipe</b> Golf Mk1 / Jetta / Cabriolet 1.6-1.8	171-253-091/A	each	<b>£67.00</b>
	<b>Front pipe</b> Golf Mk1 1500-1800	171-253-091/E	each	<b>£45.50</b>
	GTI >7/83, Jetta, Scirocco	161-253-091/C	each	<b>£75.00</b>
	<b>Front silencer</b> Mk1 GTI and Turbo diesel 3/82-12/83	171-253-209	each	<b>£54.50</b>
2	<b>Rear silencer</b> GTI / GLI 8/82-12/83	171-253-609/L	each	<b>£59.00</b>
	Golf Mk1/Scirocco GTI/GLI >7/82	171-253-609/A	each	<b>£64.00</b>
	Golf Mk1/Scirocco 1100cc-1600cc carb & diesel	171-253-609/C	each	<b>£49.00</b>

## CADDY

	<b>Front pipe, mk1 1500-1800</b>	171-253-091/E	each	<b>£45.50</b>
	<b>Front exhaust silencer</b>	161-253-209	each	<b>£36.00</b>
	<b>Rear exhaust silencer</b>	147-253-609	each	<b>£72.00</b>

## JETTA



	<b>Front downpipe</b> Golf Mk1 / Jetta / Cabriolet 1.6-1.8	171-253-091/A	each	<b>£67.00</b>
	<b>Front pipe</b> Golf Mk1 1500-1800	171-253-091/E	each	<b>£45.50</b>
	GTI >7/83 & some J & S carb models	161-253-091/C	each	<b>£75.00</b>
	<b>Front silencer</b> GTI 1/84-7/87	191-253-209/B	each	<b>£30.00</b>
	Golf Mk1 / GTI and Turbo diesel 3/82-12/83	171-253-209	each	<b>£54.50</b>
	<b>Intermediate pipe</b> Golf Mk1/Jetta 1100cc >1979	036-253-201	each	<b>£65.00</b>
	Intermediate pipe, 1500-1600	055-253-201/C	each	<b>£20.00</b>
	<b>Rear silencer</b> Golf Mk1/Scirocco GTI/GLI >7/82	171-253-609/A	each	<b>£64.00</b>
	Golf Mk1/Scirocco 1100cc-1600cc carb & diesel	171-253-609/C	each	<b>£49.00</b>

EXHAUST MOUNTS, GASKETS, RUBBER'S



<b>Exhaust rubber</b>			
1	4 way type Round	191-253-147/B 893-253-147/F	each <b>£1.50</b> each <b>£1.10</b>
2	<b>Corrugated pipe</b> , 1100cc/1300cc 79-83	867-253-177	each <b>£26.60</b>
<b>Exhaust downpipe gasket</b>			
3	1100-1300 8/79-10/91	036-253-115/A	each <b>£4.60</b>
	Golf mk1 1.5-1.6 74-83	841-253-115/B	each <b>£1.99</b>
	1600-1800 golf gti	055-253-115/A	each <b>£5.50</b>
<b>Exhaust gasket</b> , all inline 4 cul eng, 1000cc> incl. Diesel			
		028-129-589/B	each <b>£0.95</b>
4	<b>Exhaust mounting kit</b> , 1.5 / 1.6 D / TD / GTI	161-298-115	each <b>£10.50</b>

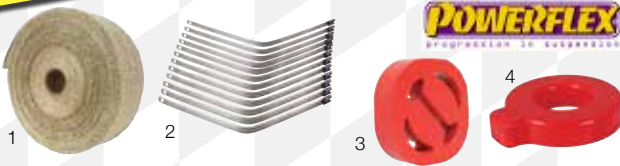
EXHAUST CLAMPS



1	49.5mm 54.5mm	165-253-139	each <b>£3.10</b> each <b>£3.00</b>
2	59.5mm	1H0-253-139/D	each <b>£3.00</b>
3	55-59mm stainless	WC253T400	each <b>£5.20</b>

UPGRADES & CUSTOM PARTS

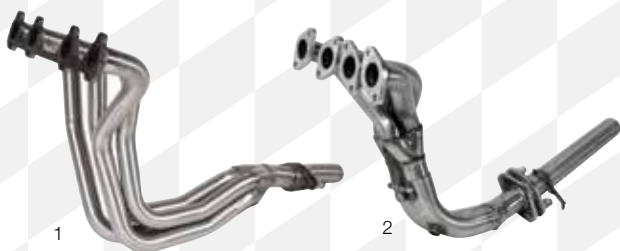
PERFORMANCE EXHAUST ACCESSORIES



<b>Thermotec wrap</b>			
	2" black 50'	AC251004	each <b>£70.67</b>
	1 Natural 50'	AC251001	each <b>£63.40</b>
1	2 Natural 50'	AC251003	each <b>£87.10</b>
2	<b>Thermotec snap strap kit</b> (12 x 9 straps)	AC251006	each <b>£51.60</b>
<b>Powerflex exhaust rubber</b>			
3	4 Way type, red OEM+ Polyurethane	WC253EXH006	each <b>£7.03</b>
4	Donut type, red OEM+ Polyurethane	WC253EXH007	each <b>£7.03</b>

UPGRADES & CUSTOM PARTS

PERFORMANCE EXHAUST MANIFOLDS



1	1800cc 8v model	WC251638	each <b>£370.00</b>
2	1800cc 16v conversions	WC251639	each <b>£348.10</b>

UPGRADES & CUSTOM PARTS

JETEX



<b>Exhaust system, Jetex,</b>			
1	Racing Mk1 Golf >83, Stainless	WC253JT29-H6R	each <b>£322.20</b>
2	Single round 80MM G1>83/Sci mk1	WC253J29-H	each <b>£216.85</b>
	Single oval 70/90MM,G1 >83/Sci Mk1	WC253J29-H5	each <b>£267.23</b>
3	80mm round,Golf Mk1 Cab/Sci Mk2	WC253J29-H2	each <b>£223.07</b>
<b>Twin Oval 70/90MM</b>			
	Cabriolet >88, Scirocco 84-92	WC253J29-H8	each <b>£298.33</b>

UPGRADES & CUSTOM PARTS

MILLTEK STAINLESS EXHAUST SYSTEM



Stainless steel OEM system manufactured by Milltek. Designed to enhance your Mk1 Golf GTI remaining true to the style of the original system. Built from 304 grade aircraft stainless steel and featuring 2.25" mandrel bent pipework, this performance exhaust system bolts to the original downpipe and comes with a connecting pipe, a centre silencer, an 'over axle' pipe and a rear silencer assembly including polished tip. This system is the resonated version, to keep noise levels down.

<b>Exhaust system</b> , stainless by Milltek	WC253MILG1	kit <b>£699.95</b>
--	------------	--------------------



# TRANSMISSION AND DRIVETRAIN

Don't forget your gearbox oil.  
When was it last changed?

Need CV joints? Measuring your  
old ones or providing a chassis number  
will ensure we can supply  
the right ones first time.



Need a clutch cable or pedal rubber?  
Look in the cables and controls section.

Not taken your old clutch out yet?  
Your full chassis and engine number  
will help us identify which one you need.

## STANDARD CLUTCH KITS



1



2



3

### Clutch kit

1	180mm Mk1 1.1-1.3 4/74-7/83 Mk2 1.0 11/83-	052-198-141/A	each	£78.50
2	190mm, Mk1 1.5/1.6 Incl Diesel/GTI/Sciroc	055-198-141/A	each	£76.50
	200mm, Mk1 1.6/1.8 Incl Diesel & some GTI	068-198-141/A	each	£89.50
3	210mm, Mk1/2 most 1.8 exc. 16v/G60/Rallye	027-198-141/A	each	£79.50
	<b>Clutch disc</b> , 200mm, Golf Mk1/Mk2 1.6D/TD	068-141-031/T	each	£28.50

## CLUTCH ALIGNMENT TOOLS



1



2

All models exc. 16v	WC0005378	each	£4.50
100/1100/1300cc models	AC000143	each	£3.95

## CLUTCH PUSHROD



1



2

1	4 speed models	020-141-741	each	£5.00
2	5 speed models, 342mm	020-141-741/B	each	£5.00

## UPGRADES & CUSTOM PARTS

### BLACK DIAMOND CLUTCH KITS



<b>Clutch kit</b> Black Diamond Mk1, 1.8 8/82-7/91 ex 16v/G60/Ra	WC141DPC8013	each	£154.61
---	--------------	------	---------



## MANUAL CLUTCH AND GEARBOX COMPONENTS



Inspection plug for gearbox			
1	1.5/1.6/1.8, inc GTI	020-301-132	each £2.50
2	1.1/1.3 4 speed	084-301-115	each £10.00
	1.6-1.8	020-301-129/B	each £8.50

Cover for clutch release bearing,			
3	5 speed manual	020-141-073/A	each £4.50
4	Clutch guide tube/sleeve, 1600-1800cc	020-141-181	each £4.00
	Release bearing, engine codes: FA, FJ, GF, GG	084-141-165/B	each £35.00
	Release bearing, 5 spd, 1600-1800	020-141-165/B	each £13.50
	Oil seal for shift rod, all manual models	020-301-227/C	each £7.50
5	Gearbox flange seal	020-301-189	each £1.50
6	Seal, gearbox, selection shaft, 40x8	020-311-113	each £20.00

## AUTOMATIC GEARBOX



1	Filter for automatic transmission fluid	010-325-421/A	each £6.95
2	Gasket for oil strainer	010-325-443	each £1.20
	Sump gasket	010-321-371/B	each £19.50
3	Seal / Gasket for bottom cover on auto g/box	010-409-597/A	each £18.50

## DRIVETRAIN MANUAL



Please measure or provide your chassis number so we can supply the correct CV boots/ Joints for your car.

1	Front wheel hub	175-407-615	each £17.50
2	Front wheel bearing kit	171-498-625/D	each £20.00
3	Front hub nut	171-407-643/A	each £1.50
4	Thrust washer for Front Hub Nut	171-407-277	each £2.10
<b>CV joint,</b>			
	Outer kit, 83mm Diameter. 50mm seal diameter	171-498-099	each £33.00
	Outer kit, with boot and grease	171-498-099/B	each £35.00
	Outer kit 81mm. GTI	191-498-099/F	each £23.70
5	92mm inner, MK1/MK2 1.0 - 1.3 74-10/9	171-498-103/D	each £30.00
	94mm inner MK1 1.5-1.8	171-498-103/C	each £35.00
<b>CV boot</b>			
6	Outer 81mm	171-498-203/S	each £8.50
	Inner 92mm	171-498-201/A	each £12.50
	Inner 94mm	191-498-201/D	each £8.00
	Inner left, Cabriolet only 100mm	1K0-498-201	each £20.50
	Inner right, Cabriolet only 100mm	191-498-202/A	each £13.00
7	Gearbox drive flange seal	020-301-189	each £1.50
8	Sealing bush on Gearbox	020-301-227/C	each £7.50



# STEERING AND SUSPENSION

Replacing your suspension - make sure you renew the top mounts at the same time.



After fitting new suspension or steering components get your tracking setup correctly or you'll be wearing tyres out before you know it!

Want to fit a new steering wheel - check to see if your car is large or small spline.

Check out our brand new range of OEM look, black polyurethane bushes.



**Front wishbone**  
171-407-153/DAS  
£49.50 each



**Cover cap**  
191-419-669/B  
£13.94 each



**OEM+ Polybush suspension bush kit**  
WC407G100  
£265.95

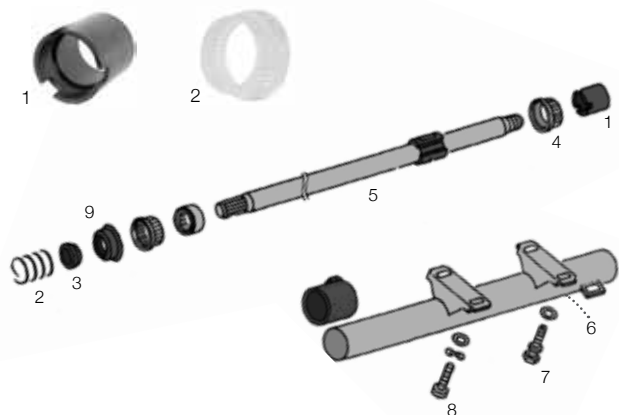


**Rear shock absorber gas filled**  
171-513-031/C  
£30.00 each



**Rear wheel bearing kit**  
311-498-017/B  
£11.26

## STEERING COLUMN



	<b>Washer</b> for above	N01-223-85	each	£1.20
1	<b>Spacer sleeve</b> on steering column	171-419-549	each	£5.50
2	<b>Pressure spring</b> - base of steering tube LHD RHD	171-419-343/A 481-419-343/B	each each	£3.50 £3.70
3	<b>Support ring for base of column</b>	171-419-539	each	£1.00
4	<b>Support ring for top of column</b>	171-419-341	each	£3.90
5	<b>Steering column, LHD</b>	171-419-503/A	each	NCA
6	<b>Steering column tube</b>	171-419-563/C	each	£56.60
	<b>Bolts</b>			
7	Upper	411-417-549	each	£5.00
8	Lower	n01-470-91	each	£1.20
9	<b>Ball bearing</b> , for beneath the above	171-419-517/B	each	£6.50

## ARB MOUNT KIT



**EXTRA VALUE KITS**

Anti roll bar bush and mounting kit. Kit includes inner and outer bushes and clamps with all new fixings, excluding the top inner clamp which is currently not available.

<b>Anti roll bar mounting kit</b>	171-498-333	kit	£38.00
-----------------------------------	-------------	-----	--------

## STEERING



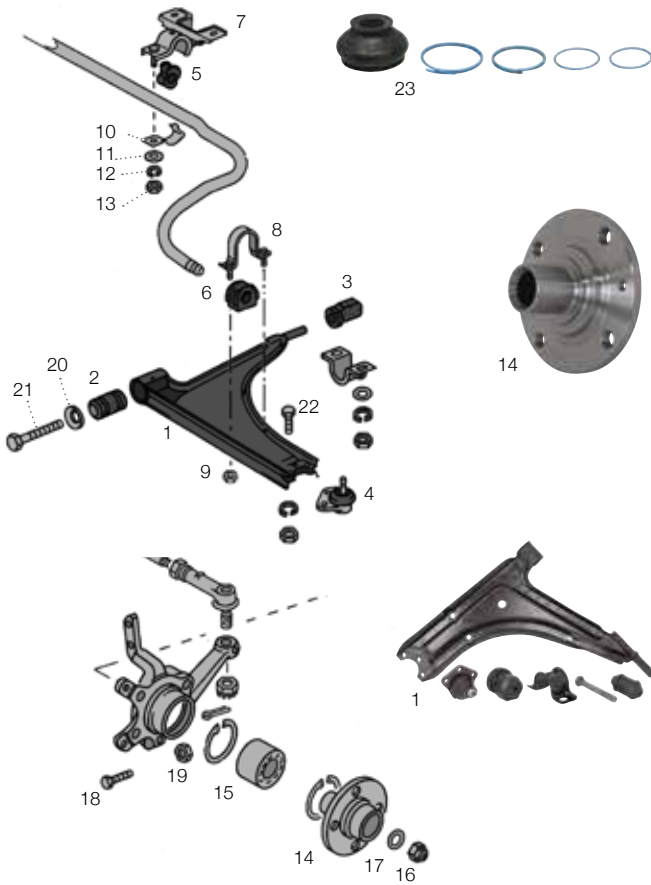
Steering rack			
1	LHD	171-419-063	each £64.50
2	RHD	172-419-063	each £60.00
Steering rack rubber mount,			
3	Left	171-419-883	each £3.50
4	Right	171-419-884	each £3.50
5	Clamp for above	171-419-875	each £8.95
6	Nut for above, M8	N02-214-64	each £0.65
7	Washer for above	N01-152-520	each £0.80
8	Tie rod, complete, left or right	171-419-804	each £14.00
<b>Replacement track rod end for above,</b>			
9	R/H Thread	251-419-811	each £13.50

Steering rack boot,			
10	Left	191-419-831	each £7.00
	Right, >1/87	171-419-832/C	each £5.50
11	Clip for steering boot	171-419-838	each £1.50
12	Steering shaft with universal joint, RHD only	172-419-951/B	each £252.00
13	Boot for steering column, LHD non PAS	171-419-523/A	each £22.50
14	Boot for steering column, RHD non PAS	172-419-523	each £33.00
Steering column shaft			
	Bearing, lower, steering column	171-419-517/B	each £6.50
	Replacement boot, tie rod end inc clips	191-419-810	each £2.10
15	Split pin	N01-253-31	each £0.50
16	Nut, for above	N90-321-302	each £2.49





## FRONT WISHBONES & ANTI-ROLL BAR



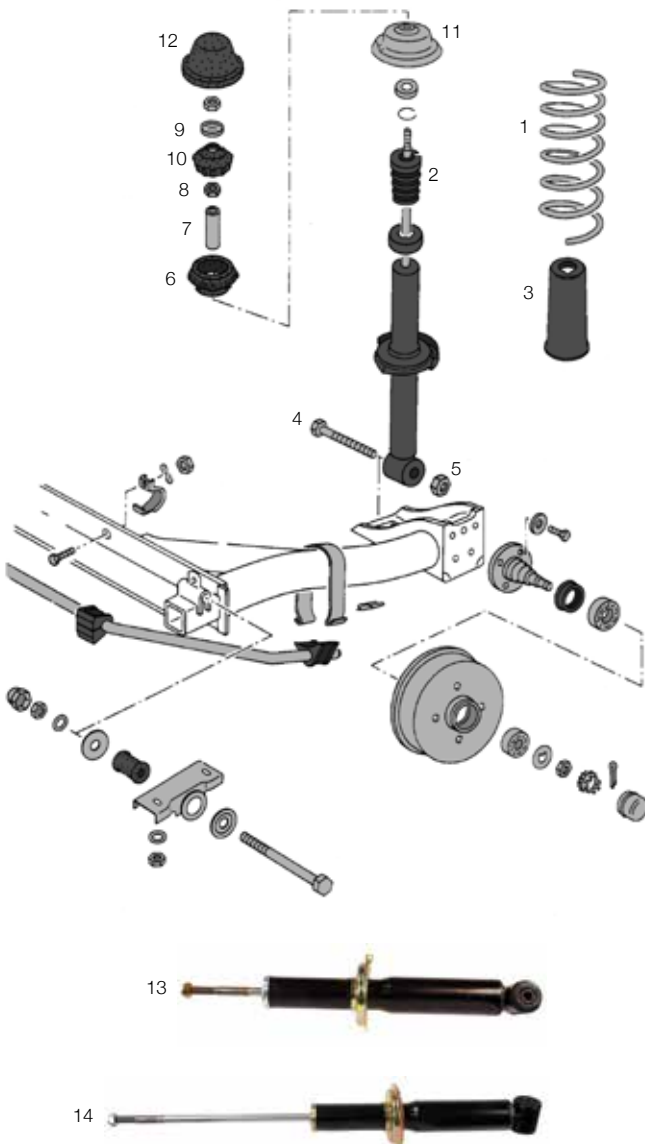
<b>1 Front wishbone</b> L or R, bare L or R, includes bushes and ball joints	171-407-153/D 171-407-153/DAS	each each	<b>£20.00</b> <b>£49.50</b>
<b>Wishbone bushes,</b>			
2 Front 32mm L or R	171-407-182/D	each	<b>£3.10</b>
3 Rear L or R	171-407-181/A	each	<b>£5.00</b>
<b>Front ball joint</b>			
4 L or R -17mm comes with hardware	171-407-365/FG	each	<b>£9.00</b>
<b>Front anti-roll bar bush</b>			
5 Inner	171-411-313	each	<b>£4.00</b>
6 Outer	171-411-314/A	each	<b>£4.00</b>
<b>Front anti-roll bar mount/clip</b>			
7 Inner	171-411-331	each	<b>NCA</b>
8 Outer	171-411-333/A	each	<b>£8.00</b>
9 <b>Front roll bar outer mount nut</b>	N02-214-64	each	<b>£0.65</b>
10 <b>Front roll bar inner mount clip</b>	171-411-337	each	<b>£4.50</b>
<b>Front roll bar inner mount</b>			
11 Washer	N01-152-520	each	<b>£0.80</b>
12 Spring ring	N01-203-87	each	<b>£0.60</b>
13 Hexagonal nut	N01-100-88	each	<b>£0.30</b>
14 <b>Front wheel hub</b>	175-407-615	each	<b>£17.50</b>
15 <b>Front wheel bearing kit</b>	171-498-625/D	each	<b>£20.00</b>
16 <b>Front hub nut</b>	171-407-643/A	each	<b>£1.50</b>
17 <b>Washer</b> (for above)	171-407-277	each	<b>£2.10</b>
18 <b>Bolt</b> , bottom of bearing housing	N03-477-84	each	<b>£5.00</b>
19 <b>Nut</b> (for above)	N02-119-55	each	<b>NCA</b>
20 <b>Washer</b> (for above)	171-407-239/A	each	<b>£1.80</b>
21 <b>Bolt</b> (for shock mount)	N01-019-04	each	<b>£4.20</b>
22 <b>Bolt</b> (for outer ARB clamp)	N04-020-43	each	<b>£1.50</b>
23 <b>Boot ball joint inc clips</b>	357-407-375	each	<b>£2.60</b>

## FRONT SUSPENSION



1 <b>Top mount</b>	171-412-329/A	each	<b>£15.00</b>
2 <b>Suspension strut top cover</b>	171-412-359/01C	each	<b>£3.50</b>
3 <b>Top mount kit</b> , (mount, bump stop, protective cap)	171-498-329/A	each	<b>£17.00</b>
4 <b>Bumpstop</b> , front all MK1	357-412-303/E	each	<b>£5.95</b>
5 <b>Protective boot</b> , dust cover	171-412-135	each	<b>£2.75</b>
6 <b>Spring cap</b> 80>	171-412-341/A	each	<b>£18.00</b>
7 <b>Spring</b> , most models exc. GTI	171-411-105/G	each	<b>£33.00</b>
8 <b>Shock absorber insert</b> Meyle oil filled Oil-Sachs/Boge	171-412-032/G 171-412-031//2	each each	<b>£40.00</b> <b>£35.00</b>
9 <b>Front strut bottom bolt</b> (1 req per side)	133-513-471	each	<b>£7.70</b>
10 <b>Front strut bottom nut</b> (1 req per side)	N01-113-51	each	<b>£1.80</b>
11 <b>Front strut eccentric bolt</b>	171-407-265	each	<b>£12.00</b>
12 <b>Front strut eccentric washer</b>	171-407-267	each	<b>£1.30</b>
13 <b>Tool</b> for removing the slotted McPherson strut nut	WC0002941	each	<b>£10.80</b>
14 <b>Nut</b> (as above)	N01-100-88	each	<b>£0.30</b>
15 <b>Washer</b> (as above)	N01-203-87	each	<b>£0.60</b>
16 <b>Washer</b> (as above)	311-827-181	each	<b>£2.80</b>

## REAR SUSPENSION - GOLF/SCIROCCO/JETTA



1	Rear spring	171-511-105/H	each	£33.00
2	Rear bump stop	171-512-131/B	each	£5.50
3	Rear shock dust covers (110mm)	171-513-425	each	£6.10
4	Lower shock absorber bolt m10x70	N01-047-07	each	£3.50
5	Nut for above	N10-209-005	each	£0.80
6	Lower top bushing for shock	171-512-333	each	£9.90
7	Spacer sleeve	171-512-117	each	NLA
8	Nut (15 on etka)	N01-101-15	each	£1.19
9	Support washer for top of shock	171-512-337	each	£3.00
10	Upper top bushing for shock	171-512-335	each	£8.30
11	Top cap/Upper spring seat	823-512-113	each	£15.00
12	Cover/cap for top of rear shock	171-512-135	each	£6.95
13	Rear shock absorber, oil filled	171-513-031/B	each	£30.90
14	Rear shock absorber, gas filled	171-513-031/C	each	£30.00
	Rear axle beam	171-500-051/C	each	£355.00

## REAR STUB AXLE



1	Stub axle, drum brake models, left or right	357-501-117	each	£18.50
	Bolt for stub axle	N90-369-801	each	£3.90
	Washer for above	321-501-119/A	each	£0.70
2	Rear wheel bearing kit, all models	311-498-017/B	each	£11.26

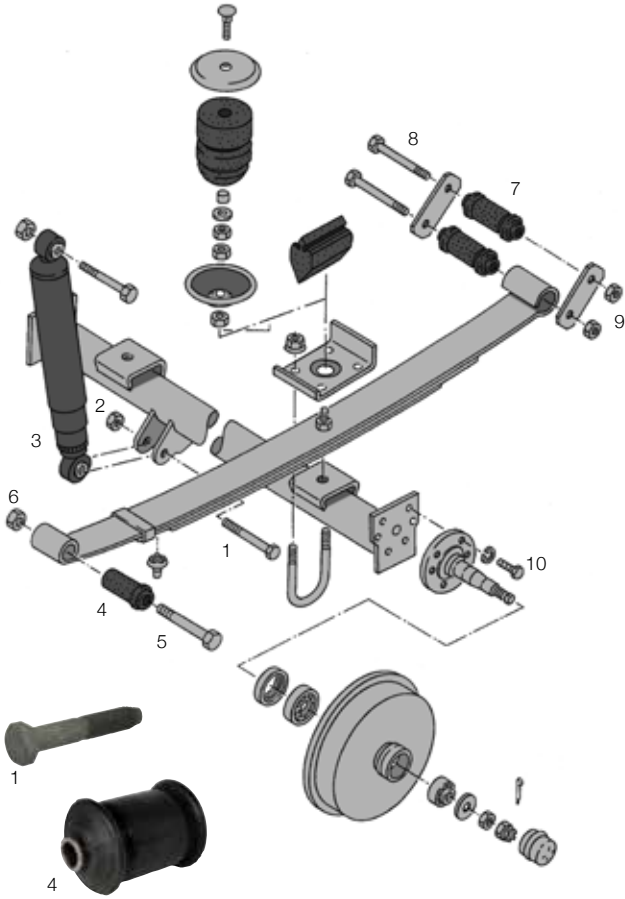
## REAR AXLE



<b>Rear axle bush Golf</b>				
All models	171-501-537/B	each	£15.00	
<b>Pivot bolt</b> for rear axle M12x1.5x148	N04-015-73	each	£8.60	
<b>Nut</b> for above M12	N02-214-14	each	£1.10	
<b>Rear axle to chassis bolt</b> (3 per side)	N10-141-701	each	£2.30	
<b>Rear anti-roll bar inner bush</b>				
18mm	161-511-413	each	£4.00	
20.5mm	171-511-413	each	£7.50	
<b>Rear anti-roll bar outer bush</b>				
18mm	161-511-437	each	£4.00	
20.5mm	171-511-437	each	£12.00	
<b>Rear hub nut</b>				
	N01-116-71	each	£3.00	
<b>Rear anti-roll bar inner clamp</b>				
	171-511-417	each	NCA	
<b>Bolt</b> for above	N01-024-041	each	£0.70	
<b>Washer</b> for above	N01-224-110	each	£0.40	
<b>Nut</b> for above	N01-100-88	each	£0.30	
<b>Rear anti-roll bar outer clamp</b>				
	171-511-433	each	£15.00	
4	<b>Clip</b> for above	171-511-453	each	£4.25
5	<b>Bolt</b> , rear ARB inner clamp	N01-024-041	each	£0.70



## REAR SUSPENSION - CADDY



1	Rear shock bolt caddy	179-599-503	each	£8.60
2	Nut for above	N01-113-37	each	£0.70
3	Rear shock absorber	147-513-031/A	each	£36.00
4	Leaf spring rubber, front 86>	251-407-183	each	£8.50
5	Bolt for above 86>	N01-016-75	each	£6.99
6	Nut for above - all years	N01-102-07	each	£1.31
7	Leaf spring rubber - rear, 2 per side	251-407-183	each	£8.50
8	Bolt for above	N01-018-91	each	£6.90
9	Nut for above	N01-102-07	each	£1.31
	Bump stop	179-511-353	each	£20.10
	Nut for above	N02-214-14	each	£1.10
10	Bolt for above	N01-024-118	each	£1.49

### UPGRADES & CUSTOM PARTS

#### SHORTER REAR SHOCK ABSORBERS FOR CADDY



Note: when lowering the back of a Caddy you will need shorter shock absorbers. Use these Beetle shocks to do just that. You will need to source or machine a bush for the bolt holes to stop excess movement.

Bugpack, 245/375mm	AC413650720	each	£49.95
KYBGR2, 245/385mm	AC41344068	each	£45.95

### UPGRADES & CUSTOM PARTS

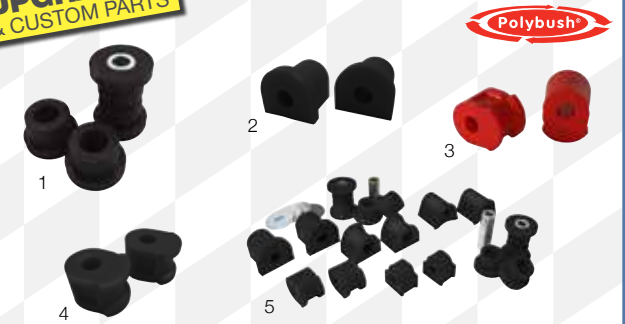
#### PROTHANE BUSHES



1	Front wishbone, front and rear bushes	WC4122-201	kit	£29.95
2	Steering rack bush kit	WC4122-701	kit	£11.95
3	Rear axle bush kit	WC4122-301	kit	£15.95
4	Rear shock absorber bushes	WC4122-901	kit	£19.96
	Complete Prothane bush kit, includes all of above	WC4122-2008	kit	£89.95

### UPGRADES & CUSTOM PARTS

#### POLYURETHANE BUSHES



1	Front bush, front wishbone	WC407G101	kit	£48.95
2	Rear bush, front wishbone	WC407G102	kit	£38.95
3	Inner bush, front ARB, 15mm	WC407G103-15	pair	£34.96
4	Inner bush, front ARB, 22mm	WC407G103	kit	£34.96
	Outer bush, front ARB	WC407G104	kit	£34.96
	Inner bush, rear ARB	WC407G105	kit	£25.96
	Outer bush, rear ARB	WC407G106	kit	£25.96
	Rear beam, mounting bush	WC407G107	kit	£59.94
	Steering rack bush, left - arched hole	WC407G109	kit	£14.95
	Steering rack bush, right - round hole	WC407G108	kit	£15.95
5	Suspension bush kit, (exc. steering rack bushes)	WC407G100	kit	£265.95



1	Steering rack mount bush, (round)	WC40785230	each	£13.80
2	Rear beam, mount bushes	WC50185220	pair	£52.54
3	Inner bush, rear ARB	WC50185225	pair	£27.60
	Outer bush, rear ARB, 18mm	WC50185226	pair	£27.60
	Inner bush, front ARB, 16mm	WC40785215	pair	£35.90
	Outer bush, front ARB	WC40785216	pair	£35.90
	Steering rack mount bush, (arch)	WC40785229	each	£13.80
4	Front bush, front wishbone	WC40785211	pair	£44.24
	Rear bush, front wishbone	WC40785213	pair	£44.24





# BRAKES

Fit stainless steel brake hoses for improved pedal feel and better performance. Our Goodridge kits come with a lifetime warranty.



Convert your 12mm disc model to vented discs simply by changing to the 239x20mm discs and pads to match - the calipers are the same.

Upgrade to drilled brake discs for better cooling, grooved for greater friction and an instant response. For the best of both worlds why not pick from the combi range.

We sell copper nickel brake pipe kits, they don't rust!



**Brake pipe set copper nickel**  
171-698-500  
£58.00 set



**16v 22.2mm Master cylinder**  
1H1-611-019/B  
£36.50 each



**Goodridge brake hoses**  
WC6980400-6P  
£114.95 set



**Brake shoes 180x30mm**  
191-698-051  
£16.60 each



**Brake cleaner 400ml spray**  
ML-014  
£4.96 each

## FRONT DISCS



1	<b>239 X 10mm solid</b>	811-615-301	each	<b>£14.00</b>
2	<b>239 X 12mm solid</b>	321-615-301	each	<b>£12.40</b>
3	<b>239 X 20mm, vented</b>	321-615-301/C	each	<b>£16.50</b>
	<b>Screw for securing disc to hub</b>	N10-648-301	each	<b>£0.30</b>

## BRAKE CALIPERS AND FITTINGS



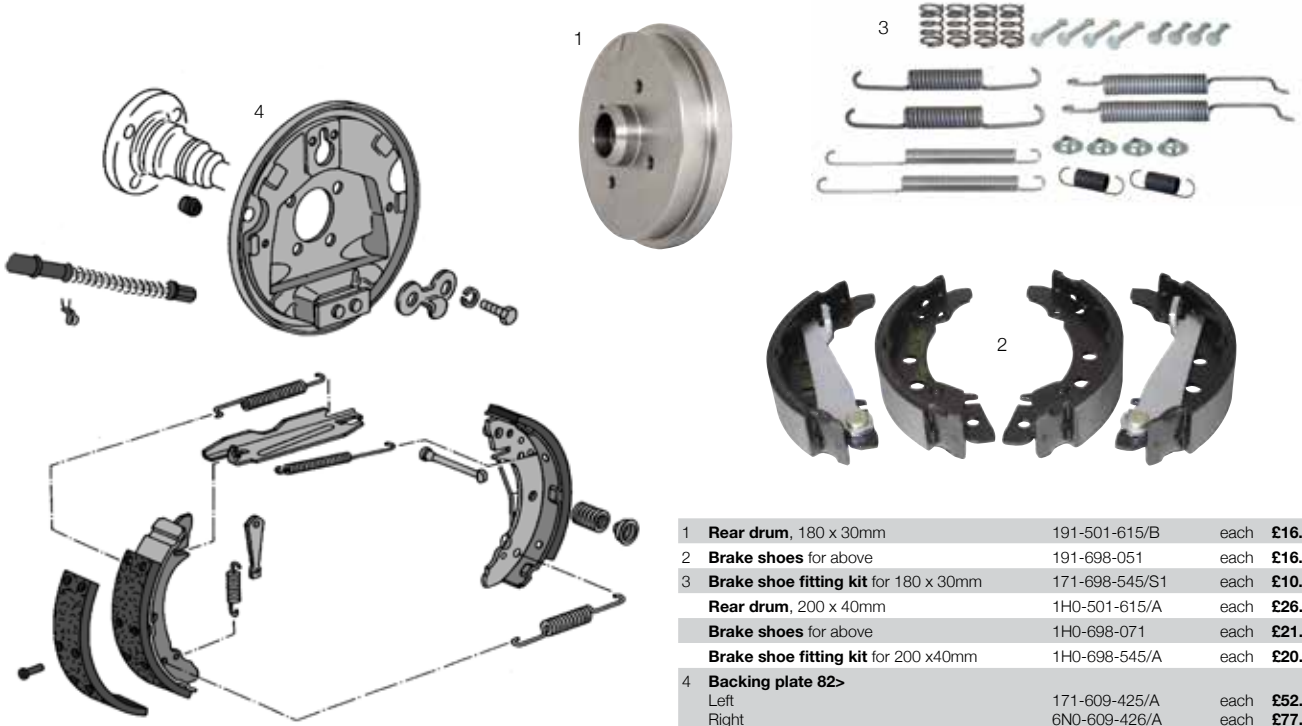
<b>Caliper for 239 x 10mm discs</b>			
1	Left - girling	171-615-107/D	each <b>£79.96</b>
	Right - girling	171-615-108/D	each <b>£80.00</b>
	<b>Bolt for above</b>	N90-068-902	each <b>£3.50</b>
<b>Rubber guide sleeves</b>			
2	for later mk1 Golf style calipers	171-698-447/A	each <b>£20.00</b>
<b>Caliper for 239 x 12mm and 239 x20mm discs</b>			
3	Left	1H0-615-123/A	each <b>£111.00</b>
	Right	1H0-615-124/A	each <b>£111.00</b>
	<b>Upper bolt for above (M8 x55mm)</b>	N04-475-53	each <b>£0.90</b>
	<b>Lower bolt for above (M8 x 45mm)</b>	N01-471-53	each <b>£0.80</b>
4	<b>Backing plate, L &amp; R</b>	171-615-311/GEN	each <b>£32.00</b>
	<b>Bolt for backing plate</b>	N90-529-301	each <b>£0.60</b>
	<b>Washer for above</b>	N01-536-91	each <b>£0.50</b>

## FRONT BRAKE PADS



1	<b>Pads for 239 x 10mm discs, 2 pin fitting</b>	861-698-151	each	<b>£10.94</b>
2	<b>2 pin brake pads</b> for all models apart from 1.8 GTI, 18.5mm	171-698-151/B	each	<b>£9.50</b>
	<b>Pads for 239 x 12mm discs</b>	191-698-151/J	each	<b>£15.00</b>
3	<b>Pads for 239 x 20mm discs, GTI</b>	191-698-151/G	each	<b>£22.50</b>

**REAR DRUM BRAKES AND SHOES**



1	<b>Rear drum, 180 x 30mm</b>	191-501-615/B	each	<b>£16.00</b>
2	<b>Brake shoes</b> for above	191-698-051	each	<b>£16.60</b>
3	<b>Brake shoe fitting kit</b> for 180 x 30mm	171-698-545/S1	each	<b>£10.00</b>
	<b>Rear drum, 200 x 40mm</b>	1H0-501-615/A	each	<b>£26.00</b>
	<b>Brake shoes</b> for above	1H0-698-071	each	<b>£21.00</b>
	<b>Brake shoe fitting kit</b> for 200 x 40mm	1H0-698-545/A	each	<b>£20.60</b>
4	<b>Backing plate 82&gt;</b>			
	Left	171-609-425/A	each	<b>£52.50</b>
	Right	6N0-609-426/A	each	<b>£77.30</b>
	<b>Rear brake drum kit</b>			
	Without rear pressure regulator	171-698-600	kit	<b>£65.00</b>
	With a rear pressure regulator	171-698-700	kit	<b>£65.00</b>

**UPGRADES & CUSTOM PARTS**

**REAR DISC BRAKE CONVERSION**



Rear disc conversion kit for Mk1 Golf, using Mk4 Golf calipers. Kit includes; Left and right Mk4 Golf rear calipers, brake pads, Goodridge conversion brake lines, rear discs, Mk2 Golf stub axles, Mk2 Golf caliper carriers, Scirocco handbrake cables, rear brake compensator, wheel bearing kits, left and right backing plates, bolts for backing plates and bolts for caliper carriers to hub.

<b>Rear brake disc conversion kit</b>	171-698-100	kit	<b>£541.00</b>
---------------------------------------	-------------	-----	----------------

We also offer these parts individually for converting your MK1 to rear disc brakes, using MK2 and MK4 Golf upgrade parts.

1	<b>Rear caliper, Golf Mk4 type</b>			
	left	1J0-615-423	each	<b>£124.00</b>
	right	1J0-615-424	each	<b>£124.00</b>
	<b>Brake pads</b> for above	1J0-698-451/J	each	<b>£16.00</b>
	<b>Goodridge conversion hoses</b> , stainless steel	WC6980506-2P	each	<b>£34.95</b>
2	<b>Rear discs</b> - Mk2 Golf	357-615-601	each	<b>£22.70</b>
3	<b>Back plates</b> - Mk2 GTI 88> spec			
	Left	191-615-611/D	each	<b>£29.94</b>
	Right	191-615-612	each	<b>£25.00</b>



4	<b>Mk2 Golf stub axles</b>			
	left	333-501-117	each	<b>£39.10</b>
	right	333-501-118	each	<b>£38.00</b>
	<b>Mk2 Golf caliper carrier</b> , 2 required	443-615-425/B	each	<b>£122.00</b>
5	<b>Handbrake cables</b> - 16v Scirocco, conversion	533-609-721	each	<b>£24.70</b>
6	<b>GTI rear compensator</b>	357-612-151	each	<b>£63.00</b>
	<b>Pressure regulator</b>	841-612-151	each	<b>£169.00</b>
	<b>Inner dust caps</b>	191-501-639/A	each	<b>£3.60</b>
	<b>Wheel bearing kit</b> (per side)	191-598-625	each	<b>£15.95</b>
	<b>Brake force regulator</b> 3/15 for rear disc conver.	WC698396	2/pc	<b>£149.99</b>





## REAR WHEEL CYLINDERS AND FITTINGS



<b>Wheel cylinder, rear</b>			
1	Most drum models (14.29mm)	171-611-051/B	each £7.00
2	Exc. 1.1/1.3 (17.46mm)	331-611-051/A	each £11.30
3	17.46mm, for models with rear pressure regulator	6N0-611-053	each £6.70
<b>Bolt for above</b>		N01-475-06	each £0.60
<b>Bleed nipple</b> for Cast iron cylinders, M6x1		113-611-475	each £2.30
for aluminium cylinders, M7x1		3A0-611-475	each £2.30
<b>Dust cover for above</b>		211-611-483	each £0.76

## MASTER CYLINDER AND FITTINGS



1	MK1 Golf, 79-83	171-611-019/E	each £30.00
	Cabriolet RHD 85->90-92	171-611-019/N	each NLA
		1H1-611-019/C	each £41.95
2	Mk2 16v/G60 - can be used as an upgrade 22.2mm	1H1-611-019/B	each £36.50
<b>Gasket, master cylinder to servo</b>		357-611-243	each £6.10
<b>Plug, master cylinder to reservoir</b>		211-611-817/A	each £6.00
<b>Boot</b>		171-611-195/A	each NLA
<b>Brake pressure regulator</b>		811-614-151	each £151.96

## HANDBRAKE



1	<b>Handbrake handle/lever</b>	171-711-305/B	each £59.70
2	<b>Cable</b> for models with rear drums	171-609-721/C	each £11.50
<b>Retainer</b> for above		321-609-763	each £2.40
<b>Washer</b> for above		321-501-119/A	each £0.70
<b>Bolt</b> for above		N90-369-801	each £3.90
<b>Hook</b> for cable		191-609-657	each £1.40

## BRAKE FLUID RESEVOIR



<b>Fluid reservoir</b>			
1	LHD	867-211-301/B	each NCA
	RHD	321-611-301/J	each £85.60
<b>Reservoir cap</b>			
2	for models with warning light	1H1-611-349	each £19.40
	warning light and level indicator, RHD, 43.5mm	443-611-349/A	each NLA
<b>Seal for reservoir cap</b>		893-611-347	each £5.10

## SERVO



1	<b>7" Servo</b> , Carb engines, diesel, RHD	172-612-107/B	each £293.90
<b>Nut</b>			
	M8	N01-100-88	each £0.30
	M10	N01-113-45	each £0.90
2	<b>Plug for servo</b> - LHD, K-Jet	861-612-175	each £6.10
3	<b>Vacuum pipe</b> with non-return valve, LHD	171-611-931/G	each £25.50
4	<b>Sticker</b> , ATE brake servo, 20x44mm	192-612-105/E	each £2.00

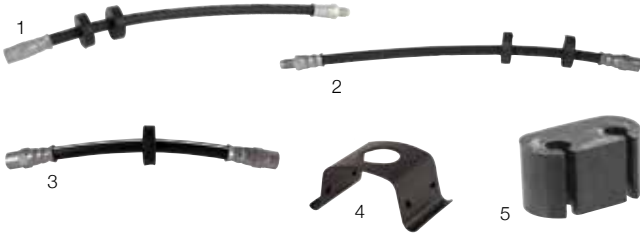
## BRAKE PRESSURE REGULATOR



1	<b>Regulator</b> , all models where fitted 82>84	841-612-151	each £169.00
<b>Regulator</b> , for Mk1 Golf rear disc conversion		WC698396	each £149.99
<b>Bolt for above</b> , M8x12		N01-023-714	each £0.50
<b>Washer</b> for above		N01-224-110	each £0.40



BRAKE HOSES



1	Front, all models exc 16v / G60, 335mm, R/H Thread	171-611-701/L	each	£9.50
2	Front, Girling, L/H Thread	171-611-701/K	each	£9.50
3	Rear brake hose, 180mm	433-611-775/A	each	£14.00
4	Retaining spring clip, brake hose to brake pipe 803-611-715		each	£2.80
5	Rubber protector sleeve	171-611-869	each	£0.50

BRAKE PIPE SETS



1	Brake pipe set, Mk1 golf 8/79-7/83. Without pressure regulator on rear axle. Copper nickel 6pcs	171-698-500	each	£58.00
	Retaining clip for brake pipe	803-611-715	each	£2.80

UPGRADES & CUSTOM PARTS BLACK DIAMOND PERFORMANCE DISCS AND PADS



<b>Front discs - Cross drilled</b>				
1	1.1 (8/78>), 1.3, 1.5 Diesel, 1.6 Diesel, 239mm	WC615KBD008/D	each	£81.80
	GTI 1.6, 1.8, 239mm	WC615KBD852/D	each	£102.00
<b>Front discs - grooved</b>				
	1.1 (8/78>), 1.3, 1.5 Diesel, 1.6 Diesel, 239mm	WC615KBD008/G	each	£68.50
2	GTI 1.6, 1.8, 239mm	WC615KBD852/G	each	£88.50
<b>Front discs - grooved and cross drilled</b>				
	1.1 (74-7/78), 1.5, 1.6, 1.8 (not Gti) 239mm	WC615KBD021/C	each	£78.50
	1.1 (8/78>), 1.3, 1.5 Diesel, 1.6 Diesel, 239mm	WC615KBD008/C	each	£87.50
	GTI 1.6, 1.8, 239mm	WC615KBD852/C	each	£102.00
<b>Front brake pads - Mk1 Golf, Mk1/2 Sci.</b>				
All models fitted with fixed calipers exc 1.5, 1.6 Carb				
		WC698PP018	each	£42.50
3	All models fitted with sliding calipers exc. 1.3	WC698PP098	each	£27.50
	1.3 with sliding calipers	WC698PP110	each	£40.00

UPGRADES & CUSTOM PARTS GOODRIDGE STAINLESS BRAKE HOSES



1	All models with rear drum brakes	WC6980400-4P	set	£74.95
2	Models with rear discs	WC6980400-6P	set	£114.95
	Mk4 golf rear caliper conversion hoses	WC6980506-2P	set	£34.95
3	Upgrade kit G60 front calipers with Mk4 Golf rear caliper.	WC6980517-4P	set	£114.95
	Caddy 83-92	WC6980300-4P	set	£74.95

UPGRADES & CUSTOM PARTS CALIPER CONVERSION BRACKETS



Upgrade your Mk1 Golf to 280mm brakes, with the use of these German engineered brake caliper conversion brackets. Once fitted they will allow "G60" brake carriers, calipers and discs to be fitted, improving your braking power and increasing driver safety. A necessary modification to accompany any performance engine conversion.

Conversion brackets, MK1 Golf with G60 brakes	WC698100	pair	£82.50
---	----------	------	--------



G60 caliper conversion brackets allowing you to fit Audi S2 brakes onto your Mk1 Golf, Supplied with fittings.

Conversion brackets, MK1 Golf with Audi S2 calipers	WC698533	pair	£88.50
---	----------	------	--------



# WHEELS

Think outside the box. PCD adaptors to allow fitment of Porsche, Audi and newer VW model wheels.



Fit radius wheel bolts on steel wheels and OEM alloys. Aftermarket wheels will use taper fit, get it wrong and your wheel could come loose!

Fitting spacers? Budget for longer wheel bolts.

A wise man once said "wheels maketh the car" he wasn't wrong.

**UPGRADES & CUSTOM PARTS**

**ATS WHEELS**

**ATS**  
Leichtmetallräder

1	Classic, 7x13", ET20	WC601A71320C	each	£164.80
	Classic, 8x13", ET0	WC601A81301C	each	£161.00
2	Centre cap for classic	WC601ACCLA	each	NLA
3	Cup, 7x15", ET20	WC601A71520CUP	each	£152.20
	Cup, 7x15", ET28	WC601A71528CUP	each	£167.00
	Centre cap for Cup	WC601ACCCUP	each	£20.40

**UPGRADES & CUSTOM PARTS**

**LENZO BSX WHEELS**

**LENZO**

**ADD "S" FOR SILVER, "BK" FOR BLACK, "G" FOR GOLD**

1	7x15" ET20	WC601L1520	each	£110.00
2	7x15" ET38	WC601L1538	each	£115.00
3	7x16" ET25	WC601L1620	each	£120.00
	7x16" ET38	WC601L1638	each	£120.00

**UPGRADES & CUSTOM PARTS**

**RONAL WHEELS**

**RONAL**

1	R10 Turbo, 7x15", ET28	WC601R71528T	each	£171.00
2	Center cap for R10 Turbo	WC601RCCR10	each	£16.60
3	LS, 7.5x15", ET25	WC601R71528LS	each	£155.00
	Centre cap for LS	WC601RCCLS	each	£34.40

**UPGRADES & CUSTOM PARTS**

**ROTA WHEELS**

**ROTA**  
Engineered for Performance

1	RBR, 8x16", ET10	WC601R006	each	£155.00
2	Zero Plus, 8x15", ET10	WC601R005	each	£132.50
3	RS4, 6.5x15, ET40	WC601R004	each	£137.50
4	Flashback, 7x15", ET40	WC601R003	each	£127.50
5	D154, 8x16", ET20	WC601R0011	each	£155.00
6	BM8, 8x15, ET10	WC601R0013	each	£137.50
7	Grid, 7x15", ET40	WC601R009B	each	£132.50
	Grid, 8x15", ET20	WC601R0010B	each	£132.50



**UPGRADES & CUSTOM PARTS**

**PORSCHE DESIGN 90**



1



2

- |   |  |                   |      |                |
|---|--|-------------------|------|----------------|
| 1 | <b>Porsche Design 90 - New old stock</b><br>6x16", ET51.3, 5/130pcd  | 8A0-601-025/Q/Z17 | each | <b>£179.00</b> |
| 2 | <b>Wheel and adapter kit</b> 4x wheels, 4x centre caps, 4/100 to 5/130 adaptors, wheel nuts and bolts (adaptors are 20mm wide) | WC698002          | kit  | <b>£599.00</b> |

**G60 STEEL**



1



2



3



4

- |   |   |               |      |               |
|---|---|---------------|------|---------------|
| 1 | <b>6x15" ET35</b>   | 357-601-025/M | each | <b>NCA</b>    |
|   | <b>6x14" ET45</b>   | 1H0-601-027   | each | <b>£30.26</b> |
| 2 | <b>Silver flush centre cap</b> , for 14 & 15"                 | 1H0-601-149/H | each | <b>£14.50</b> |
| 3 | <b>Black centre cap</b> , for 14 & 15"                        | 871-601-171   | each | <b>£7.99</b>  |
| 4 | <b>Black centre cap</b> , for 14 & 15" (built in bolt covers) | 1H0-601-171/C | each | <b>£8.50</b>  |

**UPGRADES & CUSTOM PARTS**

**WHITE WALL TYRE TRIMS**



- |  |          |     |               |
|--|----------|-----|---------------|
| <b>White wall tyre insert</b> , set of 4 |          |     |               |
| 13"                                      | AC698007 | set | <b>£57.60</b> |
| 14"                                      | AC698002 | set | <b>£51.56</b> |
| 15"                                      | AC698001 | set | <b>£57.50</b> |

**UPGRADES & CUSTOM PARTS**

**SSP WHEELS**



1



2



3



4



5

Use adaptors to fit - 4/100 - 5/130 See page 44.

- |   |  |            |      |                |
|---|--|------------|------|----------------|
| 1 | <b>Fooks</b> , 5.5x15", ET45, Polished 5/130 | AC601005P  | each | <b>£124.00</b> |
| 2 | 5.5x15", ET45, Chrome                        | AC601005C  | each | <b>£148.00</b> |
| 3 | <b>Fooks</b> , 7x17" ET40, 5/130 Chrome      | AC601024C  | each | <b>£240.00</b> |
|   | Polished                                     | AC601024P  | each | <b>£237.00</b> |
|   | Black / Polished                             | AC601024BP | each | <b>£173.00</b> |
| 4 | <b>Cosmics</b> , 5.5x15" ET25, 5/130         | AC601027BP | each | <b>£135.00</b> |
| 5 | <b>Gas Burner</b> , 5.5x15" ET45, 5/130      | AC601030BP | each | <b>£135.00</b> |

**UPGRADES & CUSTOM PARTS**

**WHITE BAND TYRE TRIMS**



- |  |          |     |               |
|--|----------|-----|---------------|
| <b>White band tyre insert</b> , set of 4 |          |     |               |
| 13"                                      | AC698008 | set | <b>£48.70</b> |
| 14"                                      | AC698004 | set | <b>£50.00</b> |
| 15"                                      | AC698003 | set | <b>£50.00</b> |

**UPGRADES & CUSTOM PARTS**

**RED BAND TYRE TRIMS**



- |  |          |     |               |
|--|----------|-----|---------------|
| <b>Red band tyre insert</b> , set of 4 |          |     |               |
| 13"                                    | AC698009 | set | <b>£50.90</b> |
| 14"                                    | AC698006 | set | <b>£55.90</b> |
| 15"                                    | AC698005 | set | <b>£55.90</b> |



**UPGRADES  
& CUSTOM PARTS**

## RETRO WHEEL ACCESSORIES



1	Salt flat discs, 15", require drilling to fit	AC601750	set	<b>£80.80</b>
<b>Valve caps</b>				
2	Iron cross, chrome	AC601VC001	set	<b>£6.50</b>
3	Anodised blue	AC601GE10B	set	<b>£8.50</b>
4	Anodised red	AC601GE10R	set	<b>£8.50</b>

## WHEEL BOLTS



Please call if you can't see the size you require or need advice.

### Radius bolts

	Standard, M12x1.5x23.5mm	3A0-601-139	each	<b>£4.50</b>
1	M12x1.5x26mm	AC601SB10R	each	<b>£1.70</b>
2	M12x1.5x35mm	AC601SB35R	each	<b>£3.00</b>
	M12x1.5x50mm	AC601SB16R	each	<b>£3.90</b>

### Tapered bolts

3	M12x1.5x26mm	AC601SB10.	each	<b>£1.70</b>
4	M12x1.5x35mm	AC601SB13	each	<b>£2.00</b>
	M12x1.5x50mm	AC601SB16	each	<b>£2.26</b>

### Radius locking bolts

	M12x1.5x24mm	AC601LB115	each	<b>£31.20</b>
5	M12x1.5x38mm	AC601LB118	each	<b>£31.20</b>

### Tapered locking bolts

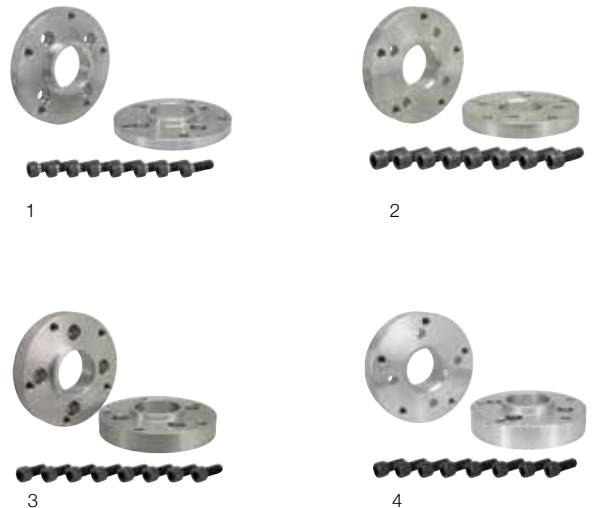
6	M12x1.5x22mm	AC601LB117	each	<b>£31.20</b>
	M12x1.5x48mm	AC601LB156	each	<b>£41.90</b>

## WHEEL SPACERS



1	<b>3mm</b>	WC601SP10	pair	<b>£25.70</b>
2	<b>5mm</b>	WC601SP11	pair	<b>£30.90</b>
3	<b>8mm</b> (use longer bolts)	WC601SP12	pair	<b>£36.10</b>
4	<b>10mm</b> (use longer bolts)	WC601SP13	pair	<b>£40.00</b>
5	<b>15mm</b> , hubcentric (use longer bolts)	WC601SP14	pair	<b>£77.30</b>
6	<b>20mm</b> , hubcentric (use longer bolts)	WC601SP15	pair	<b>£87.50</b>
	<b>25mm</b> , hubcentric (bolt on)	WC601SP16	pair	<b>£95.00</b>

## WHEEL ADAPTORS



<b>4x100- 5x130 57.1-76.1mm centrebore, supplied with allen bolts.</b>				
1	15mm, hubcentric	WC601AD10	each	<b>£77.30</b>
2	20mm, hubcentric	WC601AD11	each	<b>£82.40</b>
3	25mm, hubcentric	WC601AD12	each	<b>£85.00</b>
4	30mm, hubcentric	WC601AD13	each	<b>£92.70</b>

VW CLASSIC PARTS MERCHANDISE



Shoulder bags			
1	red and black, series one fabric	171-999-100/C	each £50.50
2	white and black, series one fabric	171-999-100/B	each £44.10
3	grey stripe, series two fabric	171-999-100/A	each £44.10
Keyrings - VW logo, blue enamel, double sided			
4	small	80.087.010	each £4.00
	large	80.087.010C	each £4.40
Magnetic parts bowl			
		80.902.233	each £9.50

5 Original classic parts t-shirts			
	small	111-999-003/SMALL	each £5.20
	medium	111-999-003/MEDIUM	each £5.20
	large	111-999-003/LARGE	each £5.20
	extra large	111-999-003/XLARGE	each £5.20
6	Keyring, Mr Bubble Head, Genuine VW	80.904.110	each £4.95
7	Keyring, Miss Bubble Head, Genuine VW	80.904.111	each £4.95
	Keyring, Mk1 Golf GTI tach/speedo	80.902.561	each £6.58
	Keyring, GTI grille	80.902.520	each £6.10
8	GTI porcelain mug	1K1-069-601	each £11.60





# CABLES AND CONTROLS

Choose LHD (left hand drive) or RHD (right hand drive) for the cable you require - UK spec cars are RHD.

Carrying a spare clutch and accelerator cable is never a bad idea - you might need it one day.

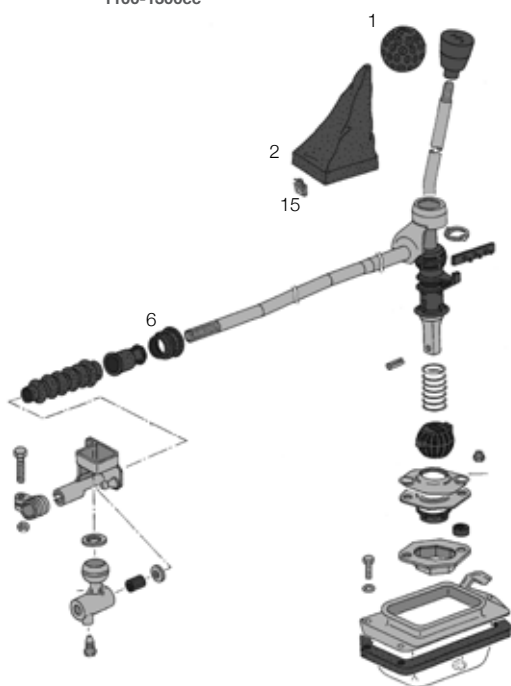


Your gear change problems could just be down to a broken or worn bush.

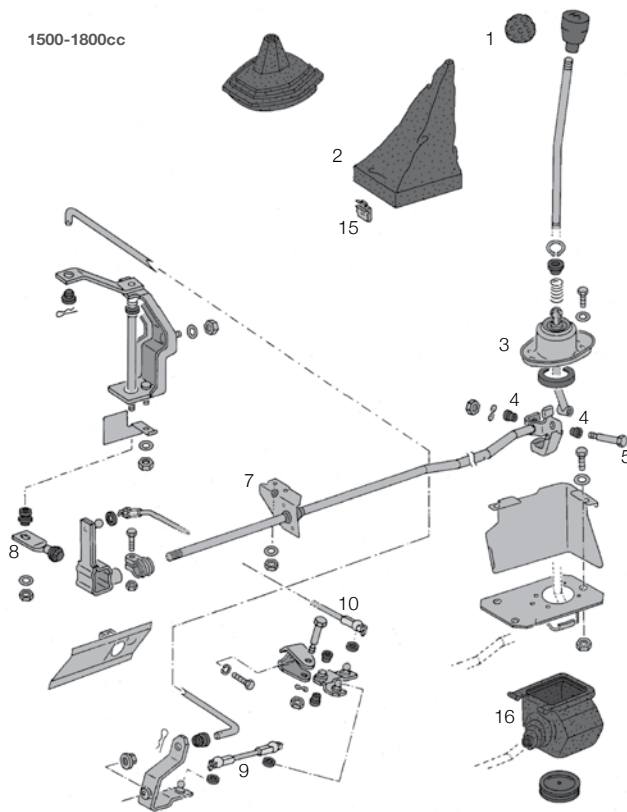
Cables listed may not be suitable for vehicles with engine conversions, please call for advice.

## SHIFT RODS, BUSHES AND FITTINGS

1100-1300cc



1500-1800cc



1	<b>Golf ball gear knob</b> , 5 speed	171-711-141/E	each	<b>£27.95</b>
2	<b>Gear lever gaiter</b> , black leather	191-711-113/A	each	<b>£23.60</b>
3	<b>Bearing &amp; base plate for gear stick</b> 1500cc-1800cc	171-711-247	each	<b>£21.50</b>
4	<b>Bush</b> , bottom of gearstick 1500cc-1800cc	171-711-166	each	<b>£2.50</b>
5	<b>Bolt</b> , for above	N01-021-86	each	<b>£1.20</b>
6	<b>Bearing ring for shiftrod</b> 1100cc-1300cc	861-711-195	each	<b>£5.80</b>
7	<b>Support bracket for shiftrod</b> 1500cc-1800cc	171-711-194/G	each	<b>£14.50</b>
8	<b>Relay shaft with ball</b> , 5 speed	171-711-163/E	each	<b>£22.00</b>
9	<b>Gear selector rod</b> , 4 speed - diagonal	171-711-593/D	each	<b>£4.90</b>
	<b>Gear selector rod</b> , 4 speed - straight	171-711-574/A	each	<b>£3.50</b>
10	<b>Gear selector rod</b> , 5 speed - cranked	171-711-593/E	each	<b>£4.00</b>
	<b>Gear selector rod</b> , 5 speed - straight 12cm	171-711-574/B	each	<b>£5.00</b>
11	<b>Gearbox linkage bush kit</b>	171-798-211	kit	<b>£5.50</b>



12



13



14

12	<b>Golf ball gear knob</b> , Kamei, Genuine VW	113-711-141/DNOT	each	<b>£19.50</b>
13	<b>Gear knob</b> , 5 speed, leather	191-711-141/B/01C	each	<b>£7.20</b>
14	<b>VW Motorsport gear knob</b>	191-711-141/WMM	each	<b>£52.50</b>
15	<b>Securing clip</b> for gearshift gaiter	171-711-119/A	each	<b>£1.00</b>
16	<b>Protection boot</b> , gear selector	171-711-195/C	each	<b>£30.80</b>



FIND US ON  
FACEBOOK:  
VWHERITAGE



FOLLOW US  
ON INSTAGRAM  
@VWHERITAGE



CAN'T SEE THE  
PART YOU NEED  
LISTED?

CHECK THE PART  
NUMBER ONLINE  
IT MIGHT BE  
AVAILABLE FROM  
VW CLASSIC PARTS.



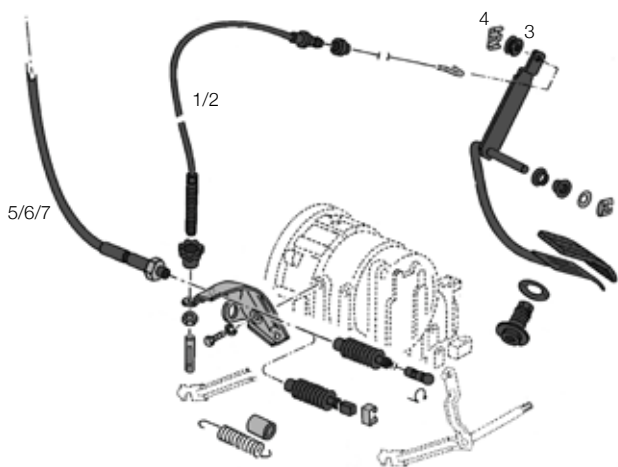
# CABLES AND CONTROLS

## ACCELERATOR CABLES



<b>Accelerator cable</b>			
1068mm for Carb engines	171-721-555/T	each	<b>£13.20</b>
1146mm K-Jet engines chassis >15-C-050 000	171-721-555/K	each	<b>£19.50</b>
1146mm K-Jet engines chassis 15-D-000 001>	171-721-555/AB	each	<b>£15.00</b>
914mm, Diesel LHD	357-721-555/A	each	<b>£9.80</b>
1 1167mm, Diesel RHD	172-721-555/G	each	<b>£28.70</b>
2 <b>Bush</b> , cable to pedal	431-721-559	each	<b>£11.60</b>

## AUTOMATIC MODELS



**Note: Accelerator cable goes from the pedal to the gearbox.  
Bowden cable runs from the gearbox to the carb/throttle body.**

<b>Accelerator cable</b>			
1 LHD, 1004mm, Grey	171-723-555/C	each	<b>£28.30</b>
2 RHD, 1453mm, Orange	172-723-555/B	each	<b>£27.80</b>
3 <b>Bush</b> , cable to pedal	823-721-567	each	<b>£0.90</b>
4 <b>Clip</b> for above	171-721-563	each	<b>£1.50</b>
<b>Bowden cable</b>			
5 Carb engine, Green	010-321-309/E	each	<b>£136.00</b>
6 Diesel, white	010-321-307/B	each	<b>£136.00</b>
7 yellow	010-321-307/A	each	<b>£136.00</b>
<b>Gearbox shift cable</b> , automatic models	171-713-265/C	each	<b>£70.00</b>
<b>Bowden cable pivot pin</b>	089-321-327	each	<b>£6.00</b>



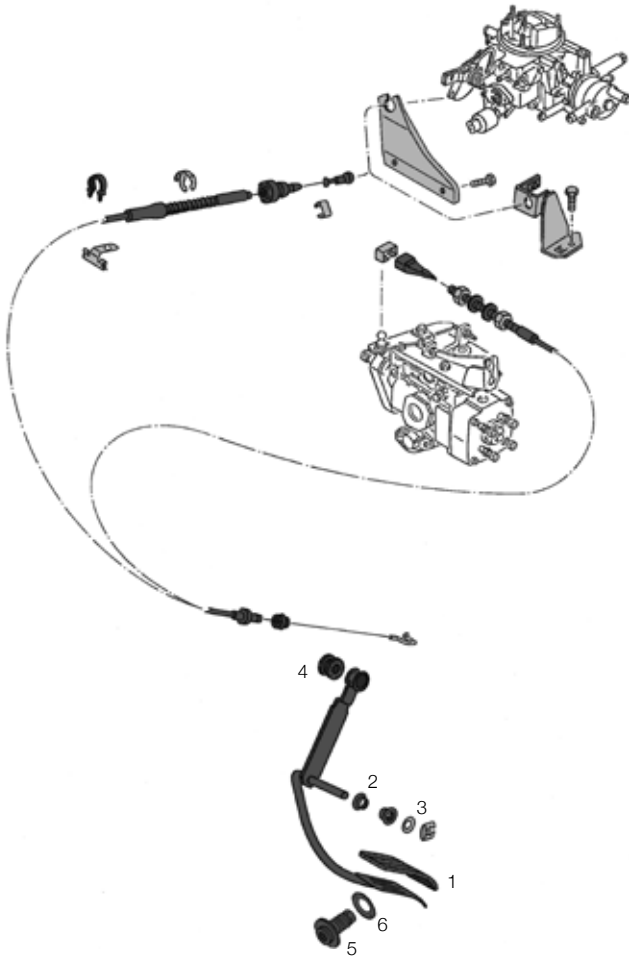
## CLUTCH CABLE AND PEDAL FITTINGS



<b>1 Left hand drive</b>			
1100-1300cc, 1055mm	171-721-335/D	each	<b>£16.40</b>
Scirocco, LHD 1500-1600cc, 885mm 76>	531-721-335/C	each	<b>NCA</b>
1600-1800cc, 800mm	171-721-335/E	each	<b>£11.80</b>
<b>2 Right hand drive</b>			
1100-1300cc, 81 only 1457mm	172-721-335/D	each	<b>£41.10</b>
1100-1800cc carburettor engine, 1615mm	154-721-335	each	<b>£11.00</b>
K-Jet 1470mm	172-721-335/H	each	<b>£22.00</b>
Scirocco, 15-1600cc carb, 1216mm	532-721-335	each	<b>£36.00</b>
1.6/1.8, 1490mm	532-721-335/J	each	<b>NCA</b>
Diesel, Turbo diesel, 1202mm	172-721-335/J	each	<b>£20.00</b>
<b>3 Installation kit</b> for manual adjustment cable	171-798-105	each	<b>£4.60</b>
<b>4 Clutch pedal bearing/bush</b>			
RHD	171-721-231	each	<b>£0.80</b>
5 LHD 75-76	171-721-232	each	<b>£1.00</b>
LHD 76-83	171-721-231/C	each	<b>£1.40</b>
<b>6 Securing spring</b> for selector mechanism	171-711-561	each	<b>£1.20</b>
<b>7 Collar, accelerator pedal stop</b> , LHD, 4/74-7/81	1J0-723-528	each	<b>£1.00</b>
<b>8 Stop for accelerator pedal</b>	823-721-527	each	<b>£6.50</b>
<b>9 Bush</b> , accelerator pedal	823-721-543	each	<b>£0.50</b>
<b>10 Buffer</b> , accelerator cable stop	171-723-589/A	each	<b>£5.10</b>

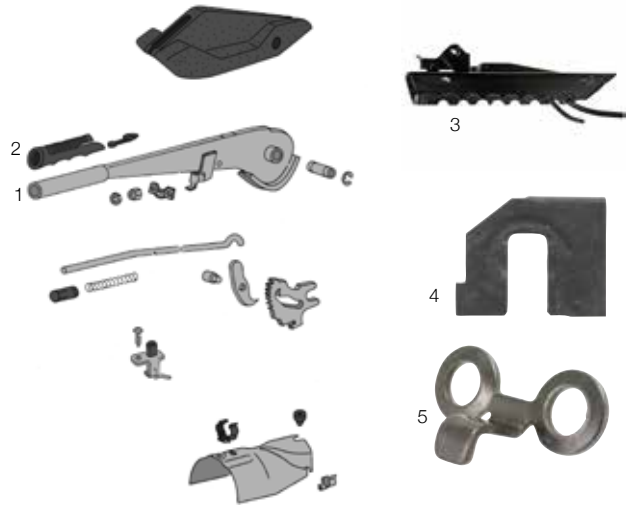


ACCELERATOR PEDAL



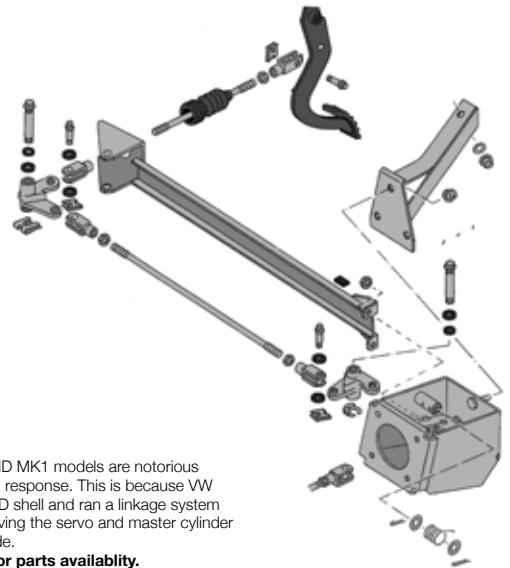
1	Accelerator pedal rubber	171-721-647	each	£12.49
2	Pedal shaft bearing bush	823-721-543	each	£0.50
3	Washer for above	N90-002-001	each	NCA
4	Bush for accelerator cable to pedal	431-721-559	each	£11.60
	Stop buffer	171-723-589/A	each	£5.10
5	Stop for accelerator pedal, lhd	823-721-527	each	£6.50
6	Collar for above	171-723-528	each	NCA

HANDBRAKE



1	Handbrake lever >7/88	171-711-305/B	each	£59.70
2	Handbrake lever grip	311-711-327/A/O1C	each	£5.94
3	Bearing bracket for handbrake lever	171-711-281/K	each	£59.59
4	Handbrake lever pivot-retaining clip	191-711-350	each	£1.30
5	Guide, handbrake cable	321-609-763	each	£2.40

BRAKE PEDAL - RHD



**Note:** The RHD MK1 models are notorious for poor pedal response. This is because VW adapted a LHD shell and ran a linkage system instead of moving the servo and master cylinder to the right side.  
**Please call for parts availability.**



# BODY

In the UK series 1 Golfs had metal bumpers and small rear lights, except in 1979 when plastic bumpers were fitted. Series 2 cars have plastic bumpers and larger rear lights .....



The Mk1 chassis is home to the Golf, Jetta, Cabriolet, Scirocco and the front half of the Caddy! We have tried to include as many body parts as possible here, but please call us you can't see ..... what you're after.

Jetta, Cabriolet and Caddy models were only ever offered with plastic bumpers from the factory.

Treat Caddy's as 4 door Golf models to behind the doors, use 4 door sills, but 3 door rear arch panels.

## METAL BUMPERS



<b>Bare metal</b>			
1	Front	171-807-111/A	each £75.00
	Rear	171-807-311/A	each £75.00
<b>Standard chrome</b>			
2	Front	171-807-111/C	each £105.00
	Rear	171-807-311/C	each £105.00
<b>UK chrome, 1 year warranty</b>			
	Front	171-807-111/G	each £210.00
	Rear	171-807-311/D	each £210.00
<b>Black powdercoated</b>			
3	Front	171-807-111/B	each £138.00
	Rear	171-807-311/B	each £138.00
<b>Rubber trim, self adhesive version of original</b>			
4	Front	171-807-201	each £30.00
	Rear	171-807-202	each £30.00
	<b>Bolt, bumper to bracket, 4 per bumper</b>	113-707-191/C /	each £2.95
	<b>Washer for above</b>	N01-222-83	each £0.60
	<b>Nut for above</b>	N01-100-88	each £0.30

## PLASTIC BUMPER



<b>Bumper, 8/79-</b>			
1	Front	171-807-103/B	each £45.00
2	Rear	171-807-301	each £45.00
<b>Wing mounted clip for bumper, 2 req</b>			
3	front	171-807-269/B	each £2.50
	rear	171-807-269/C	each £2.40
	<b>Grommet for bumper clips, 2 per bumper</b>	N90-174-201	each £1.10
4	<b>Bolt, bumper iron to body, front or rear</b>	N01-024-118	each £1.49
	<b>Washer for front bumper, 4 req</b>	131-821-150/ /	each £0.60
	<b>Small washer for rear bumper, 4 req</b>	N01-152-520	each £0.80
5	<b>Large washer for rear bumper, 4 req</b>	361-501-575	each £1.00
6	<b>Number plate plinth, front</b>	171-807-841/A	each £30.00

## FITTINGS FOR METAL BUMPERS



1	<b>Bumper bracket, 4 req</b>	171-807-113	each £21.00
	<b>Bolt, bracket to body, 4 per bumper</b>	N01-024-016	each £0.80
	<b>Lock washer for above</b>	N01-203-87	each £0.60
	<b>Washer for above</b>	361-501-575	each £1.00
<b>End cap</b>			
2	L/H front, R/H rear	171-807-143/A	each £12.50
3	R/H front, L/H rear	171-807-144/A	each £12.50

## FRONT SPOILER



1	<b>Non GTI spec</b>	171-805-903	each £8.50
2	<b>Clip for attaching spoiler to valance, 5 req</b>	171-853-695/A	each £1.00
<b>GTI "Duckbill"</b>			
3	left side	171-805-903/B	each £12.50
	right side	171-805-904/B	each £12.50
	<b>Bolt, spoiler to valance, 5 req</b>	N01-413-24	each £1.80
	<b>Nut for above</b>	N01-100-517	each £0.59
	<b>Spring washer for above</b>	N01-222-53	each £0.46
	<b>Washer for above</b>	N01-166-53	each £0.50

FRONT SECTION AND SLAM PANEL



<b>Front panel,</b>			
1	complete, with cross member below headlamps	171-805-591/BG	each £79.00
2		171-805-595/B	each £39.00
3	<b>Rubber stopper</b> for bonnet	867-827-500/A	each £4.25
4	<b>Bonnet stay retaining clip</b>	867-823-397	each £1.00
	<b>Grommet</b> for bonnet stay	171-823-395	each £4.10
	<b>Bulkhead repair patch</b> for clutch cable	171-898-152	each £15.00
	<b>Front cross member</b> with engine mount	171-803-141/G	each £275.00

BONNET



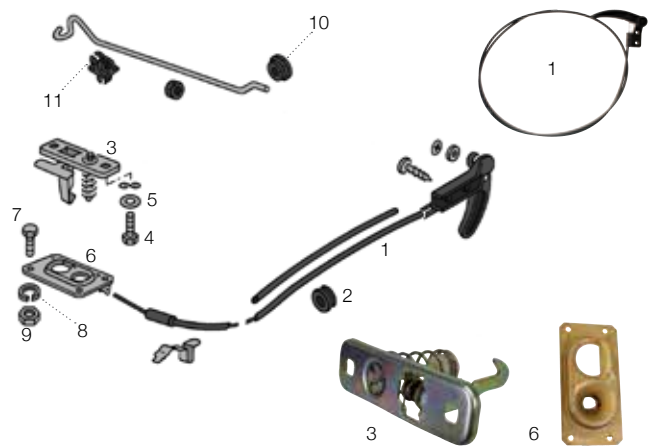
<b>Bonnet,</b>			
1	Reproduction	155-823-031	each £125.00
2	Genuine VW	17S-823-031/A	each £209.50
<b>Bonnet hinge,</b>			
	Left, Genuine VW	161-823-301/A	each £42.50
3	Right, Genuine VW	161-823-302/A	each £28.50
	Repro, aluminium, pair	WC823001	pair £25.00
4	<b>Bolt</b> , bonnet to hinge, M6 x 18	N01-021-527	each £0.80
	<b>Washer</b> for above	211-805-243	each £1.20
5	<b>Locking washer</b> , hinge to bearing bracket	N90-047-001	each £2.80
6	<b>Under bonnet sound proofing</b> , 1 Piece	171-863-835/A	each £52.50
7	<b>Chromed bonnet stay rod</b>	171-823-363/C	each £35.99
8	<b>Bonnet pull release handle</b>	171-823-537	each £6.50

SCUTTLE PANEL



1	<b>Scuttle panel</b>	171-817-115/C	each £42.00
2	<b>Rain tray cover</b> , plastic, all models	171-819-415/F	each £29.60
3	<b>Seal</b> for above	171-819-519/C	each £29.40
	<b>Clip for water deflector / rain tray</b>	191-819-145/A	each £0.60

BONNET CABLE, CATCH AND FITTINGS



1	<b>Bonnet cable</b> , all models	171-823-531/G	each £12.00
2	<b>Grommet</b> for cable through bulkhead	311-611-743	each £3.60
3	<b>Bonnet catch, upper</b> , all models >7/83	321-823-507/A	each £45.88
	Caddy + Cabriolet 8/83-7/92	191-823-507	each £25.20
4	<b>Bolt</b> for above	N01-021-226	each £1.10
5	<b>Washer</b> for above	211-805-243	each £1.20
6	<b>Bonnet catch, lower</b> , all models >7/84	171-823-509	each £19.30
	Caddy + Cabriolet 8/84-7/92	191-823-509	each £9.50
7	<b>Bolt</b> for above	N01-020-17	each £0.50
8	<b>Washer</b> for above	N01-200-43	each £0.40
9	<b>Nut</b> for above	N01-100-42	each £0.30
10	<b>Grommet</b> , bonnet stay rod	171-823-395	each £4.10
11	<b>Bonnet stay clip</b> , for slam panel	867-823-397	each £1.00

UPGRADES & CUSTOM PARTS  
BONNET BRA AND LIFTERS



1	<b>Bonnet lifters</b> , pair	WC823FKHL16	each £13.50
2	<b>Bra</b> , all models	WC853011	each £53.10





**FRONT WINGS INNER**



<b>Inner front wing repair panel,</b>			
1	Left	171-809-107	each <b>£18.50</b>
	Right	171-809-108	each <b>£18.50</b>
<b>Front wing mounting panel,</b>			
2	Left	171-809-109	each <b>£20.50</b>
	Right	171-809-110	each <b>£20.50</b>
<b>Suspension turret repair</b>			
	Left	171-809-119/H	each <b>NLA</b>
	Right	171-809-120/H	each <b>£54.60</b>
<b>Chassis, inner front wheel housing,</b>			
	Left	171-809-101/BS	each <b>£191.00</b>
	Right	171-809-102/BS	each <b>£191.00</b>

**FRONT WINGS OUTER**



Please note all wings come without the hole for side indicator, if you have a later vehicle you will need to cut this hole before fitting. In the UK side repeaters were fitted from 1987 and will be required for MOT.

<b>&gt;7/79 and Cabriolet 8/88&gt;</b>			
1	Left	155-821-021/A	each <b>£49.99</b>
	Left, Genuine VW	155-821-021/E	each <b>£184.95</b>
2	Right	155-821-022/A	each <b>£49.99</b>
	Right, Genuine VW	155-821-022/E	each <b>£184.95</b>
<b>8/79&gt; 7/88, for models with plastic small bumper</b>			
3	Left	171-821-021/N	each <b>£49.99</b>
	Right	171-821-022/N	each <b>£49.99</b>
<b>Jetta model,</b>			
4	Left	161-821-021/C	each <b>£59.50</b>
	Right	161-821-022/C	each <b>£59.50</b>
	<b>Wing fixing bolt</b>	311-821-143	each <b>£2.20</b>
5	<b>Aerial blanking grommet</b>	443-821-169	each <b>£2.50</b>

**FLOORPANS**



<b>Front floor repair panel,</b>			
1	Left	171-803-205	each <b>£26.50</b>
	Right	171-803-206	each <b>£26.50</b>
<b>Floor pan half, 3 or 5 door, shorten for Caddy,</b>			
2	Left	171-803-203	each <b>£47.50</b>
	Right	171-803-204	each <b>£47.50</b>

**SILLS**



These can be modified to suit Cabriolet models.

<b>Outer sill, 3 door model</b>			
	Left	171-809-847/D	each <b>£21.00</b>
	Right	171-809-848/D	each <b>£21.00</b>
<b>Outer sill, 5 door model</b>			
modify for Caddy, please call for advice.			
	Left	173-809-847/A	each <b>£26.50</b>
	Right	173-809-848/A	each <b>£26.50</b>

**CHASSIS REPAIR SECTIONS**



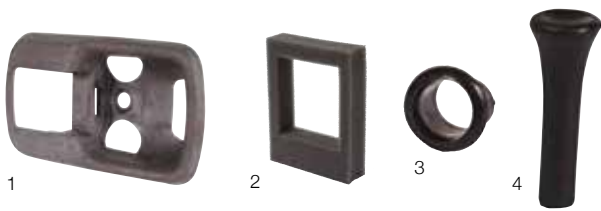
<b>Rear chassis repair</b>			
1	Left	171-801-391	each <b>£17.00</b>
	Right	171-801-392	each <b>£17.00</b>
<b>Rear chassis leg plate</b>			
	Left	171-809-845/B	each <b>£15.50</b>
2	Right	171-809-846/B	each <b>£15.50</b>
<b>Lower external side member, left, Genuine VW</b>			
		171-803-101/L	each <b>£76.04</b>

**DOOR REPAIR PANELS**



<b>Lower door skin repair plate, left</b>			
		171-831-100	each <b>£23.50</b>
<b>Lower door skin repair plate, right</b>			
		171-831-101	each <b>£23.50</b>

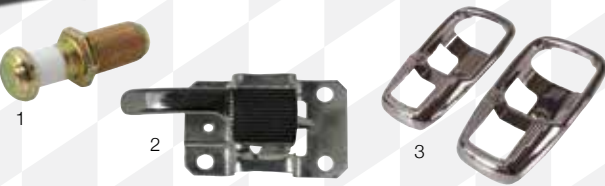
INTERIOR LOCKING MECHANISM



<b>Door pull release handle, black,</b> Left	171-837-019/041	each	<b>£18.00</b>
Right	171-837-020/041	each	<b>NLA</b>
<b>Bolt for above</b>	N90-529-301	each	<b>£0.60</b>
<b>Washer for above</b>	111-837-941	each	<b>£0.50</b>
<b>1 Door pull housing, black, left or right</b>	171-837-235/BK	each	<b>£6.95</b>
<b>Screw for above</b>	N01-426-43	each	<b>£0.38</b>
<b>Cone washer for above</b>	111-837-291	each	<b>£1.50</b>
<b>Plastic insert for door pull housing, black</b>	311-837-247/ /01C	each	<b>£3.76</b>
<b>2 Seal for door operating lever</b>	171-837-241/ /	each	<b>£5.50</b>
<b>3 Guide for door lock pull knob</b>	171-837-355/ /043	each	<b>£1.75</b>
<b>4 Door lock pull knob, black, Genuine VW</b>	171-837-187/ /043	each	<b>£2.75</b>
<b>Door lock pull knob, early style</b>	111-837-187	each	<b>£2.50</b>
<b>Inner door pull handle, left</b>	171-837-019/041	each	<b>£18.00</b>

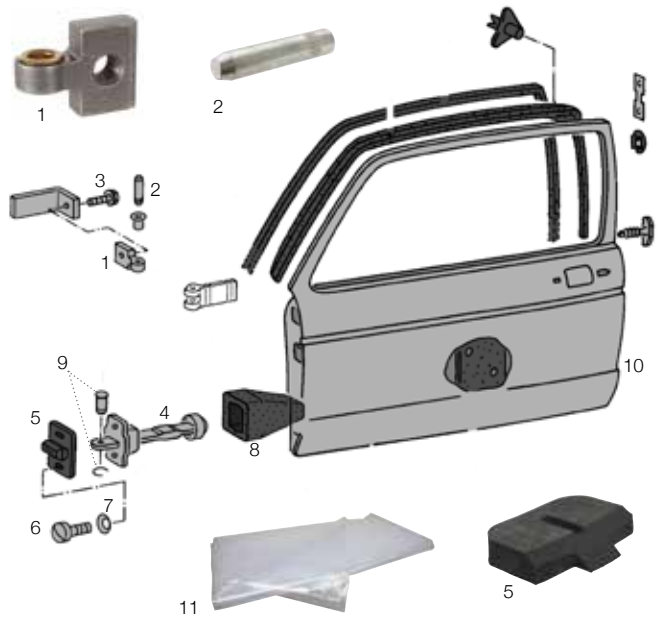
**UPGRADES & CUSTOM PARTS**

DOOR LOCKS AND STRIKERS



<b>1 Striker bolts, chrome, pair (Not for Caddy or Cabrio 8/89-)</b>	321-837-034	each	<b>£9.30</b>
<b>2 Interior door pull handle, chrome, left</b>	113-837-019/B	each	<b>£15.50</b>
<b>Interior door pull handle, chrome, right</b>	113-837-020/B	each	<b>£15.50</b>
<b>3 Door pull housings, chrome, pair</b>	113-837-239/B/CM	each	<b>£19.96</b>

DOORS, HINGES AND CHECK STRAPS



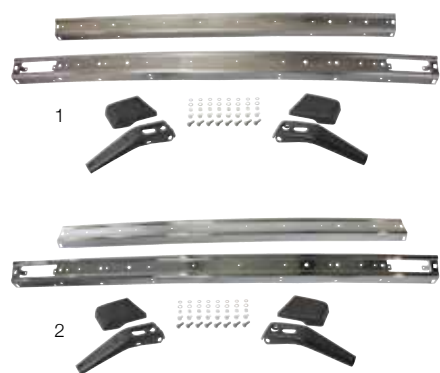
<b>1 Door hinge half, left or right</b> (will require drilling to fit)	321-831-403	each	<b>£7.90</b>
<b>2 Hinge pin for above</b>	321-831-421	each	<b>£1.70</b>
<b>3 Bolt for hinge to body, M10x15 for hinge above</b>	N90-307-901	each	<b>£1.95</b>
<b>Bolt for hinge to body, M8x22 for original hinge</b>	N90-116-301	each	<b>£4.60</b>
<b>4 Check strap, all models, front, left or right</b>	171-837-251	each	<b>£22.50</b>
<b>Check strap, rear, left or right</b>	173-839-251/B	each	<b>£14.70</b>
<b>5 Gasket for check strap</b>	867-837-267	each	<b>£7.70</b>
<b>6 Bolt for above, front</b>	N01-021-86	each	<b>£1.20</b>
<b>Bolt for above, rear</b>	N01-414-05	each	<b>£0.90</b>
<b>7 Washer for above</b>	111-837-941	each	<b>£0.50</b>
<b>8 Boot for checkstrap (inside door), front or rear</b>	191-837-323/A	each	<b>£6.10</b>
<b>9 Pin and clamping washer, checkstrap to body</b>	191-898-257	each	<b>NLA</b>
<b>Door, 4 door models</b>			
<b>10 Left</b>	155-831-051/H	each	<b>£165.00</b>
<b>Right</b>	155-831-052/H	each	<b>£165.00</b>
<b>Door skin, right, Genuine VW</b>	171-831-106/D	each	<b>£69.50</b>
<b>11 Protective film for doors, behind door cards</b>	3A0-867-201/H	each	<b>£3.50</b>

LOOKING FOR SCIROCCO PARTS?



PLEASE CALL FOR ADVICE ON PARTS AVAILABLE  
01273 444 000

METAL BUMPER KITS



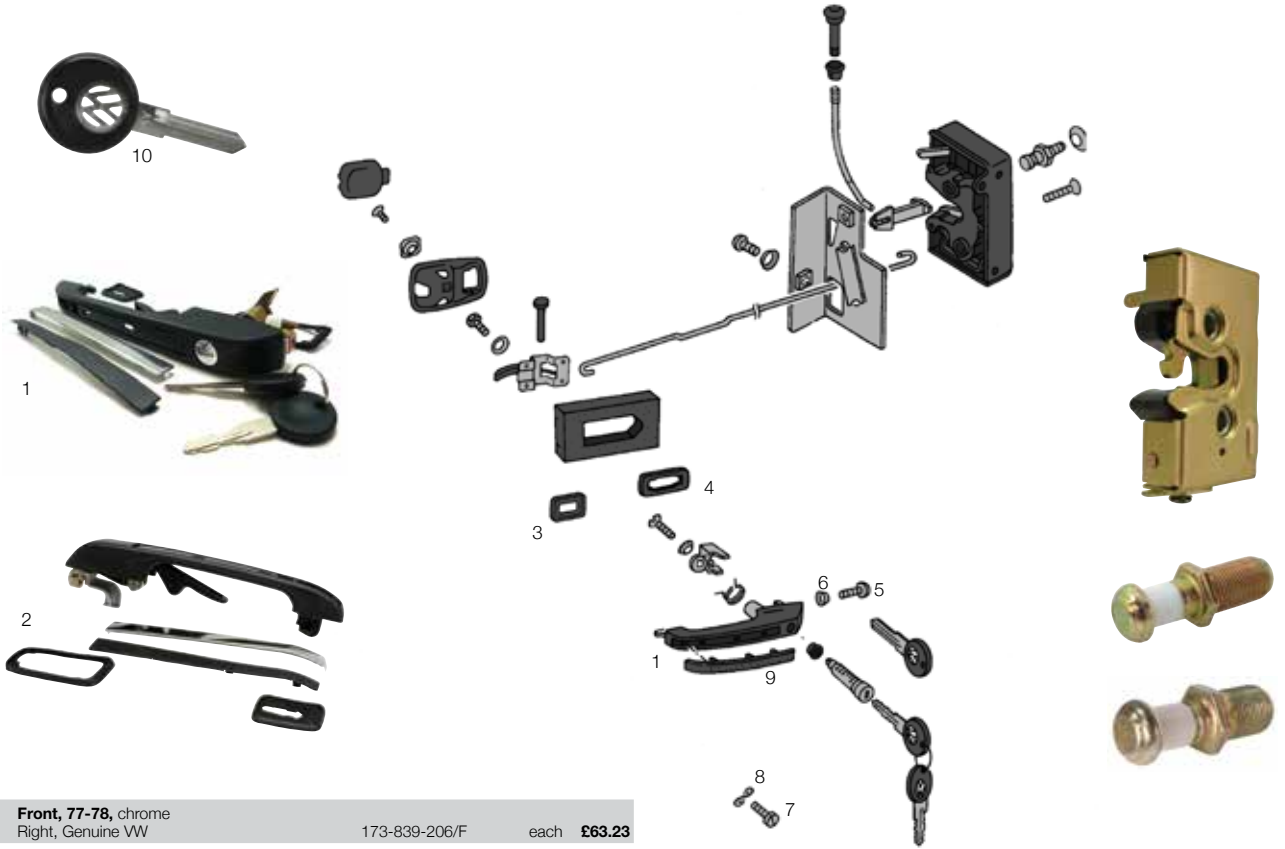
EXTRA VALUE KITS

Front and rear metal bumper kits. All include a full set of end caps, bumper irons and fixings.

<b>1 Bare metal</b>	WC898001RAW	kit	<b>£309.00</b>
<b>Black powdercoated</b>	WC898001B	kit	<b>£375.00</b>
<b>Sunny climate chrome</b>	WC898001C	kit	<b>£375.00</b>
<b>2 UK triple plate chrome</b>	WC898001UKC	kit	<b>£509.00</b>



DOOR HANDLES AND LOCKING MECHANISM



	<b>Front, 77-78, chrome</b> Right, Genuine VW	173-839-206/F	each	<b>£63.23</b>
	<b>Front, 8/77-7/81</b> Hatchback, Cabriolet all, Black, left	155-837-205/A	each	<b>£63.50</b>
	Right	155-837-206/A	each	<b>£60.50</b>
1	<b>Front, 8/81-7/92, Hatchback/ Caddy, black,</b> Left	191-837-205/A	each	<b>£8.50</b>
	Left, Genuine VW	191-837-205/A/G	each	<b>£60.10</b>
	Right	191-837-206/A	each	<b>£8.50</b>
	Right, Genuine VW	191-837-206/A/G	each	<b>£60.10</b>
2	<b>Rear, 8/77-7/83, black,</b> Left	193-839-205	each	<b>£8.50</b>
	Right	193-839-206	each	<b>£8.50</b>
	<b>Base gasket</b> for above, small, front or rear, 8/77- 7/81	443-837-209	each	<b>NLA</b>
	<b>Base gasket</b> for above, front or rear,			
3	Small 8/81-	867-837-209	each	<b>£1.80</b>
4	Large 8/77-	171-837-211/A	each	<b>£4.95</b>
	<b>Door handle gasket set</b> , all models. Per handle. 171-898-201		kit	<b>£6.50</b>
5	<b>Screw</b> for above, in door shut, 8/77-7/81	N01-413-13	each	<b>£1.25</b>
	8/81-	N01-413-87	each	<b>£0.30</b>
6	<b>Washer</b> for above	111-837-941	each	<b>£0.50</b>
7	<b>Screw for handle</b> , under trim	N01-413-13	each	<b>£1.25</b>
8	<b>Washer</b> for above	N01-222-53	each	<b>£0.46</b>
9	<b>Trim for handle</b> , chrome, Genuine VW	433-837-239	each	<b>£6.30</b>

10	<b>Door lock mechanisms</b>			
	<b>Front, 8/77-7/83 Hatchback/Cabriolet LHD</b>			
	Left	321-837-015	each	<b>£57.20</b>
	Right	321-837-016	each	<b>£47.90</b>
	<b>Front, 8/77-7/83 Hatchback/Cabriolet RHD</b>			
	Left	172-837-015/C	each	<b>NCA</b>
	Right	172-837-016/C	each	<b>£53.10</b>
	<b>Front, Caddy models LHD</b>			
	Left	327-837-015/B	each	<b>£56.60</b>
	Right	327-837-016/B	each	<b>£53.00</b>
	<b>Front, Caddy models RHD</b>			
	Left	192-837-015/A	each	<b>£51.60</b>
	Right	192-837-016/A	each	<b>£21.50</b>
	<b>Rear, all models</b>			
	Left	327-839-015/B	each	<b>£19.50</b>
	Right	327-839-016/B	each	<b>£19.50</b>
	<b>Bolt, mechanism to door</b>	N02-141-63	each	<b>£1.50</b>
	<b>Striker bolt,</b> Front and rear 8/77- Caddy-all, Cabriolet 8/89-	321-837-034 155-837-034	each	<b>£9.30</b> <b>£10.80</b>
	<b>Washer</b> for above	823-837-057/A	each	<b>£3.50</b>
	<b>Plastic washer</b> , Caddy all, Cabriolette 8/89- only	N90-338-501	each	<b>£0.80</b>
10	<b>Blank key</b> , Genuine VW, with embossed logo	161-837-219	each	<b>£24.50</b>

**UPGRADES  
& CUSTOM PARTS**

CHROME HANDLES

1	<b>Front, 77-78, chrome, right, Genuine VW</b>	173-839-206/F	each	<b>£63.23</b>
2	<b>Chrome on metal door handle</b> Best quality 81>	171-898-200/BQC	each	<b>£60.95</b>
3	<b>Plastic door handles</b> Chrome effect, pair with locks	171-898-200/C	pair	<b>£20.00</b>



REAR ARCHES AND REPAIR PANELS



For Caddy use 3 door rear arches and modify the lower rear corner, for Jetta 4 door use 5 door rear arches and modify lower rear corner

Rear wheel arch, 3 door models

Left	171-809-837	each	£16.00
Left, extra large	171-809-837/A	each	£22.00
Right	171-809-838	each	£16.00
Right, extra large	171-809-838/A	each	£22.00

Rear wheel arch, 5 door models

Left	173-809-837/A	each	£23.50
Right	173-809-838/A	each	£23.50

Rear wheel housing outer part

Left	155-803-435/A	each	£33.50
Right	155-803-436/A	each	£33.50

3	Rear suspension turret, left or right	171-809-119	each	£17.50
---	---------------------------------------	-------------	------	--------

Rear lower corner repair, all models exc Caddy/Jetta,

Left	171-809-615	each	£12.00
Right	171-809-616	each	£12.00

Inner rear wheel arch

Left	155-803-433	each	£16.50
Right	155-803-434	each	£16.50

Rear quarter, inner rear side panel (3 door models)	171-813-110/E	each	£62.50
---	---------------	------	--------

REAR PANELS AND VALANCE



1	Rear panel complete, hatchback, UK spec Series 2 big lights 8/79-7/83	171-813-301/D	each	£155.00
2	Cabriolet all years	155-813-305/L	each	£290.00

Rear panel, below lamps, hatchback, small lights 8/74-7/79	171-813-301/C	each	£39.50
--	---------------	------	--------

3	Rear valance, modify for cabriolet models	171-813-303	each	£25.50
---	---	-------------	------	--------

Rear valance, inner	171-813-301/A	each	£20.00
---------------------	---------------	------	--------

4	Boot floor panel, South African spec, modify to fit	BBW-813-115/A	each	£133.00
---	---	---------------	------	---------

Spare wheel well	171-813-113/A	each	£102.00
------------------	---------------	------	---------

Boot floor, 78-83 & cabriolet 80-83	171-813-115/D	each	£200.00
-------------------------------------	---------------	------	---------

Panel, left rear wheel housing, 75-83	171-803-421/L	each	£334.00
---------------------------------------	---------------	------	---------

FUEL FILLER



1	Fuel filler outer repair panel	171-809-870/A	each	£15.00
2	Fuel cap surround, black vinyl	171-898-127	each	£2.60

SCIROCOCO MK1 REAR PANELS



1	Rear arch repair panel			
Left	531-809-837	each	£20.90	
Right	531-809-838	each	£20.90	



2	Rear lower corner repair			
Left	531-809-615	each	£17.99	
Right	531-809-616	each	£17.99	
3	Rear valance lower section	531-813-301	each	£26.00



TAILGATE



1	<b>Tailgate, hatchback, Genuine VW</b>	171-827-025/K	each	<b>£224.00</b>
2	<b>Tailgate bottom repair</b>	171-827-038	each	<b>£33.30</b>
3	<b>Tailgate seal</b>	321-827-705/A	each	<b>£25.70</b>
	<b>Tailgate seal, Genuine VW</b>	321-827-705/A/GEN	each	<b>£56.60</b>
4	<b>Tailgate hinge</b>	171-827-301/A	each	<b>NLA</b>
5	<b>Bolt, hinge to tailgate</b>	N01-414-05	each	<b>£0.90</b>
6	<b>Washer for above</b>	311-837-943	each	<b>£0.50</b>

7	<b>Bolt, hinge to body, M6x10</b>	N90-529-301	each	<b>£0.60</b>
8	<b>Spring washer for above</b>	311-837-943	each	<b>£0.50</b>
9	<b>Rubber stop buffer</b>	867-827-500/A	each	<b>£4.25</b>
	<b>Rubber boot for wiring /washers</b>			
	Left	171-971-840	each	<b>£5.90</b>
	Right	171-971-840/A	each	<b>£5.90</b>
10	<b>Gas strut</b>	171-827-550/A	each	<b>£16.20</b>
	<b>Tailgate surround decal, GTI models, black</b>	171-898-523/A 4AT	each	<b>£40.00</b>
11	<b>Compensating piece for tailgate strut</b>	171-827-625	each	<b>£0.50</b>

REAR HATCH HANDLE AND LOCK



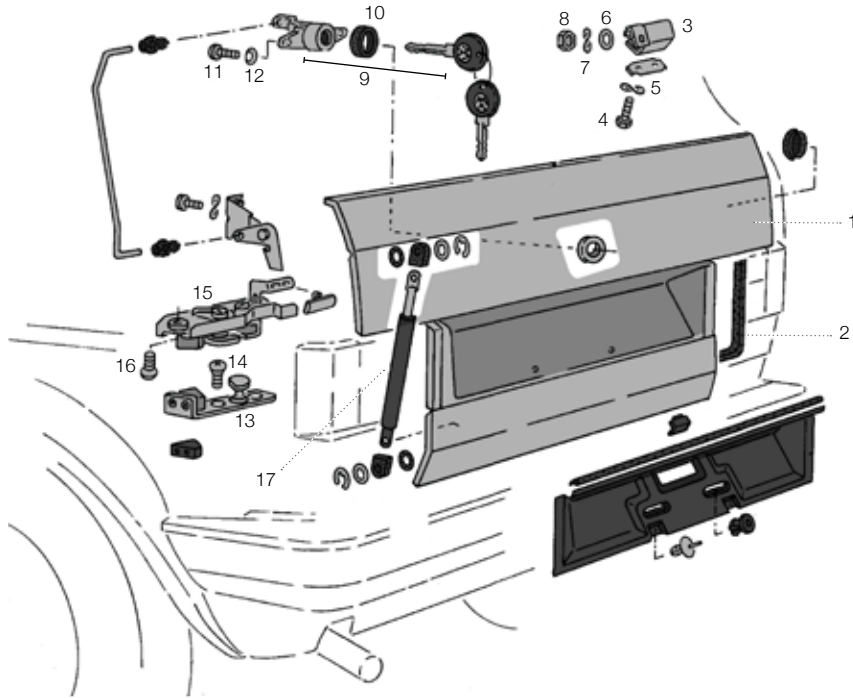
1	<b>Hatch lock, inc barrel and keycode, Genuine VW</b>	327-827-539	each	<b>£33.50</b>
2	<b>Lock to body gasket</b>	361-827-527	each	<b>£4.50</b>
3	<b>Lock mechanism</b>	331-827-505/D	each	<b>£23.60</b>
	<b>Bolt for above, M6x14</b>	N03-304-01	each	<b>£0.60</b>
	<b>Striker plate</b>	331-827-511-A	each	<b>£23.60</b>
	<b>Bolt for above</b>	N03-304-01	each	<b>£0.60</b>

CADDY TAILGATE



	<b>Tailgate, Caddy Mk1, Genuine VW</b>	147-829-055	each	<b>£605.00</b>
	<b>Rubber ring for Caddy tailgate retaining rod</b>	179-829-369	each	<b>£0.62</b>
	<b>Handle connecting rod</b>	147-829-505	each	<b>£0.00</b>
	<b>Tailgate limiter stay</b>	179-829-301	each	<b>£27.30</b>

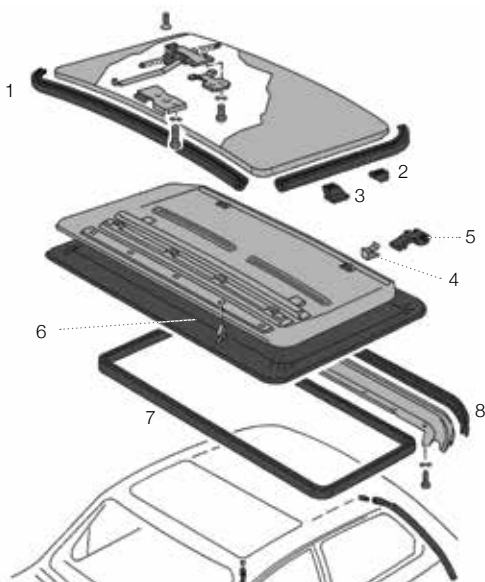
CABRIOLET TAILGATE



1	<b>Tailgate</b>	155-827-025/B	each	<b>£304.00</b>
2	<b>Tailgate seal</b>	155-827-705	each	<b>£78.60</b>
3	<b>Tailgate hinge</b>			
	Left	155-827-301	each	<b>£76.70</b>
	Right	155-827-302	each	<b>£71.60</b>
4	<b>Bolt</b> , tailgate to hinge	N01-021-226	each	<b>£1.10</b>
5	<b>Washer</b> for above	N01-222-65 / /	each	<b>£0.50</b>
6	<b>Washer</b> , hinge to body	N01-167-016	each	<b>£2.80</b>
7	<b>Spring washer</b> for above	N01-224-110	each	<b>£0.40</b>
8	<b>Nut</b> for above	N01-100-88	each	<b>£0.30</b>

9	<b>Tailgate lock and key</b>	327-827-539	each	<b>£33.50</b>
10	<b>Gasket</b> , tailgate lock	161-827-527	each	<b>£6.50</b>
11	<b>Screw</b> , lock to tailgate	N01-414-05	each	<b>£0.90</b>
12	<b>Washer</b> for above	311-837-943	each	<b>£0.50</b>
13	<b>Striker plate</b> for tailgate lock	155-829-221	each	<b>£21.50</b>
14	<b>Screw</b> , striker plate to body	N90-322-901	each	<b>£0.60</b>
15	<b>Lock mechanism</b>	155-829-211/A	each	<b>£53.60</b>
16	<b>Screw</b> for above	N90-322-901	each	<b>£0.60</b>
17	<b>Gas strut</b>	155-827-550/B	each	<b>£52.50</b>

SUNROOF

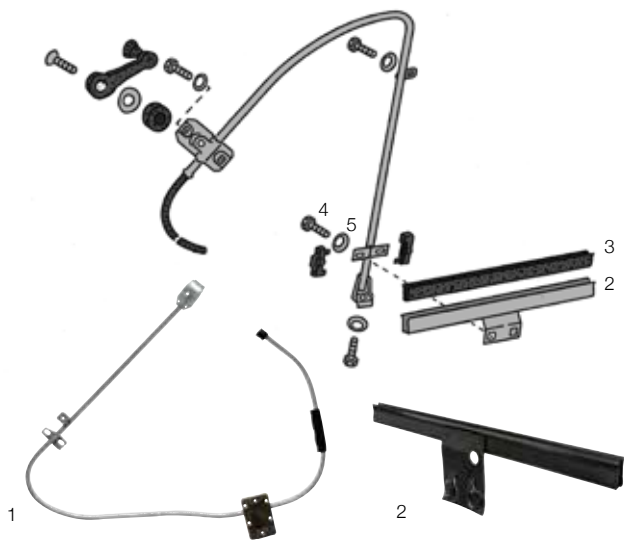


1	<b>Sunroof seal</b>	321-877-209/A	each	<b>£89.50</b>
2	<b>Sliding bush</b>	411-877-145	each	<b>£0.80</b>
3	<b>Guide piece</b>	191-877-145	each	<b>£4.30</b>
4	<b>Clip</b>	313-877-277	each	<b>£0.30</b>
5	<b>Guide piece</b>	171-877-278	each	<b>£3.00</b>
6	<b>Clip</b>	191-877-281	each	<b>£3.00</b>
7	<b>Beading</b> , for sunroof frame, grey	191-877-227/A/BAX	each	<b>£21.30</b>
8	<b>Gasket</b> , for water drain plate	191-877-253	each	<b>NLA</b>



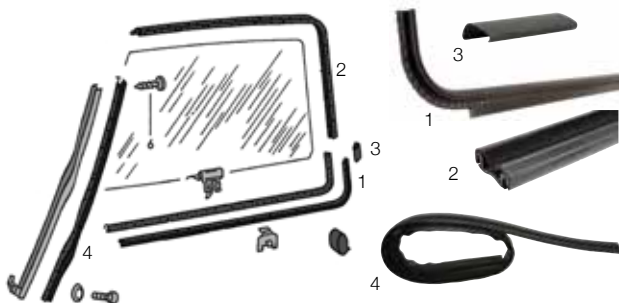


**WINDOW WINDERS AND MECHANISMS**



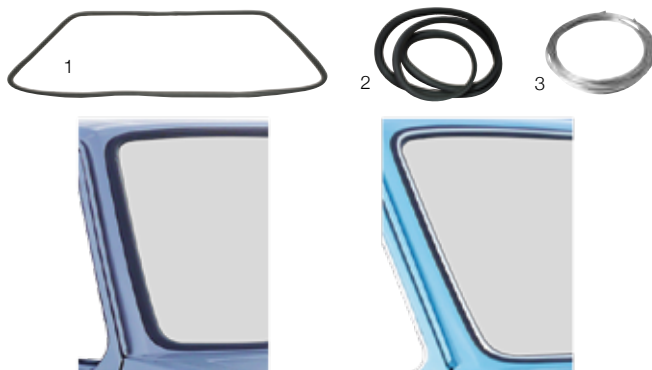
<b>Front window winder mechanism.</b>			
	Golf mk1 >83 / Caddy >92 Left	171-837-401/B	each <b>£35.00</b>
1	Golf mk1 >83 / Caddy >92 right	171-837-402/B	each <b>£35.00</b>
	<b>Bolt</b> , Mechanism to door	N90-529-301	each <b>£0.60</b>
	<b>Washer</b> for above	311-837-943	each <b>£0.50</b>
2	<b>Lifter channel</b> , all models		
	Front	171-837-571/A	each <b>£19.00</b>
	Rear	171-837-571/A	each <b>£19.00</b>
3	<b>Seal</b> , channel to glass	831-837-565/ /	each <b>£4.00</b>
4	<b>Bolt</b> , channel to mechanism	N90-529-301	each <b>£0.60</b>
5	<b>Washer</b> for above	311-837-943	each <b>£0.50</b>
<b>Rear window winder mechanism.</b>			
	Golf / Jetta (not Cabriolet)		
	Left	173-839-401	each <b>£40.80</b>
	Right	173-839-402	each <b>£40.80</b>

**SCRAPERS AND SEALS**



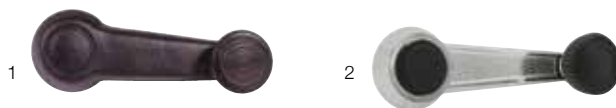
<b>Inner and outer scrapers will require shortening for Mk1 Golf 5 door / Jetta and Caddy</b>			
<b>Inner / outer scraper</b> excl. Cabriolet			
1	Left hand inner / right hand outer	251-837-704	each <b>£21.50</b>
	Right hand inner / left hand outer	251-837-703	each <b>£21.50</b>
<b>South African spec felt guide</b> , left or right			
	Plain	171-837-439/D	each <b>£28.00</b>
2	For chrome trim	281-837-709	each <b>£34.00</b>
3	<b>Trim clip</b> , scraper frame to large felt, black	171-837-483	each <b>£2.80</b>
4	<b>Small upright felt guide</b> , left & right	171-837-433/A	each <b>£14.95</b>
<b>Rear 1/4 window seal</b> , all years, 5 door			
	Plain, left or right	173-845-217	each <b>£30.80</b>
	Left for trim	173-845-217/A	each <b>£20.60</b>
	Right for trim	173-845-218/A	each <b>£21.60</b>
<b>South African spec scrapers</b> . Genuine VW use 5 door and Caddy models, front or rear.			
	Left	175-837-475/A	each <b>NCA</b>
	Right	175-837-476/A	each <b>NCA</b>
<b>Front 1/4 window seal</b> . 5 door			
	Plain, left or right	173-845-217	each <b>£30.80</b>
	Left for trim	171-845-261/A	each <b>£30.00</b>
	Right for trim	171-845-262/A	each <b>£30.00</b>

**FIXED WINDOW AND APERTURE SEALS**



<b>Fixed window seals, without trim</b>			
	Front windscreen, all models, repro	171-845-121	each <b>£25.00</b>
1	Front windscreen, all models, Genuine VW	171-845-121/GEN	each <b>£32.00</b>
2	Rear side seal, 3 door models, left	171-845-321	each <b>£22.50</b>
	Rear side seal, 3 door models, right	171-845-322	each <b>£22.50</b>
	Rear window seal	171-845-521	each <b>£25.00</b>
<b>Fixed window seals, for chrome trim</b>			
	Front windscreen, all models, Genuine VW	171-845-121/A	each <b>£30.00</b>
	Rear side seal, 3 door models, left	171-845-321/A	each <b>£28.50</b>
	Rear side seal, 3 door models, right	171-845-322/A	each <b>£28.50</b>
	Rear window seal	171-845-521/A	each <b>£32.50</b>
3	Chrome trim, 4120mm length, trim to fit	255-853-305	each <b>£20.00</b>
	Joining clip for chrome trim	171-853-339/A	each <b>£5.50</b>
	<b>Tool</b> for fitting chrome window trim	011-898-109	each <b>£34.50</b>

**WINDOW WINDER HANDLE**



1	<b>Winder handle</b> , black plastic Genuine VW	321-837-581/ /01C	each <b>NLA</b>
	<b>Screw</b> for above	N01-426-43	each <b>£0.38</b>
2	<b>Winder handle</b> , chrome/black	321-837-581/BK/CH	each <b>£9.80</b>

**DOOR SEALS, SALOON MODELS**



<b>Front door surround seal</b> left or right			
	3 door, repro	171-837-911/2	each <b>£20.80</b>
1	3 door, Genuine VW	171-837-911/H	each <b>£48.00</b>
<b>Front door surround seal</b> left or right			
2	5 door / Caddy, Genuine VW	173-837-911/H	each <b>£48.00</b>
<b>Rear door surround seal</b> , 5 door, Genuine VW			
	Left	173-839-911/E	each <b>£38.95</b>
3	Right	173-839-912/C	each <b>£38.95</b>
	<b>Clip</b> , for above	133-823-717/ /	each <b>£2.80</b>

**DOOR AND WINDOW SEAL KIT**



**EXTRA VALUE KITS**

<b>Left</b> , 3 door	171-898-721	kit <b>£129.00</b>
<b>Right</b> , 3 door	171-898-722	kit <b>£129.00</b>

CABRIOLET APERTURE SEALS, WINDOW SEALS & HOOD SEALS



<b>Front windscreen seal</b>			
1	All models plain	171-845-121	each £25.00
	All models Genuine VW	171-845-121/GEN	each £32.00
<b>Door seal</b>			
2	Left for years 80-83	155-837-911/C	each £95.50
	Left for years repro 84-92, cabriolet	155-837-911/E	each NLA
	Left for years Genuine VW 84-92, cabriolet	155-837-911/EG	each £232.00
	Left for years 80-83	155-837-912/C	each £95.50
	Right for years repro 84-92, cabriolet	155-837-912/E	each £137.00
	Right for years Genuine VW 84-92	155-837-912/EG	each £150.50
3	<b>Rear window seal</b> Genuine VW	155-845-521	each £59.10
<b>Seal hood to door glass. MK1 Golf cabriolet</b>			
4	Left	155-871-357/E	each £112.45
	Right	155-871-358/E	each £112.45
<b>Seal hood to rear quarter glass MK1 Golf cabriolet</b>			
	79-81 left	155-871-361	each NLA
	81-89 left	155-871-361/B	each £62.70
5	89>	155-871-361/D	each £105.89
	79-81 right	155-871-362	each £96.70
	81-89 right	155-871-362/B	each £64.60
	89>, Genuine VW	155-871-362/D	each £113.96
<b>Seal, hood to glass, centre right, Golf MK1 cabrio</b>			
6	89>	155-871-362/D	each £113.96
<b>Top rear window seal</b>			
	Left	155-871-369/D	each £41.90
	Right	155-871-370/D	each £41.90
<b>Screen top seal</b>			
		155-871-349/C	each £175.40

**Tip: For outer rear scrapers, cut down opposite side fronts.**

7	<b>Header bar clamping strip</b>	155-871-049	each £33.60
<b>Outer scraper, front, 88&gt;</b>			
	Left, trim rear	155-837-473/C	each £30.00
	Right, trim rear	155-837-474/C	each £30.00
<b>Inner scraper, Left and right</b>			
	Seal, door corner piece, 79-88	155-837-475/C	each £33.30
8	Left	155-837-915/A	each £35.30
9	Right	155-837-916/A	each £34.30
	89>		
	Left	155-837-915/B	each £40.80
	Right	155-837-916/B	each £40.80
<b>B pillar seal</b>			
	Left >89	155-847-329/C	each NCA
	Left 89>	155-847-329/F	each £138.70
	Right >89	155-847-330/C	each NCA
10	Right 89>	155-847-330/F	each £156.10
<b>C post seal</b>			
	Left	155-871-409/A	each £47.26
	Right	155-871-410/A	each £52.50
<b>Tailgate seal, Genuine VW</b>			
		155-827-705	each £78.60
<b>Rear side trim cover</b>			
	Left	155-871-413/A	each £6.00
	Right	155-871-414/A	each £6.20

WINDOW SEAL KITS



EXTRA VALUE KITS

<b>Seal kit, for 3 Door. Front, rear and 2x side - for plain without trim</b>	171-898-121	kit	£72.50
<b>Seal kit, for 3 Door. Front, rear and 2x side - for chrome insert trim</b>	171-898-121/A	kit	£85.00

REAR OPENING QUARTER WINDOWS



EXTRA VALUE KITS

<b>Clear, 3 door</b>	WC845301	kit	£290.00
<b>Green, 3 door</b>	WC845301G	kit	£290.00



**WINDSCREEN**



Please call to check availability of Jetta, Cabriolet, Caddy and Scirocco specific glass. The windscreens are the same for Golf, Jetta, Caddy and cabriolet models.

<b>Clear screen</b>	161-845-101	each	<b>£75.00</b>
<b>Green tint</b>	161-845-101/A	each	<b>£75.00</b>

**FRONT 1/4 LIGHT GLASS**



<b>Clear, fixed</b>			
Left	171-845-251	each	<b>£23.20</b>
Right	171-845-252	each	<b>£23.20</b>
<b>Clear, opening</b>			
Left	171-845-245/D	each	<b>£118.00</b>
Right	171-845-246/D	each	<b>£118.00</b>
<b>Green tint</b>			
Left	171-845-251/A	each	<b>£36.60</b>
Right	171-845-252/A	each	<b>£36.60</b>

**FRONT DOOR GLASS**



<b>3dr, clear,</b>			
Left	171-845-201	each	<b>£33.60</b>
Right	171-845-202	each	<b>£33.60</b>
<b>3dr, green tint</b>			
Left	171-845-201/A	each	<b>£48.70</b>
Right	171-845-202/A	each	<b>£48.70</b>
<b>5dr, clear</b>			
Left	173-845-201	each	<b>£45.00</b>
Right	173-845-202	each	<b>NCA</b>
<b>5dr, green tint</b>			
Left	173-845-201/A	each	<b>NCA</b>
Right	173-845-202/A	each	<b>£41.20</b>

**REAR FIXED 1/4 GLASS, 3 DR MODELS**



<b>All years, clear</b>			
Left	171-845-301	each	<b>£36.50</b>
Right	171-845-302	each	<b>£20.00</b>
<b>All years, green tint</b>			
Left	171-845-301/A	each	<b>£22.50</b>
Right	171-845-302/A	each	<b>£44.30</b>

**REAR DOOR GLASS, 5DR MODELS**



<b>All years, clear</b>			
Left	173-845-205	each	<b>£36.10</b>
Right	173-845-206	each	<b>£55.10</b>
<b>All years, green tint</b>			
Left	173-845-205/A	each	<b>£38.10</b>
Right	173-845-206/A	each	<b>£36.95</b>

**REAR 1/4 LIGHT GLASS, 5DR MODELS**



<b>All years, clear</b>			
Left	173-845-215	each	<b>£26.80</b>
Right	173-845-216	each	<b>£26.80</b>
<b>All years, green tint</b>			
Left	173-845-215/A	each	<b>£32.40</b>
Right	173-845-216/A	each	<b>£32.40</b>

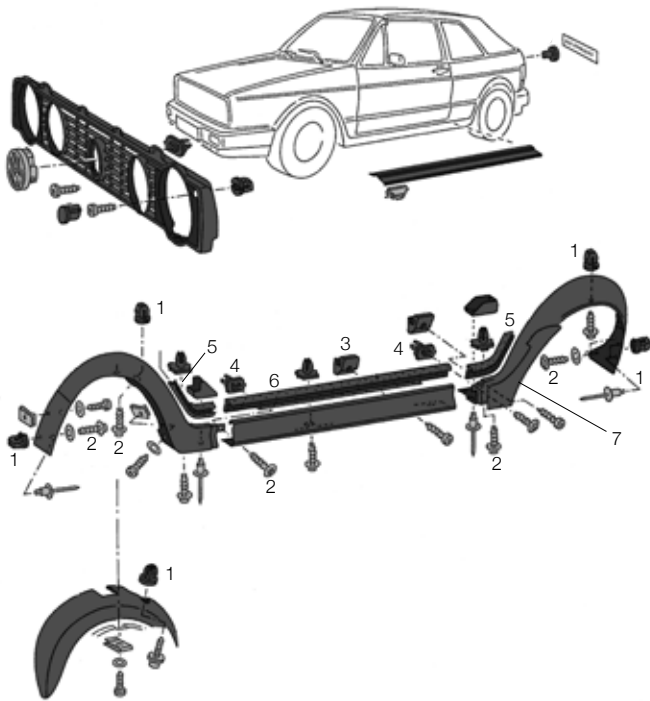
**REAR SCREEN**



<b>Golf, with heater elements</b>			
Clear	171-845-501/A	each	<b>£95.20</b>
Green tint	171-845-501/C	each	<b>£65.00</b>

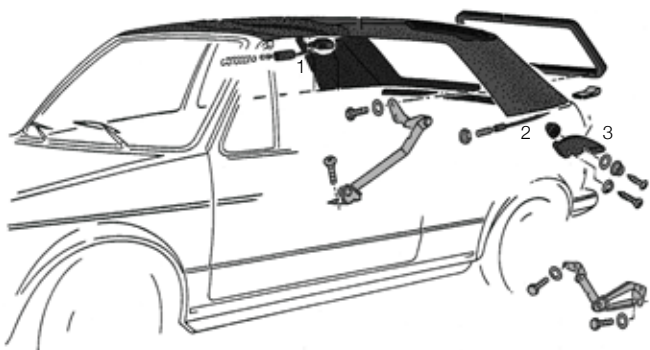


CABRIOLET "CLIPPER" BODYKIT



1	<b>Expanding nut</b>	533-853-139	each	£0.40
2	<b>Screw</b> for above	155-853-149	each	£0.50
	<b>Washer</b> for above	N01-166-53	each	£0.50
3	<b>Clip</b> , sideskirt to sill	155-853-147/A	each	£1.00
4	<b>Expanding nut</b>	873-853-139	each	£1.03
5	<b>Beading</b> (8DJ-Rock Grey Metallic) front or rear arch, per arch.	155-853-977	each	£11.00
6	<b>Beading</b> (8DJ-Rock Grey Metallic) Sideskirt, per side	155-821-521	each	£17.50
7	<b>Arch spat decal</b> , Genuine VW, Left	155-853-827	each	£19.95
	Right	155-853-828	each	£19.95

HOOD FITTINGS



	<b>Hood padding kit</b>	155-898-357	each	£243.00
	<b>Hood clamp</b> , left of right	155-871-384/D /	each	£150.00
	<b>Hook</b> for above	155-871-401/ /	each	£30.90
	<b>Tensioning wire</b>			
1	Side, left and right supplied as kit	155-871-971/A /	each	£7.90
2	Rear	155-871-957/A	each	£68.86
3	<b>Side trim cover</b>			
	Left	155-871-413/A	each	£6.00
	Right	155-871-414/A	each	£6.20

CABRIOLET HOODS



Choice of colours, please quote chassis number when ordering.  
Supplied without rear window cut out - This should be done once fitted.

<b>Heavy duty vinyl</b> , made to order by TMI	155-871-035/A	each	£247.80
<b>German vinyl</b> , made to order by O.E supplier	155-871-035/E	each	£395.00
<b>German Sonnenland fabric</b> made to order by O.E supplier	155-871-035/S	each	£507.00

HOOD BAGS

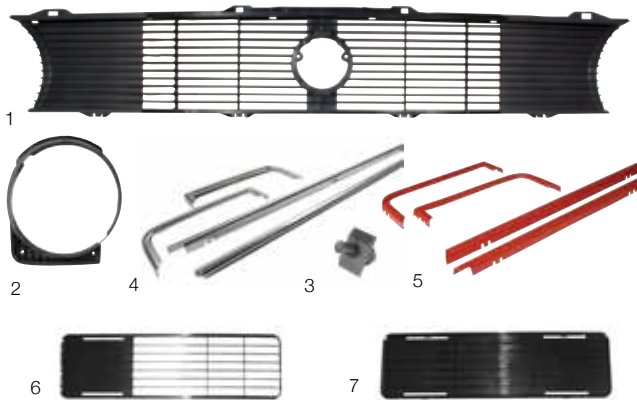


Choice of colours, please quote chassis number when ordering

<b>Heavy duty vinyl</b> >81	155-871-041/E	each	£210.00
82>	155-871-041/L	each	£210.00
<b>German Sonnenland fabric</b> made to order, quote chassis number	155-871-041/S	each	£450.00



**RADIATOR GRILLES**



<b>1</b>	<b>Front grille</b> , Golf Mk1, >8/87, centre piece, Single H/lamp	171-853-653/D	each	<b>£20.00</b>
<b>2</b>	<b>Front grille outer</b> , Golf Mk1 Left side headlamp Right side headlamp	147-853-655 147-853-656	each each	<b>£6.00</b> <b>£6.00</b>
<b>3</b>	<b>Retaining clip</b> , Golf Mk1, 4 required	171-853-695/A	each	<b>£1.00</b>
	<b>Trim set for grille</b> , 4 piece, Golf Mk1,			
<b>4</b>	Chrome	171-898-800/C	set	<b>£85.00</b>
<b>5</b>	Red	171-898-800/R	set	<b>£95.00</b>
	Black	171-898-800/B	set	<b>£95.00</b>
	<b>Lower grille for front apron</b>			
<b>6</b>	Left	171-853-661	each	<b>£25.00</b>
<b>7</b>	Right	171-853-662	each	<b>£25.00</b>
	<b>Grille kit</b> , Mk1 Golf, Centre/outer grille pieces with badge	171-898-653	kit	<b>£50.00</b>

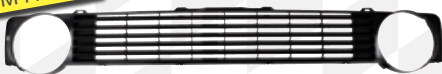
**BADGES FOR RADIATOR GRILLE**



<b>1</b>	<b>Grille badge</b> , VW emblem, 95mm chrome	Golf 321-853-601	each	<b>£19.96</b>
	<b>Clip</b> for front grille badge, T25, Golf Mk1, Scirocco, Cabrio	N01-206-81	each	<b>£0.80</b>
	<b>Front grille GTI badge</b>			
<b>2</b>	Black surround with silver text	171-853-679	each	<b>£19.00</b>
	Black surround with red text	171-853-679/R	each	<b>£9.95</b>
<b>3</b>	<b>Grille badge</b> , VW emblem, black	171-853-601/A	each	<b>£28.50</b>
<b>4</b>	<b>Diesel badge</b> , MK1 Golf and Caddy	171-853-679/A	each	<b>£20.00</b>

**UPGRADES & CUSTOM PARTS**

**DEBADGED GRILLES**



**De-badged grill** for 2 lamp models, grill is black  
WC853GG1 each **£16.50**

**UPGRADES & CUSTOM PARTS**

**GRILLE SPOILERS**



**Grille spoiler**  
WC853EG1 each **£13.40**

**REAR BADGE SCRIPTS**



	<b>Tailgate badges</b>			
<b>1</b>	Volkswagen	171-853-685/A	each	<b>£22.00</b>
<b>2</b>	Golf D, Golf Mk1	171-853-687/P	each	<b>£18.50</b>
	Rabbit Mk1 Golf	171-853-687/J	each	<b>£30.00</b>
<b>3</b>	Golf GTI	171-853-687/K	each	<b>£27.00</b>
	Golf C	171-853-697/C	each	<b>NCA</b>
	Golf LS	171-853-697/LS	each	<b>NCA</b>
<b>4</b>	Rabbit GTI	171-853-687/AL/GX2	each	<b>£30.98</b>
<b>5</b>	Rabbit emblem	171-853-687/E	each	<b>£30.70</b>
<b>6</b>	<b>Badge clips</b>	171-853-939/ /	each	<b>£0.20</b>

**DECALS**



<b>1</b>	<b>Rear tailgate surround</b> , black vinyl, as fitted to GTI/Driver models	171-898-523/A 4AT	each	<b>£40.00</b>
<b>2</b>	<b>Black vinyl</b> , self adhesive, Side Stripes Mk1 GTI, sold as set left and right	161-898-524 4AT	kit	<b>£20.00</b>
<b>3</b>	<b>Fuel filler cap</b> , surround decal	171-898-127	each	<b>£2.60</b>
	<b>Vinyl set</b> , complete GTI vinyl set	171-898-500	kit	<b>£45.00</b>

**WHEEL ARCH TRIMS**



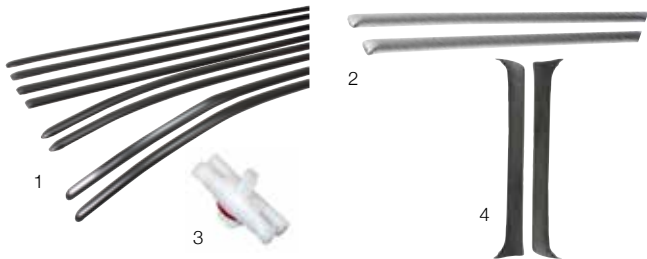
1	<b>Wheel arch trims</b> , Golf Mk1 GTI 74-83	171-898-700	kit	<b>£85.00</b>
2	<b>Screw</b> for inside of arch	N01-396-49	each	<b>£0.40</b>
3	<b>Washer</b> for above	N01-166-53	each	<b>£0.50</b>
4	<b>Pop rivet</b> for above	N90-634-901	each	<b>£0.65</b>

**STONE GUARDS FOR REAR ARCH**



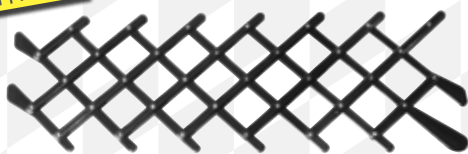
<b>Stone guard</b> ,Golf/Jetta Mk1, (use 2x clips)				
1	Left rear	171-853-931/A	each	<b>£15.00</b>
	Right rear	171-853-932/A	each	<b>£15.00</b>
2	<b>Clip</b> for above	171-853-939/ /	each	<b>£0.20</b>
3	<b>Rivet</b> for above	N03-855-01	each	<b>£0.30</b>

**TRIM**



1	<b>Waistline trim</b> , 8 piece set, Black, Golf Mk1 4 door*	173-898-115/B	set	<b>£62.00</b>
	<b>Waistline trim</b> , 8 piece, chrome, Golf Mk1, 4dr	173-898-115/C	set	<b>£72.00</b>
	<b>Waistline trim</b> , 6 piece, Golf Mk1 3dr			
	Chrome	171-898-113/C	set	<b>£52.00</b>
	Black	171-898-113/B	set	<b>£42.00</b>
	<b>Waistline trim</b> , 6 piece, Mk1 Caddy			
	Chrome	147-898-112/C	set	<b>£122.00</b>
	Black	147-898-112/B	set	<b>£92.00</b>
	<b>Lower trim</b> , Golf Mk1/Cabrio/Jetta			
	Black	171-898-123/B	each	<b>£33.00</b>
2	Chrome	171-898-123/C	each	<b>£35.00</b>
	<b>Trim clips Golf Mk1</b> (clips for Caddy are available, please call)			
	Lower trims, fits all Mk1 types	803-853-139/C	each	<b>£0.50</b>
	Side moulding	155-853-585	each	<b>£0.30</b>
3	Side moulding (BAG OF 50)	113-853-585/C /	50	<b>£12.50</b>
4	<b>A pillar trims</b> , black	171-853-293/294	pair	<b>£49.00</b>

**UPGRADES & CUSTOM PARTS** **RETRO FRESH AIR GRILLE**



**Mesh for window** WC898837 each **£15.00**

**MIRRORS**



<b>Door mirror</b> , Mk1 Golf/Jetta				
1	Left	171-857-501	each	<b>£6.50</b>
	Right	171-857-502/D	each	<b>£6.50</b>
<b>Door mirror</b> , MK1 Late (79>) Manual, RHD				
2	Left	154-857-501	each	<b>£97.40</b>
	Right	154-857-502	each	<b>NCA</b>
<b>Wing mirror</b> , Golf Mk1/ Cabrio 79>.,remote ctrl, convex,				
	Left	154-857-501/A	each	<b>NLA</b>
	Right	154-857-502/A	each	<b>NLA</b>
	<b>Screw</b> for above	N03-302-31	each	<b>£1.20</b>
<b>Door mirror to body seal</b> ,				
3	Early mirrors, flag type	171-857-543/A	each	<b>£2.50</b>
<b>Door mirror</b> , Mk1 Golf/Jetta, Chrome, repro				
	Left	171-857-501/B	each	<b>£30.00</b>
4	Right	171-857-502/C	each	<b>£30.00</b>
<b>Door mirror to body seal</b> - late mirrors, 79-83				
		171-857-543/B	each	<b>£6.20</b>
5	<b>Rear view mirror</b> , anti dazzle	803-857-511/041	each	<b>£60.70</b>
6	<b>Rear view mirror surround</b>	321-857-563	each	<b>£7.20</b>

**UPGRADES & CUSTOM PARTS** **CUSTOM AND RETRO MIRRORS**



<b>Peep mirror</b> stainless head with chrome arm				
1	3"	AC857400	each	<b>£28.40</b>
	4"	AC857401	each	<b>£31.20</b>
2	<b>Fitting bracket</b> for above	AC857400A	each	<b>£4.50</b>
3	<b>Chevy style mirror</b> , 4" stainless head, drilling required to fit	AC857402	each	<b>£35.50</b>
4	<b>Bullet mirror</b> , drilling required to fit, Repro	AC857845	each	<b>£24.50</b>
	Best quality	AC857MTR01	each	<b>£35.80</b>
5	<b>4" Swan neck</b> , drilling required to fit			
	Left	AC857403	each	<b>£49.30</b>
	Right	AC857404	each	<b>£49.30</b>
6	<b>Vitaloni California</b> , black, unpainted, drilling required to fit			
	Left	AC8574607	each	<b>£39.80</b>
	Right	AC8574606	each	<b>£39.80</b>





# INTERIOR

Need seat covers? Please call to discuss custom requirements or fabric availability.

Can't tilt your seats forward to let your passengers in the back? The cable has probably snapped. Don't panic - we sell them.



Suffering from wet carpets? Check your door membranes, heater inlet on scuttle panel or sunroof drain tubes, all could be causing the problem.

## CARPET SETS



<b>Golf carpet set excl. Cab, RHD</b>			
1	Black	172-863-101/BLK	each <b>£174.25</b>
	Specify colour	172-863-101	each <b>£174.25</b>
<b>Golf carpet set excl. Cab, LHD</b>			
	Black	171-863-101/BLK	each <b>£174.25</b>
	Specify colour	171-863-101	each <b>£174.25</b>
<b>Carpet set, Mk1 Cab, RHD</b>			
	Black	154-863-101/BLK	each <b>£179.48</b>
	Specify colour	154-863-101	each <b>£179.48</b>

	<b>Carpet set, Mk1 Cab, LHD, specify colour</b>	155-863-101	each <b>£179.48</b>
2	<b>Sound deadening kit, all models</b>	171-863-919	each <b>£35.00</b>
3	<b>Rear load floor mat, Boot to footwell, MK1</b>	171-860-483	each <b>£65.95</b>
	<b>Carpet spray adhesive, 500ml can</b>	211-898-006	each <b>£14.60</b>
4	<b>Sound damping panel, 40x50, self adhesive</b>	111-867-990	each <b>£5.00</b>
	<b>Sound deadening pad, bitumen, 30x20cm</b>	211-898-005	each <b>£5.50</b>

## DASHBOARD VENT INSERTS



1	<b>Dash vent insert kit. 6 piece kit for use with vinyl covered dashboards only, 1980-&gt;</b>	171-898-461	kit <b>£15.00</b>
2	<b>Air vent, left, black, 81-84</b>	161-819-705	each <b>£6.50</b>
	<b>Air vent, right, black, 81-84</b>	161-819-706	each <b>£6.10</b>

## SEAT FABRIC AND FOAM



<b>Seat fabric, sold by metre by 1.5m width</b>			
	Red/Black	171-881-000	per/m <b>£46.00</b>
1	White/Black	171-881-000	per/m <b>£46.00</b>
2	Yellow/Black	171-881-002	per/m <b>£40.00</b>
3	Series 2 GTI, red stripe	171-881-003	per/m <b>£62.50</b>
4	Grey stripe	171-881-004	per/m <b>£45.00</b>
5	Black bolster fabric	171-881-005	per/m <b>£45.00</b>
	Series 2 GTI, green/grey stripe	171-881-006	per/m <b>£62.50</b>
	Foam, seat backrest, outer	171-881-775/AM	each <b>£171.00</b>
	Foam, seat base left support	841-881-377/A	each <b>£72.00</b>
	Foam, centre seat base	841-881-377/C	each <b>£72.00</b>
	Foam, seat base right support	841-881-378/A	each <b>£72.00</b>
	Foam, seat backrest, centre	811-881-777/A	each <b>£46.30</b>
6	Recaro seat bolster, left side (L or R side)	191-881-034/RE	each <b>£52.50</b>
	Recaro seat bolster, right side (L or R side)	191-881-035/RE	each <b>£52.50</b>

## HEADLINING



<b>2 Door models, non sunroof.</b>			
	White	171-867-501	each <b>£117.00</b>
	Black	171-867-501/BLK	each <b>£97.50</b>
<b>4 Door models, non sunroof, please specify colour</b>			
		173-867-501	each <b>£94.42</b>
<b>2 Door models, for sunroof models.</b>			
	White	171-867-501/A	each <b>£97.50</b>
	Black	171-867-501/A/BLK	each <b>£97.50</b>
<b>4 Door models, for sunroof, specify colour</b>			
		173-867-501/A	each <b>£94.42</b>
	<b>Headliner clip, 12 per car</b>	171-867-549	each <b>£0.50</b>
<b>Cabriolet headliners for &gt;81, specify colour</b>			
		20-4130	each <b>£176.40</b>
	85>, specify colour	20-4132	each <b>£176.40</b>
1	Caddy, all models, white	147-867-501	each <b>£80.87</b>
	Caddy, all models, black	147-867-501/A	each <b>£80.87</b>
	<b>Headliner bow</b>	171-867-535/A	each <b>£1.96</b>
	<b>Bow end caps</b>	311-867-649	each <b>£0.70</b>
2	<b>Headlining clip</b>	321-867-838/01C	each <b>£0.65</b>

DOOR PANELS & FITTINGS



<b>Door panels</b> , for Cabriolet, specify colour	155-867-001	each	<b>£166.66</b>
<b>Door card cap</b> (upper plastic moulding at top of door card)			
Left	155-867-219	each	<b>£59.95</b>
Right	155-867-220	each	<b>£77.90</b>
<b>1 Door cards</b> , front pair	171-867-001	each	<b>£110.50</b>
<b>Caddy door cards</b>	173-867-001	each	<b>£121.00</b>
<b>Clip</b> for above	823-867-299	each	<b>£0.20</b>
<b>Speaker grille</b>			
Left	171-867-149	each	<b>NCA</b>
Right	171-867-150/A/01C	each	<b>£14.40</b>
<b>Screw</b> for above and door pocket to panel,	N01-396-626	each	<b>£0.80</b>
<b>Grab handle</b> , black, left or right	113-867-171/F /041	each	<b>£21.50</b>
<b>Screw</b> for above	N01-394-61	each	<b>£0.50</b>
<b>2 Door top moulding set</b> , black, pair	171-898-219	pair	<b>£59.95</b>
<b>Door top moulding set</b> , black, cabriolet, pair	155-867-219	pair	<b>£59.95</b>

TMI DOOR PANELS



<b>Golf</b> , 75-84, 2 door, full set	10-4021	set	<b>£209.00</b>
<b>Jetta</b> 75-84, 2 door, full set,	10-4022	set	<b>£209.00</b>
<b>Golf/Jetta</b> 75-84, 4 door, full set	10-4023	set	<b>£209.00</b>
<b>Cabrio</b> 80-93, full set	10-4125	set	<b>£209.00</b>
<b>Caddy</b> , 2 doors only	10-4004	set	<b>£129.10</b>
<b>Fabric insert</b> , cabriolet only, set of 4	11-4125	set	<b>£411.00</b>

SEAT LIFTER HANDLE



<b>1 Seat lifter handle</b> - left or right	113-881-633/E /01C	each	<b>£9.90</b>
<b>2 Spring clip</b> for all of above	311-881-247	each	<b>£0.40</b>
<b>3 Surround for lifter handle</b>	371-881-607/ /01C	each	<b>£7.90</b>

SEATBELT



<b>1 Upper plastic cover</b> for seatbelt mount, black	321-857-719	each	<b>£7.20</b>
<b>2 Seatbelt</b> , assy, front, 3 point 8/78-7/83	171-857-705/BD	each	<b>£102.00</b>
<b>3 Bracket</b> , seatbelt guide (by rear seat)	171-857-837	each	<b>£5.70</b>
<b>4 Cap</b> , for roof grab handle	171-857-605/CAP	each	<b>£4.10</b>

PARCEL SHELF AND LUGGAGE AREA



<b>1 Parcel shelf</b> , black	171-867-769	each	<b>£114.50</b>
<b>Shelf retaining strap</b> , black	171-867-779/A	each	<b>£2.80</b>
<b>Parcel shelf side supports</b>			
2 Left	171-867-761/H/01C	each	<b>£31.20</b>
Right	171-867-762/H/01C	each	<b>£31.20</b>
<b>3 Trim clip</b> , parcel shelf	155-867-787	each	<b>£5.40</b>

FRONT SEAT BASE



<b>1 Upper seat guide piece</b>	321-881-203/ /909	each	<b>£2.80</b>
<b>Bolt</b> for fastening seat at front, allen head. M6x10	N01-475-06	each	<b>£0.60</b>
<b>Domed head nut</b> for above	N01-112-14	each	<b>£0.70</b>
<b>Washer</b> for above	N01-200-64	each	<b>£0.18</b>
<b>2 Clinch bolt</b> for seat, front	171-881-229/B	each	<b>£9.90</b>
<b>Rear guide bush</b> , all models			
Inner	191-881-213	each	<b>£2.50</b>
Outer	171-881-213/B	each	<b>£2.50</b>
<b>Bush</b> for back rest lock, plastic -7/89 inc GTI not Recaro	171-881-299/C/01C	each	<b>£3.00</b>
Recaro seat, all years	191-881-299	each	<b>£13.30</b>
<b>Screw</b> for above, all models	N01-414-05	each	<b>£0.90</b>
<b>Washer</b> for above	N01-166-610	each	<b>£0.60</b>

SEAT TILT CABLES



<b>Wire cable</b> 363mm	171-881-595/C	each	<b>NCA</b>
<b>Wire cable inner</b> , 765mm	171-881-596/D	each	<b>£18.20</b>
<b>Seat cable</b> , Recaro seat, outer/ inner	191-881-595/A	each	<b>£16.40</b>

FRONT SEAT BACKREST



<b>Trim for hinge with hole</b> , black			
Left	171-881-479/B /01C	each	<b>£7.50</b>
Right	171-881-480/B /01C	each	<b>£7.50</b>
<b>Trim for hinge without hole</b> , black			
Left	171-881-477/C /01C	each	<b>£9.50</b>
Right	171-881-478/C /01C	each	<b>£10.50</b>
<b>Grip pin</b> for above, black	171-881-500/01C	each	<b>£0.80</b>
<b>Reclining winder knob</b> , Recaro all years, black	171-881-671/ /041	each	<b>£11.00</b>
<b>Screw</b> for above	N01-020-85	each	<b>£0.40</b>
<b>Guide for headrest</b> , 8/75	811-881-939/01C	each	<b>£11.00</b>
<b>Retaining clip</b> for Headrest Guide, 2 per seat	443-881-743	each	<b>£2.80</b>



**UPGRADES & CUSTOM PARTS**

**MOMO STEERING WHEELS**



1	<b>Momo Team</b> , 280mm, black leather with black aluminium centre	WC400MO280TEA	each	<b>£160.00</b>
	<b>Momo Team</b> , 300mm, black leather with black aluminium centre	WC400MO300TEA	each	<b>£154.96</b>
2	<b>Momo Jet</b> , 320mm, black leather with carbon inserts	WC400MO320JET	each	<b>£171.00</b>
	<b>Momo Jet</b> , 350mm, black leather with carbon inserts	WC400MO350JET	each	<b>£195.50</b>
3	<b>Momo Tuner</b> , 320mm, black with red stitching, black centre	WC400MO320TUNB	each	<b>£144.00</b>
	<b>Momo Tuner</b> , 350mm, black with red stitching, black centre	WC400MO350TUNB	each	<b>£181.00</b>
4	<b>Momo Tuner</b> , 320mm, black with red stitching, anthracite centre	WC400MO320TUNC	each	<b>£155.00</b>
	<b>Momo Tuner</b> , 350mm, black with red stitching, anthracite centre	WC400MO350TUNC	each	<b>£147.00</b>
5	<b>Momo Millennium</b> , 320mm, black leather with chrome detailing	WC400MO320MIL	each	<b>£202.00</b>
	<b>Momo Millennium</b> , 350mm, black leather with chrome detailing	WC400MO350MIL	each	<b>£195.00</b>

**UPGRADES & CUSTOM PARTS**

**BOSS KIT FOR MOMO WHEELS**



	<b>Small spline models</b> , typically >7/87, 16mm spline	WC400MOSSB	each	<b>£61.30</b>
1	<b>Large spline models</b> , typically 8/87<, 26mm spline	WC400MOLSB	each	<b>£60.90</b>

**UPGRADES & CUSTOM PARTS**

**MOUNTNEY STEERING WHEELS**



1	<b>Boss</b> , 76-88 models	MB045	each	<b>£23.50</b>
2	<b>13.5" Classic</b> , black spokes with holes	M33SPLB	each	<b>£59.70</b>
3	<b>13.5" Nostalgia</b> , brushed spokes with holes	M353SPW	each	<b>£86.50</b>
4	<b>13.5" Classic</b> , chrome spokes with holes	M33SPCW	each	<b>£98.40</b>

**UPGRADES & CUSTOM PARTS**

**NARDI STEERING WHEELS**



1	<b>Nardi Leader</b> , black & red leather, 350mm	WC400001	each	<b>£229.96</b>
2	<b>Nardi Leader</b> , black & blue leather, 350mm	WC400002	each	<b>£215.95</b>
3	<b>Nardi Leader</b> , black & grey leather, 350mm	WC400003	each	<b>£215.95</b>
4	<b>Nardi Twin</b> , black punched leather, 350mm	WC400004	each	<b>£299.95</b>
5	<b>Nardi Challenge</b> , black leather, 350mm	WC400005	each	<b>£205.00</b>
6	<b>Nardi Competition</b> , black leather, 330mm	WC400006	each	<b>£198.00</b>
7	<b>Nardi Classic</b> , wood with satin spokes, 390mm	WC400007	each	<b>£282.00</b>
8	<b>Nardi Classic</b> , wood with gloss spokes, 390mm	WC400008	each	<b>£275.00</b>
9	<b>Nardi Classic</b> , black leather, 340mm	WC400009	each	<b>£246.95</b>
10	<b>Nardi Classic</b> , black suede, 330mm	WC400010	each	<b>£265.96</b>
11	<b>Nardi I Basic</b> , black leather, 350mm	WC400011	each	<b>£299.95</b>
	<b>Steering wheel boss</b> , 74-88	WC400031	each	<b>£67.95</b>

**UPGRADES & CUSTOM PARTS**

**BOSS KIT FOR GRANT WHEELS**



**Note:** You can fit this to 88+ cars by removing the spline adapter fitted on the steering column. Call for advice.

	<b>Small spline models</b> , typically >7/87, 16mm spline	AC400GT3568	each	<b>£28.10</b>
--	---	-------------	------	---------------



**UPGRADES & CUSTOM PARTS**

**GRANT STEERING WHEELS DEEP DISH**



1	<b>10" Chain Link</b> , chrome chain links and spokes	AC400GT741	each	<b>£123.90</b>
2	<b>10" Deep Dish</b> , black rubber rim with polished spokes	AC400GT833	each	<b>£53.70</b>
3	<b>11.5" Deep Dish</b> , black rubber rim with polished spokes	AC400GT834	each	<b>£53.70</b>
	<b>12.5" Deep Dish</b> , black rubber rim with polished spokes	AC400GT836	each	<b>£51.50</b>
4	<b>13.5" Deep Dish</b> , black rubber rim with polished spokes	AC400GT838	each	<b>£63.40</b>

**UPGRADES & CUSTOM PARTS**

**GRANT STEERING WHEELS WOODRIM**



1	<b>13.5" Classic, chrome spokes with holes</b>	AC400GT213	each	<b>£150.10</b>
2	<b>13.5" Classic, black spokes with holes</b>	AC400GT313	each	<b>£101.80</b>
3	<b>13.5" Nostalgia, brushed spokes with holes</b>	AC400GT963-0	each	<b>£176.40</b>

**UPGRADES & CUSTOM PARTS**

**GEARKNOBS**



1	<b>Chrome ball</b> , universal	AC711400	each	<b>£19.94</b>
2	<b>Chrome skull</b> , universal	AC711401	each	<b>£17.50</b>
3	<b>Chrome piston</b> , universal	AC711402	each	<b>£11.20</b>
4	<b>8 Ball</b> , plastic, universal	AC711403	each	<b>£15.50</b>
5	<b>Dice</b> , black, plastic, universal	AC711404	each	<b>£13.96</b>
6	<b>Dice</b> , blue, plastic, universal	AC711404B	each	<b>£13.96</b>
7	<b>Dice</b> , red, plastic, universal	AC711404R	each	<b>£13.96</b>
12	<b>Golf ball gear knob</b> , Kamei, Genuine VW	113-711-141/DNOT	each	<b>£19.50</b>
13	<b>Gear knob</b> , 5 speed, leather	191-711-141/B/01C	each	<b>£7.20</b>
14	<b>VW Motorsport gear knob</b>	191-711-141/VWM	each	<b>£52.50</b>
	<b>Golf ball</b> , 5 speed, Genuine VW	171-711-141/E	each	<b>£27.95</b>

**DOOR LOCK PINS**



1	<b>OE style aluminium</b>	AC8374540	pair	<b>£9.95</b>
2	<b>Billet, thick style</b>	AC837720	each	<b>£9.95</b>
3	<b>Billet, thin style</b>	WC837720	each	<b>£12.50</b>
4	<b>Wolfsburg Edition</b>	AC837725	pair	<b>£15.00</b>
	<b>Black and chrome</b>	AC837722	each	<b>£6.10</b>
5	<b>Rosewood and chrome</b>	AC837711	each	<b>£6.20</b>

**WINDOW WINDERS**



Standard window winders on page 58.

1	<b>Billet, polished, universal fit</b>	AC8378510	pair	<b>£29.30</b>
2	<b>Billet, semi-polished, universal fit</b>	AC8378510B	pair	<b>£42.50</b>
3	<b>Wolfsburg Edition</b>	AC837615	pair	<b>£17.50</b>
4	<b>Black and chrome</b>	AC837610	pair	<b>£8.95</b>
5	<b>Rosewood and chrome</b>	AC837611	pair	<b>£8.60</b>



# ELECTRICAL

As we classify all our parts by VW part numbers, you will find windscreen wipers and blades in this section.



Where is your hazard warning light switch? This will help us identify the correct electrical components for you.

Unsure if the part we sell is the same as yours? Why not email us a photo so we can double check for you. [sales@vwheritage.com](mailto:sales@vwheritage.com)

Car alarms - sorry we don't deal with these or sell parts for them. Speak to your local car audio shop - they should be able to help.



**Hella headlamp RHD**  
114-941-753/H  
£38.95 each



**Heater blower motor**  
251-819-015  
£33.95 each



**Steering lock assembly** 155-905-851  
£13.50 each



**Rear lamps crystal / red M3 style** WC945GS2262  
£65.00 each



**Fuse box 78-83**  
171-941-821/C  
£126.00 each

## ALTERNATORS



Please call to check availability of fitting bolts.

### Petrol models

35 amp, 1100-1300cc -1/80	052-903-017	each	<b>£294.95</b>
35 amp, 1500-1600cc carb, 1600cc GTI -7/78	059-903-017/GX	each	<b>£144.00</b>
45amp, 1100-1300cc, 2/80-12/83	036-903-017/AX	each	<b>£125.00</b>
45 amp, 1500cc carb, 1600cc GTI -7/78	059-903-017/AX	each	<b>£119.00</b>
55amp, 1100cc, 4/74-7/79,	052-903-017/AX	each	<b>£134.00</b>
65 amp, 1100-1300cc, 8/79-12/83	036-903-017/X	each	<b>£136.96</b>
1 65 amp, 1500-1600cc carb 1600cc GTI -7/78	060-903-017/X	each	<b>£185.00</b>
2 65 amp, 1800cc GTI/Cabriolett. 8/81-	049-903-017/CX	each	<b>£125.00</b>

### Diesel models

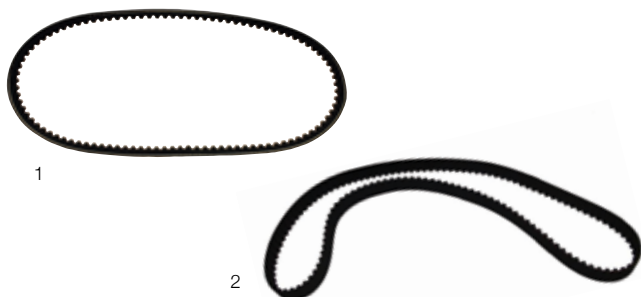
3 45 amp, 1500cc Diesel models, 8/77-7/79	036-903-017/AX	each	<b>£125.00</b>
55 amp, D/ Turbo Diesel models, 8/79-12/83	052-903-017/AX	each	<b>£134.00</b>
65 amp, D / Turbo Diesel models, 8/79-12/83	036-903-017/X	each	<b>£136.96</b>

## STARTER MOTORS



1 1100/1300cc, 8/74-7/83 (Inc £15 surcharge)	036-911-023/G	each	<b>£120.00</b>
1500-1600cc, -7/83, Manual	055-911-023/B	each	<b>£154.00</b>
2 1800cc GTI, Manual	055-911-023/D	each	<b>£216.00</b>
3 1500/1600/1800cc, Automatic	055-911-023/A	each	<b>£154.00</b>
Diesel 8/80-7/83	068-911-023/E	each	<b>£237.00</b>

## ALTERNATOR BELTS



1	1050/1300cc, 8/74 -7/91, 9.5 X 695mm	052-903-137/A/F	each	£4.50
	1600cc/1800cc, 10x950mm (exc Diesel,16v,G60)	026-903-137/C	each	£4.30
2	1500cc/1600cc, 9.5x950mm	050-903-137	each	£4.50
	1800cc 16v /G60, 950x10mm ribbed belt	050-903-137	each	£4.50
	Diesel, -7/83	068-903-137/B	each	£4.00
	Diesel/Turbo diesel 9.5x965mm	068-903-137/D	each	£5.70
	1050/1300cc, 9.6x675mm	052-903-137/F	each	£4.50

## STARTER MOTOR BUSH



All models	171-018-907	each	£3.50
------------	-------------	------	-------

## DISTRIBUTOR



<b>Cap</b>				
	1100-1800cc, Bosch >7/84	113-905-207/C	each	£6.95
1	1100-1300cc, Ducellier, >7/84	036-905-207	each	£18.50
2	1050-1800cc Carb, Bosch, 8/84>1800cc G60 8/91-7/92	027-905-207 030-905-207	each each	£7.96 £6.00
3	Cap with shroud, 1800cc Gti 8v/G60>7/90, 16v all	027-905-207/A	each	£5.95
<b>Distributor seal</b>				
	1100/1300cc, 8/74-7/83	068-145-119	each	£0.30
	1500/1600/1800cc, 8v 8/83-7/92	056-905-261	each	£0.70
4	1600 carb /1800cc 8v inj. 8/83-7/92	026-905-261	each	£0.80
	1800cc 16v only	027-905-261	each	£2.30
	Screw, 1100/1300cc Distributor to head	N01-021-612	each	£1.20
	Washer for above	N01-222-65 / /	each	£0.50
	Square washer for above	N01-540-41	each	£0.40
	Distributor clamp, 1500/1600/1800cc all years	028-905-256	each	£6.50
	Screw for above	N01-024-222	each	£0.80
	Washer for above	N01-224-110	each	£0.40
5	Vacuum hose, 3mm, per metre	N02-035-35	each	£3.90

## ROTOR ARM



<b>1100-1300cc</b>				
	Bosch, all years	052-905-225	each	£5.00
1	Ducellier	052-905-225/A	each	£5.00
<b>1600/1800cc, Carb,</b>				
	Ducellier/ Valeo, 8/83-7/92	026-905-225/K	each	£6.30
2	Bosch, 8/83-7/92	055-905-225/B	each	£6.76
<b>1800cc</b>				
	GTI 8v 8/83-7/92	055-905-225/B	each	£6.76
	16v GTI 8/85-7/87	055-905-225/B	each	£6.76
3	16v/G60 8/87-10/91, 10mm shaft	052-905-225/C	each	£6.95

## POINTS AND CONDENSORS



<b>Points</b>				
1	1100-1300cc, Bosch	036-998-051/A	each	£3.50
	1100/1300cc, Ducellier	036-998-051/B	each	£8.50
2	1500/1600/1800cc, Bosch	059-998-051/B	each	£4.96
<b>Condenser</b>				
3	1100/1300cc, 8/74-7/83, Bosch	052-905-295	each	£5.00
	1100/1300cc, 8/74-7/83, Ducellier	036-905-295/A	each	£10.67
	1500/1600/1800cc, Bosch	060-905-295	each	£4.50

## ELECTRONIC IGNITION



1	TCI unit, for models without points	191-905-351/B	each	£49.50
<b>Hall sender</b>				
	1600/1800cc, Carb/8v GTI, Valeo distributor	026-905-065/A	each	£180.00
2	1600/1800cc, Carb/8v GTI, Bosch distributor	034-998-065	each	£54.80
	1800cc 16v only	052-998-065	each	£149.00

# WE DELIVER WORLDWIDE

## MOST PARTS ARE AVAILABLE FOR INTERNATIONAL SHIPPING





COIL



<b>Models with points</b>			
1	'socket fitting' >7/84	043-905-115/C	each £24.95
	'pin fitting' 8/84>	171-905-115	each £28.00
<b>Models with TCI 'socket fitting'</b>			
2	>7/84	211-905-115/B	each £73.50
	8/84>	211-905-115/D	each £26.00
3	Clamp for coil	111-905-115	each £5.00

**UPGRADES & CUSTOM PARTS**

FLAMETHROWER COILS



These can be fitted to models >7/84, for later models a 'socket' to 'pin' type lead will need to be sourced.

<b>Flamethrower 1</b>			
	models with points, black	AC90540511	each £39.95
	models with points, chrome	AC90540501	each £38.50
<b>Flamethrower 2</b>			
	models with TCI fitted, black	AC90545011	each £38.50
	models with TCI fitted, chrome	AC90545001	each £53.50

SPARK PLUGS



1	1100 >12/83	1100 8/83-7/85, 1300 >7/85	WR7DC+	each £3.50
1	1300cc 8/85>	1800 8V, 1800 Carb	WR7DC+	each £3.50
	1050cc 8/85>	1300 8/85	WR7DC+	each £3.50
	1500 Carb 8/77-12/83		W8DC	each £2.26
	1800cc 16V 2/86-10/91		F6DTC	each £3.00
1	1500-1600 carb >7/77	1600 Carb >12/83	WR7DC+	each £3.50
	1600 Carb 8/83-10/91		W8DTC	each £2.30
2	1600 GTI >7/82		W5DC	each £2.30
	1800 GTI, 8V		WR7DTC	each £6.10

DIESEL IGNITION



Glow plug, all models	068-905-061	each £7.50
-----------------------	-------------	------------



STOCK IGNITION LEADS



1	1050/1300cc	905-QHT-005	each	£26.80
	1500-1800cc	905-QHT-005	each	£26.80
<b>Cabriole</b>				
2	1050-1300cc 8/84-10/91	905-QHT-002	each	£22.95
	1600/1800cc, Carb/GTI 8v 8/83-7/84	905-QHT-005	each	£26.80
3	1600/1800cc, Carb/GTI 8v 8/84-10/91	905-QHT-006	each	£26.80
	1600/1800cc, Carb/GTI 8v, 8/84-, Bosch	905-QHT-006/BOSCH	each	£51.40

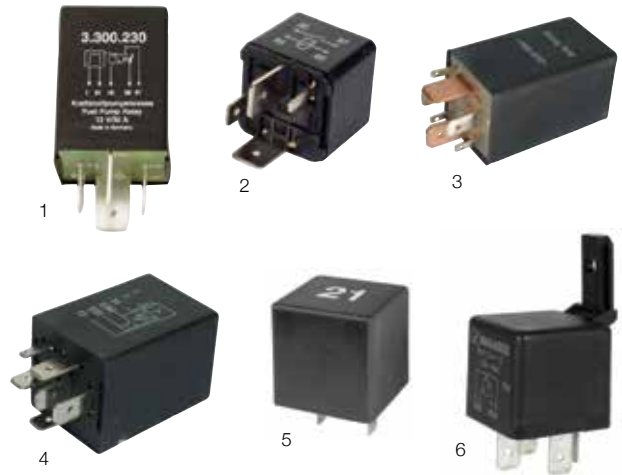
**UPGRADES & CUSTOM PARTS**

MAGNECOR IGNITION LEADS



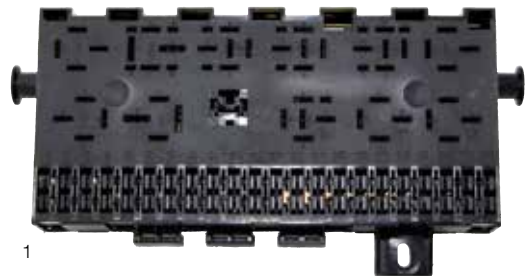
	Golf GTI, 1600cc, >1982, 8mm, blue	WC998M40161	set	£64.00
	Golf GTI, 1800cc, (for use with bosch dizzy cap), 8mm, blue	WC998M40486	set	£67.00
	Golf GTI, 1600cc, >1982, 7mm, black	WC998M47161	set	£63.00
	Golf GTI, 1800cc, (for use with bosch dizzy cap), 7mm, black	WC998M74786	set	£68.50

RELAYS



<b>Fuel pump relay</b>				
1	1600cc GTI	321-906-059/C	each	£43.80
	1800cc GTI	321-906-059/F	each	£23.70
	Cabriole 86-93	321-906-059/G	each	£36.10
2	Inlet manifold heating element, Carb	171-906-383	each	£7.70
3	Glow plug	443-911-261	each	£9.95
<b>Air conditioning</b>				
		171-959-141/A	each	£15.40
<b>Wiper intermittent relay, most Mk1&amp;2 Golf/</b>				
4	Jetta/Sirocco	191-955-529	each	£14.00
<b>Rear screen wash/wipe</b>				
		191-955-529	each	£14.00
5	Indicator relay	111-953-227/D	each	£5.95
6	Horn / fog lamp	141-951-253/B	each	£6.95

FUSES



1



2

3

4

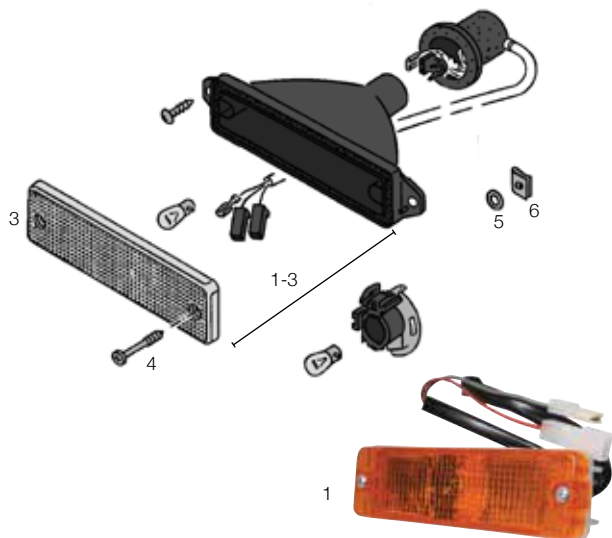
5

Ceramic fuses available - please call.

<b>Fuse box 78-82</b>				
		171-941-821/C	each	NLA
1	Fuse box Mk1 Golf 82-83, Cabriolet	171-941-821/D	each	£65.00
<b>Fuse, blade type</b>				
2	10 amp, red	N01-713-111	each	£0.25
3	15 amp, blue	N01-713-112	each	£0.24
4	20 amp, yellow	N01-713-7	each	£0.24
5	30 amp, green	N01-713-15	each	£0.24



## FRONT INDICATOR



<b>Indicator unit, complete, left or right,</b>			
1	Amber	171-953-055	each <b>£10.30</b>
2	Clear	171-953-055/C	each <b>£10.30</b>
	Smoked	171-953-055/SMK	each <b>£10.80</b>
3	<b>Lens</b>		
	Amber	171-953-141/CL	each <b>£5.95</b>
	Clear	171-953-141/CLR	each <b>£6.10</b>
	Smoked	171-953-141/SM	each <b>£5.60</b>
4	<b>Screw</b> for above	321-953-169/A	each <b>£1.32</b>
5	<b>Washer</b> for above	N01-154-02	each <b>£0.41</b>
6	<b>Speednut</b> for above	N01-544-87	each <b>£0.90</b>

## INNER SPOT LAMPS



<b>Left or right &gt;87</b>			
		155-941-783/A	each <b>£50.10</b>
<b>Left 88&gt;</b>			
		155-941-783/C	each <b>£75.20</b>
<b>Right 88&gt;</b>			
		155-941-784	each <b>£77.50</b>
1	<b>Fitting kit &gt;88</b>	171-998-135	each <b>£7.50</b>
	<b>Fitting kit 88&gt;</b> (2 required)	155-998-135	each <b>£9.60</b>



## HEADLAMPS



Use RHD lamps for UK driving.

<b>Golf, all years</b>			
1	LHD, repro	171-941-753/AR	each <b>£22.50</b>
	LHD, Hella	171-941-753/A	each <b>£39.95</b>
	RHD, repro	114-941-753/HR	each <b>£26.50</b>
2	RHD, Hella	114-941-753/H	each <b>£38.95</b>
<b>Screw, headlamp to body</b>		N01-396-05	each <b>£0.70</b>
3	<b>Sidelight bulb holder</b>	533-941-669	each <b>£4.25</b>

## BULBS



<b>Headlamp</b>			
1	Clear	N01-776-32	each <b>£5.95</b>
2	Cobalt blue	N01-776-32/C	each <b>£10.00</b>
<b>Side light</b>			
		N01-771-72	each <b>£1.00</b>
3	<b>Centre spotlamp</b>	N01-776-22	each <b>£2.59</b>
<b>Front fog light</b>			
		N01-776-22	each <b>£2.59</b>
<b>Indicator</b>			
4	Clear	941-VAG-265	each <b>£1.00</b>
	Amber	941-VAG-265/AMB	each <b>£1.66</b>
<b>Side indicator</b>			
	Clear	941-VAG-501	each <b>£1.00</b>
	Amber	941-VAG-501/AMB	each <b>£1.00</b>
5	<b>Tail lamp</b>	N01-771-85	each <b>£1.00</b>
<b>Brake light</b>			
		941-VAG-265	each <b>£1.00</b>
<b>Reverse light</b>			
		941-VAG-265	each <b>£1.00</b>
<b>Rear fog light</b>			
		941-VAG-265	each <b>£1.00</b>
<b>Number plate</b>			
		N01-771-72	each <b>£1.00</b>
<b>Interior lamp</b>			
		941-VAG-245	each <b>£1.00</b>
<b>Dashboard bulbs for clocks</b>			
6	1.2w, black base	431-919-040	each <b>£1.66</b>
	2w, white base	431-919-040/A	each <b>£1.50</b>
7	<b>Glovebox</b>	N01-772-62	each <b>£2.59</b>
8	<b>Rear luggage compartment</b>	N01-772-52	each <b>£1.00</b>



UPGRADES  
& CUSTOM PARTS

## HEADLAMPS



All suitable for RHD use in UK.

Euro look,			
1	Clear	AC941103B	pair £54.50
2	Black cross hair	AC941103A	pair £74.50
3	Crystal cross hair	WC941NS4031	pair £70.60
4	Crystal clear angel eyes	WC941NS4021AE	pair £71.10
	Smoked crystal	WC941NS4021S	pair £50.50

UPGRADES  
& CUSTOM PARTS

## FRONT INDICATORS



Small bumper models			
1	Crystal clear	WC953FISBCC	pair £12.10
	Smoked crystal	WC953FISBSC	pair £15.50
	LED, crystal clear	WC953FISBCLED	pair £30.90
	LED, smoked crystal	WC953FISBSLED	pair £33.00
Clipper models			
	Clear lens	155-953-141/CPR	pair £55.00
	Smoked lens	155-953-141/SPR	pair £40.00
	Crystal clear	WC953FICBCC	pair £47.30

UPGRADES  
& CUSTOM PARTS

## INNER SPOT LAMPS



Suitable for LHD or RHD models 7/87-10/91

1	Crystal clear	WC941SL780C	pair £47.40
2	Smoked crystal	WC941SL780SC	pair £60.90
3	Crystal clear crosshair	WC941SL780CH	pair £45.30
	Smoked crystal Crosshair	WC941SL780SCC	pair NCA



# CAN'T SEE THE PART YOU NEED LISTED?

CHECK THE PART NUMBER ONLINE IT MIGHT BE AVAILABLE FROM VW CLASSIC PARTS.



RUN BY ENTHUSIASTS, FOR ENTHUSIASTS

# VWHERITAGE.COM

**UPGRADES  
& CUSTOM PARTS**

**CUSTOM  
REAR LIGHTING**



<b>Golf series 1</b>			
1	Crystal M3	WC945GS1262	pair <b>£55.96</b>
2	Crystal smoked	WC945GS1260	pair <b>£58.70</b>
3	Tint, crystal clear/black	WC945GS1259	pair <b>£89.70</b>
<b>Golf series 2</b>			
4	OE style, smoked	WC945GS2263	pair <b>£88.00</b>
5	Crystal M3	WC945GS2262	pair <b>£65.00</b>
6	Clear, Caddy 83-92	WC945C1001	pair <b>£119.90</b>

**REAR LIGHTING**



Please call to check availability of Series 1, Cabriolet and Scirocco.

<b>Series 2 rear lights</b>			
1	Left	171-945-111/N	each <b>£25.00</b>
	Right	171-945-112/N	each <b>£25.00</b>
<b>Caddy rear lights</b>			
2	Left	147-945-111	each <b>£30.90</b>
	Right	147-945-112	each <b>£30.90</b>
	Left, Genuine VW	147-945-105	each <b>£5.10</b>
3	<b>South African spec, red/black, pair</b>	171-945-099	pair <b>£125.00</b>

**SIDE INDICATORS AND NUMBER PLATE LIGHT**



<b>Side repeater</b>			
1	Amber	161-949-117	each <b>£3.00</b>
	Crystal clear	WC949SR01C	pair <b>£12.40</b>
	Smoked	WC949SR01S	pair <b>£12.40</b>
	<b>Bulb holder for above</b>	161-949-111	each <b>£4.25</b>
	<b>Grommet for wiring to bulb holder</b>	447-953-331/A	each <b>£6.10</b>
2	<b>Number plate lamp 8/79&gt;</b>	171-943-021/B	each <b>£8.50</b>
	<b>Screw for above</b>	N01-396-12	each <b>£0.55</b>
	<b>Washer for above</b>	411-945-279	each <b>£0.40</b>
	<b>Number plate light unit, Caddy 83-92</b>	147-943-119	each <b>£3.50</b>

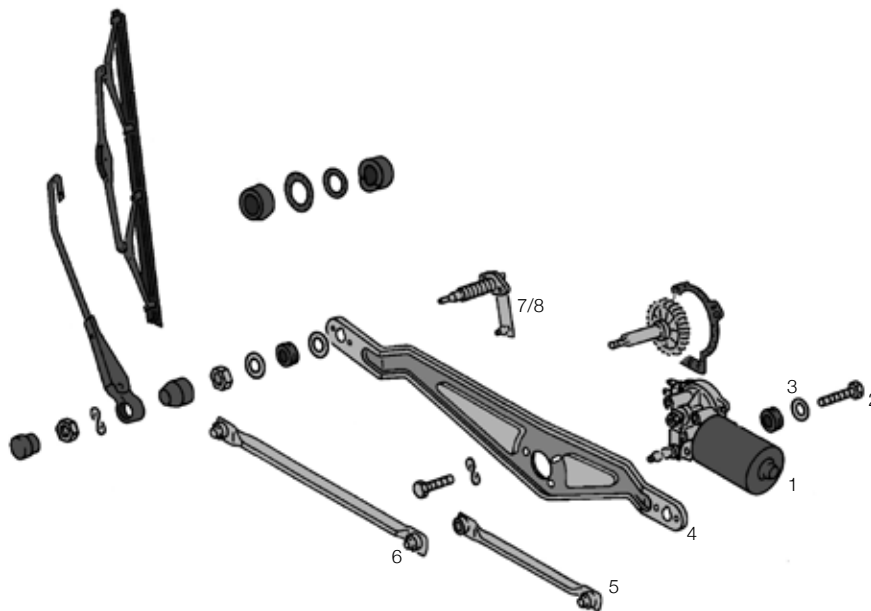
**WINDSCREEN WASHERS**



1	<b>Washer jet</b>		
	Black	111-955-993/A	each <b>£7.96</b>
2	Slot hole non heated	191-955-985/A	each <b>£4.40</b>
3	Slot hole heated	191-955-986/A	each <b>£30.00</b>
4	<b>Wiper motor 81&gt;</b>	251-955-119	each <b>£49.95</b>
5	<b>Washer pump, 1 outlet, &gt;7/85</b>	431-955-651	each <b>£8.95</b>

6	<b>Wash wipe relay</b>	321-955-531/A	each <b>£6.24</b>
7	<b>Washer hose, per meter, Genuine VW</b>	N02-030-12	each <b>£4.50</b>
8	<b>Retaining clip spring for headlight washer</b>	113-955-199	each <b>£1.00</b>
9	<b>Washer jet for headlights, right</b>	171-955-102/C	each <b>£23.27</b>

## WIPER MOTOR AND LINKAGE



<b>Wiper motor</b>			
1 RHD	172-955-113/A	each	<b>NCA</b>
LHD	171-955-113/AX	each	<b>NLA</b>
2 <b>Bolt</b> for above M6x18	N01-021-612	each	<b>£1.20</b>
3 <b>Washer</b> for above	N01-166-615	each	<b>£0.30</b>
<b>Wiper frame</b>			
4 RHD	172-955-611	each	<b>NCA</b>
LHD	171-955-611	each	<b>£25.20</b>

<b>Linkage rod</b>			
5 Left	171-955-325	each	<b>£7.90</b>
6 Right	171-955-326	each	<b>£5.80</b>
<b>Wiper shaft with bearing, LHD</b>			
7 Left	171-955-215	each	<b>NLA</b>
Right	171-955-216	each	<b>NLA</b>
<b>Wiper shaft with bearing, RHD</b>			
8 Left	172-955-215	each	<b>NLA</b>
Right	172-955-216	each	<b>£25.70</b>

## REAR WIPER AND WASHER SYSTEM



1 <b>Washer jet rear</b>	211-955-993	each	<b>£4.90</b>
2 <b>Cap</b> for above	133-955-435	each	<b>£1.60</b>
3 <b>Nut</b> under cap	N01-100-624	each	<b>£0.85</b>
<b>Washer</b> for above	N01-222-65 / /	each	<b>£0.50</b>
<b>Spindle securing nut</b>	7D0-955-243	each	<b>£1.30</b>
4 <b>Spacer ring</b>	171-955-733	each	<b>£4.90</b>
5 <b>Spindle</b> to body seal (2 req'd)	191-955-265	each	<b>£1.00</b>
6 <b>Bolt</b> , spindle to body m16x12	N01-021-226	each	<b>£1.10</b>
<b>Rear wiper motor</b>	171-955-713/B	each	<b>£170.00</b>

## WIPER BLADES



<b>16" blade</b>	161-955-425	each	<b>£5.95</b>
------------------	-------------	------	--------------

## WIPER ASSEMBLY

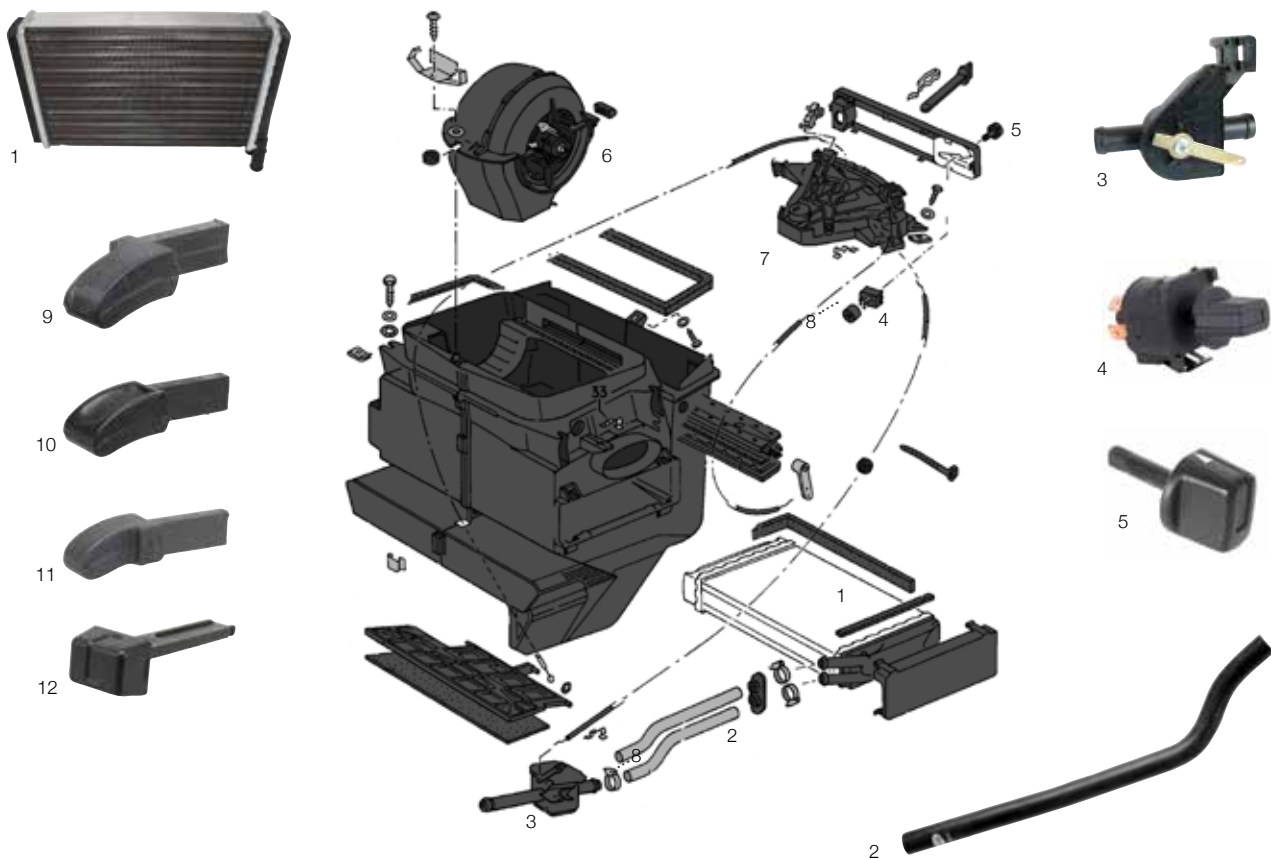


<b>Washer</b> for wiper spindle	481-955-255	each	<b>£2.50</b>
1 <b>Spacer</b> for wiper mechanism	171-955-733	each	<b>NLA</b>
<b>Securing ring</b> for wipers	481-955-237	each	<b>£0.40</b>
<b>Washer</b> for wiper mechanism	171-955-345	each	<b>£1.20</b>
<b>Seal</b> for wiper mechanism	171-955-729	each	<b>£1.90</b>
2 <b>Hose connector</b> 4x30	443-955-665	each	<b>£3.00</b>
3 <b>Rear wiper mechanism spring washer</b>	171-955-349	each	<b>£0.40</b>
<b>Gasket</b> for wiper to body seal RHD	172-955-254	each	<b>£2.10</b>
<b>Inner body seal</b> for sprindile RHD			
Left	172-955-257	each	<b>£9.06</b>
Right	172-955-258	each	<b>£9.60</b>
4 <b>Wiper arm</b> , left arm SA spec	17S-955-407/A	each	<b>£18.50</b>
5 <b>RHD only</b> wiper arm	17S-955-408	each	<b>£18.50</b>
6 <b>Outer body seal</b> for wiper spindle RHD	172-955-251	each	<b>£5.40</b>





HEATER



Note: see heater hoses on page 18.

1	<b>Heater matrix</b>	171-819-031	each	<b>£17.90</b>
2	<b>Water hose - valve to matrix</b>	171-820-371/B	each	<b>£19.50</b>
3	<b>Heater valve</b>	171-819-809/E	each	<b>£8.95</b>
4	<b>Heater blower switch</b>	321-959-511	each	<b>£4.95</b>
5	<b>Knob for above</b>			
	18mm	867-959-513	each	<b>£3.00</b>
	21mm	321-959-513/B	each	<b>£7.20</b>

6	<b>Heater blower motor</b>	251-819-015	each	<b>£33.95</b>
7	<b>Fresh air and heater control unit, 81-84</b>	321-819-045/C	each	<b>£56.60</b>
8	<b>Clip for above</b>	823-819-679	each	<b>£1.50</b>
9	<b>Heater control knob/ lever, upper, &gt;1979</b>	171-819-129/C	each	<b>£2.60</b>
10	<b>Heater control knob/ lever, centre, &gt;1979</b>	171-819-129/D	each	<b>£2.60</b>
11	<b>Heater control knob/ lever, lower, &gt;1979</b>	171-819-129/E	each	<b>£2.60</b>
12	<b>Slider knob, air conditioning, 81-84</b>	171-820-129	each	<b>£6.10</b>



## ENGINE SWITCHES AND SENDERS



<b>Radiator fan switch</b>			
1	2 pin, 95-84c	191-959-481/B	each £9.40
2	3 pin, 95-84 / 102-91c	191-959-481/C	each £16.96
<b>Seal for above</b>			
		N04-380-83	each £1.30
3	<b>Sender hole block off kit</b>	357-198-140/S	each £7.20
4	<b>Retaining spring</b> for 20mm senders	032-121-142	each £0.80
5	<b>Seal</b> for above (20mm senders)	N90-316-802	each £1.75
<b>Oil pressure switch</b>			
	0.25 Bar. Blue / brown	028-919-081/D	each £3.95
	0.3 Bar. Grey	056-919-081/C	each £4.00
	1.8 Bar. White	056-919-081/E	each £4.00
<b>Seal for above</b>			
		N01-381-15	each £0.60
	<b>Coolant level switch</b> (in expansion tank)	251-919-372	each £8.50
<b>Coolant temperature switch</b>			
	White	035-919-369/C	each £5.50
	Black	035-919-369/D	each £10.50
	<b>Oil temperature sender</b> , 1 pin	049-919-563/A	each £5.75

## REVERSE LIGHT SWITCHES



<b>Manual gearbox</b>			
1	1050/1300cc	084-941-521	each £6.00
2	1500/1800cc, 2 pin	020-945-415/A	each £7.50

## IGNITION BARREL AND SWITCHES



1	<b>Ignition/starter switch</b>	111-905-865/LR	each £6.50
<b>Screw for above</b>			
		N04-411-55	each £0.30
<b>Washer for above</b>			
		N01-200-32	each £0.20
<b>Ignition barrel and key</b>			
	>7/87	113-905-855/B /	each £16.50
	8/87>	1H0-905-855/A	each £8.20
2	<b>Steering lock assembly</b>	155-905-851	each £13.50

## INDICATOR SWITCHES



1	<b>Switch</b> , main & dip beam, headlight flasher & parking light	321-953-513/O1C	each £8.00
2	<b>Indicator switch</b> >7/77	111-953-513/F /	each £33.30

## WINDSCREEN WIPER SWITCHES



**MFA - multifunction display operated by button on end of stalk.**

<b>Non MFA</b> , all models	321-953-519	each	£8.00
<b>Cabriolet/Scirocco MFA models</b> for chassis 8/84>	331-953-519/B	each	£57.70

## INTERIOR SWITCHES



1	<b>Headlight switch</b> >7/81	251-941-531/M	each £23.50
2	<b>Headlight switch</b> 8/81>	321-941-531/K	each £25.40
<b>Foglight switch</b>			
	>7/81	251-941-535	each £45.95
	8/81>	321-941-535/B	each £10.20
3	<b>Hazard light switch</b> for chassis 8/81>	161-953-235/B	each £7.50
<b>Heated rear window</b> , chassis			
	>7/81	171-959-621/A /	each £16.20
	8/81>	321-959-621/B	each £8.80
4	<b>Dummy dash switch blank/ cover</b>	861-957-087	each £2.24
5	<b>Blank</b> , switch, centre console	841-863-267/041	each £8.10
6	<b>Centre console switch</b> , facia trim	171-863-267/A/O1C	each £14.00

## INTERIOR LIGHT



1	<b>Interior light</b>	111-947-111/E /	each £7.70
	<b>Interior light</b> , Hella	111-947-111/E/BQ	each £14.95
2	<b>Interior light</b> Cabriolet 79-84	823-947-105/B	each £7.50
<b>Courtesy light switch</b>			
	>7/81	171-947-563/A	each £6.70
	8/81>	113-947-561/H /	each £2.70
<b>Seal for above</b>			
		113-947-565/A /	each £1.96
<b>Screw for above</b>			
		N90-094-901	each £0.70



## SPEEDO CABLES



1

### Left hand drive

1050-1300cc, manual, 1060mm	191-957-803/H	each	£9.20
1600-1800cc, manual, 1100mm long	191-957-803/D	each	£14.90
Automatic models, without ABS, 900mm	191-957-803/B	each	£36.00

### Right hand drive

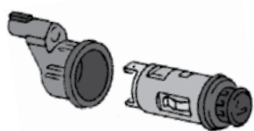
1050-1300cc, manual, 1600mm	172-957-803/T	each	£39.00
1600-1800cc, manual, 1795mm	172-957-803/K	each	£39.00
Automatic models, 1235mm	172-957-803/N	each	£25.00

## SPEEDO DRIVE GEAR AND FITTINGS



1 <b>Drive gear</b> , 1050-1300, manual	084-409-197	each	£1.00
<b>Guide</b> for above	014-409-193/B	each	£10.50
<b>Seal</b> for above	001-301-131	each	£4.50
2 <b>Gasket</b> for 1.5-1.8 drive gears	171-957-861/B	each	£1.50
<b>Drive gear</b>			
3 1600-1800cc, 16 tooth (natural colour)	171-957-821/A	each	£7.40
3 1600-1800cc, 15 tooth (red)	171-957-821/B	each	£9.50
4 <b>Securing ring</b> for above	N90-015-401	each	£0.30
<b>Screw</b> for above	N09-017-33	each	£1.75

## DASHBOARD



<b>Cigarette lighter</b> , Genuine VW	321-998-305	each	£35.00
---------------------------------------	-------------	------	--------

## FUEL GAUGE SENDER UNIT



1

<b>Carb models</b> 8/83>	533-919-051	each	£63.30
1 <b>Injection models</b> 8/78> 7/83	171-919-051/L		£79.70

## HORN



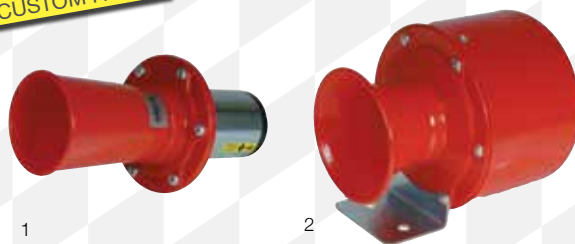
1

2

1 <b>Horn</b>	191-951-113/A /	each	£12.95
<b>Terminal boots</b>	211-906-101/ /	each	£6.30
2 <b>Relay for horn</b>	141-951-253/B	each	£6.95

**UPGRADES  
& CUSTOM PARTS**

## NOVELTY HORNS



1

2

We suggest mounting these face down to avoid water damage.

1 <b>Klaxon</b> makes "Arrrooga!" sound	AC951015	each	£29.95
2 <b>Bull horn</b> , sounds like a Cow!	AC951014	each	£54.50





VDO

**UPGRADES & CUSTOM PARTS**



<b>Tachometer</b> 7000rpm, 80mm			
1	Black	V333051	each <b>£85.50</b>
2	White	V333251	each <b>£114.50</b>
<b>Voltmeter</b> , 8-16v, 52mm,			
3	Black	V332041	each <b>£38.50</b>
4	White	V332241	each <b>£43.50</b>
5	<b>Ammeter</b> , 60amp, 52mm, black	V190031	each <b>£39.50</b>
6	<b>Oil temperature</b> , celcius, 52mm, black	V310012A	each <b>£54.50</b>
7	<b>Oil temperature sender</b> , sump plug, m14x1.5	V323888	each <b>£15.50</b>
8	<b>Oil pressure</b> , 150psi, 52mm, black	V350041	each <b>£39.50</b>
9	<b>Oil pressure sender</b> , 150psi, twin terminal	V360023	each <b>£44.10</b>
10	<b>T piece</b> , to keep original oil pressure switch fitted.	V240850	each <b>£12.10</b>

<b>Water temperature gauge</b> , 100-250°f	V310039	each <b>£46.30</b>
<b>Sender</b> for water temp gauge, m10x1, c or f	V323088	each <b>£36.00</b>
11 <b>Fuel gauge</b> , 52mm, black, use vdo universal sender	V301015	each <b>£36.50</b>
12 <b>Fuel gauge</b> , 52mm, white, use vdo universal sender	V301216	each <b>£42.00</b>
<b>Fuel tank sender</b> , universal	V226001	each <b>£49.96</b>
13 <b>Oil pressure gauge</b> , 52mm	155-919-551	each <b>£36.50</b>
<b>Boost gauge</b> ,		
14 15psi, 52mm, black	V1500512	each <b>£99.50</b>
15 30psi, 52mm, black	V1500522	each <b>£91.90</b>
16 <b>Mounting cup</b> , 52mm	V240100	each <b>£54.50</b>
17 <b>Gauge panel</b> replaces ashtray on centre console din size, replaces radio	V999000 V999001	each <b>£32.20</b> each <b>£29.90</b>

**UPGRADES & CUSTOM PARTS**

AUTOMETER



Comes complete with sender. Metric adapters will be required to fit as fittings are imperial for US market.

<b>Tachometer</b>			
8000rpm, 3 3/8"	AUTOMETER3780	each <b>£149.50</b>	
10000rpm, 5" with shift light	AUTOMETER3904	each <b>£249.50</b>	
<b>Voltmeter</b> , 2 5/8"	AM3592	each <b>£58.90</b>	
<b>Ammeter</b> , 2 5/8"	AM3586	each <b>£73.50</b>	
<b>Oil temperature</b> , 60-170 degrees, 2 5/8"	AM3543-M	each <b>£83.50</b>	
<b>Metric adapter</b> to fit sump -1/8" NPT to M14x1.5	AM2267	each <b>£11.00</b>	

<b>Coolant temperature</b> , 2 5/8"	AM3431-M	each <b>£85.40</b>
<b>Oil pressure</b> , 150psi, 2 5/8"	AM3423	each <b>£90.00</b>
<b>Fuel gauge</b> , 2 5/8"	AM3515	each <b>£59.10</b>
<b>Quartz clock</b> , 2 5/8"	AM3585	each <b>£83.50</b>
<b>Boost gauge</b> , 30psi, 2 5/8"	AM3403	each <b>£105.00</b>
<b>Mounting cup</b> 2 5/8"	AM3204	each <b>£19.00</b>



# BOOKS, TOOLS AND CONSUMABLES

Stuck for a present? VW enthusiasts can never get enough books about Volkswagens!

Bought the parts to do the job - have you got the relevant consumables in stock to make life easy?



Save yourself paying for a mechanic, buy a manual for less than an hour's labour and do the job yourself!

Don't blame your tools! Get the right tool for the job and save yourself a lot of swearing and shouting.

## BOOKS



1



2



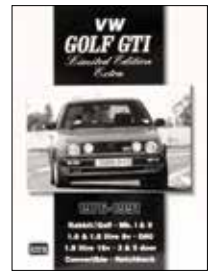
3



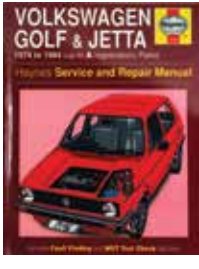
4



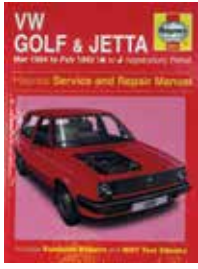
5



6



7



8



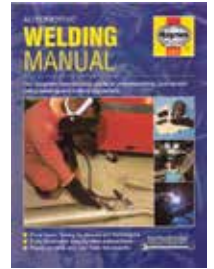
9



10



11



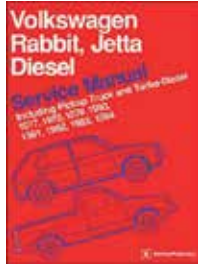
12



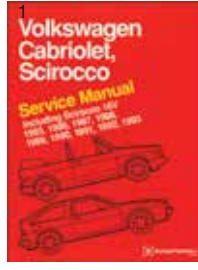
13



14



15



16



17

Not all of these are specific to the first generation Golf, but might still be of interest to you. If you are unsure please ask.

Road & Track on Volkswagens 1978-85			
1	Brooklands Books	000-100-1016	each <b>£13.50</b>
2	VW Golf GTI, The Essential Buyer's Guide,	000-100-1018	each <b>£24.70</b>
3	The VW Scirocco 1974-81 - R.M. Clarke	000-100-1020	each <b>£14.80</b>
Road & Track on Volkswagen 1968-78 - Brooklands Books			
4	Thirty years of the Volkswagen Golf & Rabbit	000-100-1022	each <b>£24.70</b>
5	Volkswagen Golf GTI - James Richardson	000-100-1023	each <b>£24.70</b>
6	VW Golf GTI, Limited Edition Extra 1976-91	000-100-1024	each <b>£17.20</b>
Haynes Manual, Mk1 Golf, Jetta, Petrol Models '74-84			
7		000-100-1011	each <b>£24.50</b>
Haynes Manual, Mk1 Golf, Jetta, Scirocco, Petrol Models '74-84			
8		000-100-1010	each <b>£24.50</b>
8	Haynes Manual, Mk2 Golf & Jetta, Petrol 1984-92	000-100-1013	each <b>£24.70</b>

Haynes Manual Mk2 Scirocco Petrol 1.5 1.6 1.8 '82-90			
9		000-100-1012	each <b>£27.10</b>
Golf GTI Performance Manual - By Tim Stiles			
10		000-100-1014	each <b>£24.70</b>
VW Golf & Jetta Restoration Manual - By Lindsay Porter			
11		000-100-1015	each <b>£24.70</b>
12	Haynes, Automotive Welding Manual	000-100-064	each <b>£21.00</b>
13	Haynes, ICE (In Car Entertainment) Manual	000-100-045	each <b>£23.94</b>
14	Bentley Manual, Rabbit, Scirocco 1980-1984	000-100-1030	each <b>£52.50</b>
15	Bentley Manual, VW Rabbit, Jetta Diesel 1977-1984	000-100-1029	each <b>£62.50</b>
16	Bentley Manual, Cabriolet & Scirocco 1985-1993	000-100-1027	each <b>£51.90</b>
17	Bentley Manual, VW GTI, Golf & Jetta: 1985-1992	000-100-1028	each <b>£74.10</b>







Accelerator cables	48	Crankshaft oil seal	11	Ignition barrel	77	Spoiler, front	50
Accelerator pedal	49	Custom door mirrors	63	Ignition leads	71	Spot lamps, custom	73
Air filters	22,23	CV boot	31	Ignition switch	77	Stainless brake hoses	41
Alloy wheels	42,43	CV joint	31	Indicator switches	77	Starter motors	68
Alternator belts	69	Dashboard parts	64	Indicators, custom	73	Steering column	32
Alternators	68	Decals	62	Indicators, front	72	Steering lock	77
Anti roll bar, front	34	Diesel injectors	27	Indicators, side	74	Steering rack	33
Anti roll bars, performance	37	Diesel vacuum pump	15	Inlet manifold gaskets	14	Steering wheels	66,67
Anti roll bar, rear	35	Dipstick	12	Interior	64	Stickers	62
Antifreeze	10,12,81	Distributor	69	Interior light	77	Stone guards	63
Automatic choke	20	Door handles	54	Interior switches	77	Stretch bolts	14
Automatic gearbox parts	31,48	Door hinges	53	Keyring	45	Strut braces	37
Autometer gauges	79	Door locks	53	Lowering springs	37	Stub axle, rear	34
Badges, front and rear	62	Door mirrors	63	Main bearings	10	Sump	12
Ball joint	33,34	Door panels	65	Manuals	80	Sunroof parts	57
Big end bearings	10	Door seals	58	Mk3 Golf upgrades	15	Suspension top mount	34
Blower motor	76	Door window seals, front and rear	58	Novelty horns	78	Suspension, front	34
Body trim	63	Doors, repair panels	52	Number plate light	74	Suspension, rear	35
Bonnet	51	Drive belts	69	Oil	10,12,81	Suspension, rear Caddy	36
Bonnet bra	51	Electric fuel pumps	26	Oil breather	14	Tailgate, Caddy	56
Bonnet cable	51	Engine mounts	24,25	Oil cooler	16	Tailgate, hatchback	56
Books	80	Exhaust clamps	29	Oil filler cap	15	Tailgate, Cabriolet	57
Boot strut	56	Exhaust downpipe gaskets	14	Oil filter	12	Tailgate lock	56
Boss kits	66	Exhaust manifold	29	Oil hose	15	Tailgate seal	56
Brake backing plates, front	38	Exhaust mounts	24,29	Oil pressure switch	77	Tappets	15
Brake caliper, rear	39	Exhausts	28,29	Oil pump	12	Temperature senders	77
Brake calipers, front	38	Expansion tank	15	Parcel shelf	65	Thermo switches	77
Brake discs, front	38	Floorpan	52	Performance air filters	23	Thermostat	17
Brake discs, rear	39	Front grille	62	Performance brake discs	41	Throttle body parts	22
Brake drums	39	Front slam panel	51	Performance brake pads	41	Tie rod	33
Brake fluid	81	Front spoilers	50	Performance camshaft pulleys	13	Timing belt kits	15
Brake fluid reservoir	40	Front valance	51	Performance camshafts	13	Timing chain	15
Brake hoses, front and rear	41	Front wings	52	Performance exhausts	29	Tools	81
Brake master cylinder	40	Front wings, inner	52	Performance ht leads	71	Top mount	34
Brake pads, front	38	Fuel caps	27	Performance suspension	21,36,37	Trim	63
Brake pipe kits	41	Fuel filler repair	55	Piston rings	15	T-shirt	45
Brake pressure regulator	40	Fuel filters	27	Points	69	Urethane bush kits	36
Brake servo	40	Fuel gauge sender	78	Polyurethane bushes	36	Valve caps	44
Brake shoes	39	Fuel hoses	26	Pulleys	17	VDO seals	15
Bulbs	72	Fuel injectors	26	Radiator cap	15	VDO	79
Bumpers	50	Fuel pumps	26	Radiator grilles	62	Vernier pulleys	13
Cable, handbrake	40	Fuel tank fittings	27	Radiators	15	Waistline trim	63
Cabriolet hoods	61	Fuse boxes	71	Rain tray	51	Water pipes	18,19
Cabriolet hood seals	59	Fuses	71	Rear axle	35	Waterpumps	17
Cam belt covers	15	Gasket kits	14,20	Rear lights	74	Wax stat	22
Cam belt kits	15	Gauges, custom	79	Rear lights, custom	74	Weber carburettors	20
Cam belt tensioners	15	Gear knob, custom	67	Rear valance	55	Wheel accessories	43,44
Cam chain	15	Gear knob	46	Rear wheel arch	55	Wheel arch trims	63
Cam followers	15	Gear shift parts	46	Rear wiper assembly	75	Wheel bearing kit, front	31,34
Camshaft kits	13	Gear shift repair kits	46	Relays	71	Wheel bearing kit, rear	35
Carb cleaner	81	Gearbox oil	81	Reverse light switches	77	Wheel bolts	44
Carburettors	20	Gearbox parts	31	Rocker cover gaskets	14,15	Wheel cylinders	40
Carburettor flanges	20	Glass	60	Rotor arm	69	Wheel hub, front	31,34
Carb rebuild kit	20	Glow plug	70	Samco coolant hoses	19	Wheel spacers	44
Carpet sets	64	Grille spoilers	62	Scirocco rear panels	55	Wheels	42,43
Chassis, repair sections	52	Hall sender	69	Screenwash	10,12,81	Winder mechanism, front and rear	58
Choke	20	Handbrake assembly	40,49	Scuttle panel	51	Windows	59,60
'Clipper' bodykit	61	Head bolts	14	Seat cables	65	Window seals	58,59
Clutch cables	48	Head gasket kits	14	Seat fabric	64	Window winders, custom	67
Clutch kits	30	Header tank	15	Seat parts	64,65	Window winders, original	58
Clutch release bearing	31	Headlamps	72	Shock absorber, front	34	Windscreen washers	74,75
Coil	70	Headlamps, custom	73	Shock absorber, rear	35	Wing mirrors	63
Coil spring, front	34	Headliner	64	Sill trim	63	Wiper assembly	75
Coil spring, rear	35	Heater matrix	15,76	Sills, inner and outer	52	Wiper blade	75
Coilover suspension	37	Heater system	76	Small end bushes	10	Wiper motor	75
Condenser	69	Horn	78	Sound deadening kit	64	Wiper spindles	75
Coolant flanges	17	Hose clips	19	Spark plugs	70	Wiper switches	77
Coolant hoses	18	Hoses	18	Speedo cables	78	Wishbone	34
Core plug	11	HT leads	71	Spoiler, Duckbill	50		



**NEED ANOTHER CATALOGUE?  
GET YOUR FREE COPY TODAY**



RUN BY ENTHUSIASTS, FOR ENTHUSIASTS  
**VWHERITAGE.COM**

# vwheritage



ORDER ON THE PHONE  
**01273 444 000**

OVER 17,000 PARTS ONLINE  
**VWHERITAGE.COM**



#### **From London or the East:**

- Take the M23 south from London until it becomes the A23. As you approach Brighton, turn onto the A27, in the direction of Worthing.
- Exit the A27 onto the A283 to Shoreham and at the roundabout, take the first exit onto Steyning Road.
- At the roundabout, take the first exit onto Upper Shoreham Road. At the supermarket, opposite the park, turn right onto Eastern Avenue.
- Directly before the level crossing, turn left onto Dolphin Road.

#### **From the West:**

- Exit the A27 onto the A283 to Shoreham and at the roundabout, take the second exit onto Steyning Road.
- At the roundabout, take the first exit onto Upper Shoreham Road. At the supermarket, opposite the park, turn right onto Eastern Avenue.
- Directly before the level crossing, turn left onto Dolphin Road.

**47 DOLPHIN ROAD, SHOREHAM-BY-SEA,  
WEST SUSSEX BN43 6PB  
OVERSEAS TEL. +44 (0) 1273 444 000  
FAX. +44 (0) 1273 454 986**



**Search for Golf parts  
on your mobile.**